

The Speedway splice tray is both easy to use and offers complete flexibility. Featuring an innovative external pathway and pivoting splice holder arrangement, this splice tray combines both fibre management and splicing control in one product. Allows multi-directional routing of entry and exit cables, including cross over, as well as storage of excess fibre. A built in fibre pick can be used to withdraw individual fibres and can be stored in the tray after use, a tray hinge allows access to splices when trays are stacked.

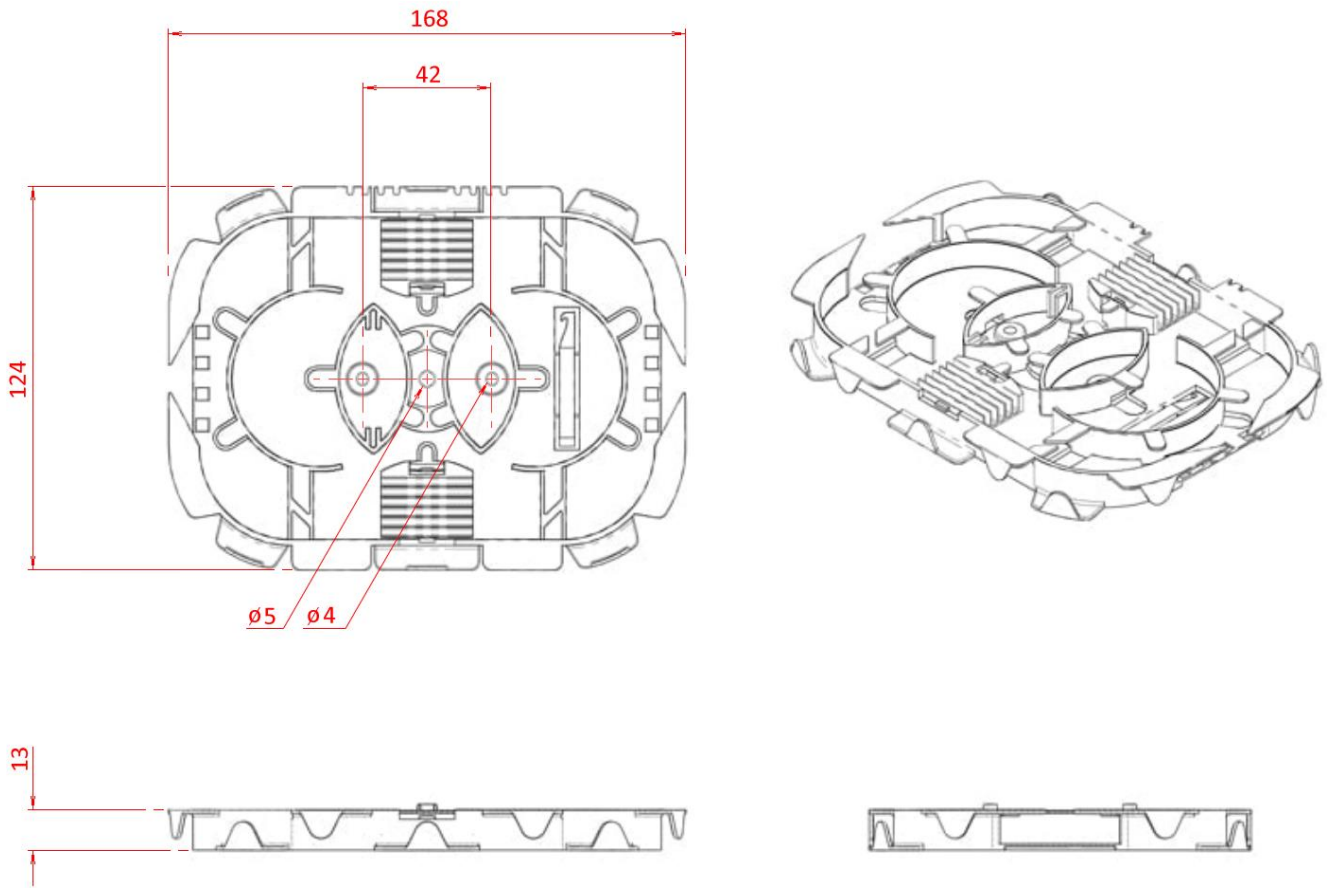
Due to its compact yet accommodating internal dimensions the Speedway splice tray is able to maintain a 30mm bend radius with either 250µm or 900µm buffered fibres and comfortably holds up to 24 splices with either heat-shrink or crimp style splice protectors.

Each tray is supplied with a transparent clip on lid and screw mounted via a central hole, DIN style holes or by use of double sided foam adhesive pads.

Specifications:

Dimensions:	168mm(w) x 124mm(d) x 13mm(h)
Weight:	81g
Material:	ABS, Blue
Operating temp:	-40°C to +60°C
Standards applicable:	TIA/EIA 568.C, ISO/IEC 11801, EN50173, IEC60304, IEC61754.
Compliances:	RoHS, Reach/SVHC

Dimensions:



Features:

Tray hinge.
For mounting
additional splice
trays

Fibre pick storage

Removable fibre pick. Use to
withdraw individual fibres

External fibre
management
channels

Mounting holes for panel

Internal fibre management
channels and cross over
radius protection

