



# evolution wireless G4

## SK 100 G4 | Bodypack Transmitter



### FEATURES

- Robust bodypack transmitter for daily use on stage.
- Easy and flexible wireless synchronization between transmitter and receiver via infrared
- Fast frequency allocation for up to 12 receivers via new linking functionality
- Up to 20 compatible channels
- Up to 42 MHz bandwidth with 1680 selectable frequencies, fully tunable in a stable UHF range
- Transmission Range: up to 100 meters / 300 feet
- High RF output power (up to 30 mW) depending on country regulations

Robust bodypack transmitter for daily use on stage with evolution wireless G4 100 G4 systems.

### DELIVERY INCLUDES

- SK 100 G4 bodypack transmitter
- 2 AA batteries
- quick guide
- safety guide
- manufacturer declaration sheet

### ACCESSORIES

<b>BA 2015</b>	rechargeable battery	Art. no. 009950
<b>L 2015</b>	charger	Art. no. 009828
<b>Ci 1-N</b>	instrument cable	Art. no. 005021
<b>CL 2</b>	microphone cable	Art. no. 004840

### PRODUCT VARIANTS

#### Made in Germany

<b>SK 100 G4-A1</b>	470 - 516 MHz	Art. no. 507585
<b>SK 100 G4-A</b>	516 - 558 MHz	Art. no. 507585
<b>SK 100 G4-GB</b>	606 - 648 MHz	Art. no. 507585
<b>SK 100 G4-G</b>	566 - 608 MHz	Art. no. 507585
<b>SK 100 G4-B</b>	626 - 668 MHz	Art. no. 507585
<b>SK 100 G4-C</b>	734 - 776 MHz	Art. no. 507590
<b>SK 100 G4-E</b>	823 - 865 MHz	Art. no. 507591
<b>SK 100 G4-1G8</b>	1785 - 1800 MHz	Art. no. 507592
<b>SK 100 G4-K+</b>	925 - 937.5 MHz	Art. no. 507593

#### Assembled in USA

<b>SK 100 G4-A1</b>	470 - 516 MHz	Art. no. 507929
<b>SK 100 G4-A</b>	516 - 558 MHz	Art. no. 507930
<b>SK 100 G4-AS</b>	520 - 558 MHz	Art. no. 507931
<b>SK 100 G4-G</b>	566 - 608 MHz	Art. no. 507932
<b>SK 100 G4-B</b>	626 - 668 MHz	Art. no. 507933
<b>SK 100 G4-C</b>	734 - 776 MHz	Art. no. 507934
<b>SK 100 G4-D</b>	780 - 822 MHz	Art. no. 507935
<b>SK 100 G4-JB</b>	806 - 810 MHz	Art. no. 507936



# evolution wireless G4

## SK 100 G4 | Bodypack Transmitter

### SPECIFICATIONS

RF characteristics	
Modulation	Wideband FM
Frequency ranges	A1: 470 - 516 MHz A: 516 - 558 MHz AS: 520 - 558 MHz G: 566 - 608 MHz GB: 606 - 648 MHz B: 626 - 668 MHz C: 734 - 776 MHz D: 780 - 822 MHz E: 823 - 865 MHz JB: 806 - 810 MHz K+: 925 - 937.5 MHz 1G8: 1785 - 1800 MHz
Transmission frequencies	Max. 1680 receiving frequencies, adjustable in 25 kHz steps  20 frequency banks, each with up to 12 factory-preset channels, no intermodulation  1 frequency bank with up to 12 programmable channels
Switching bandwidth	up to 42 MHz
Nominal/peak deviation	$\pm 24$ kHz / $\pm 48$ kHz
Frequency stability	$\leq \pm 15$ ppm
RF output power at 50 $\Omega$	Max. 30 mW
Pilot tone squelch	Can be switched off

AF characteristics	
Compander system	Sennheiser HDX
AF frequency response	Mic: 80 - 18,000 Hz Line: 25 - 18,000 Hz
Signal-to-noise ratio (1 mV, peak deviation)	$\geq 110$ dBA
Total harmonic distortion (THD)	$\leq 0.9$ %
Max. microphone/line input voltage	3 V <sub>eff</sub>
Microphone/line input impedance	40 k $\Omega$ , unbalanced / 1 M $\Omega$
Input capacitance	Switchable
Setting range for input sensitivity	60 dB, adjustable in 3 dB steps

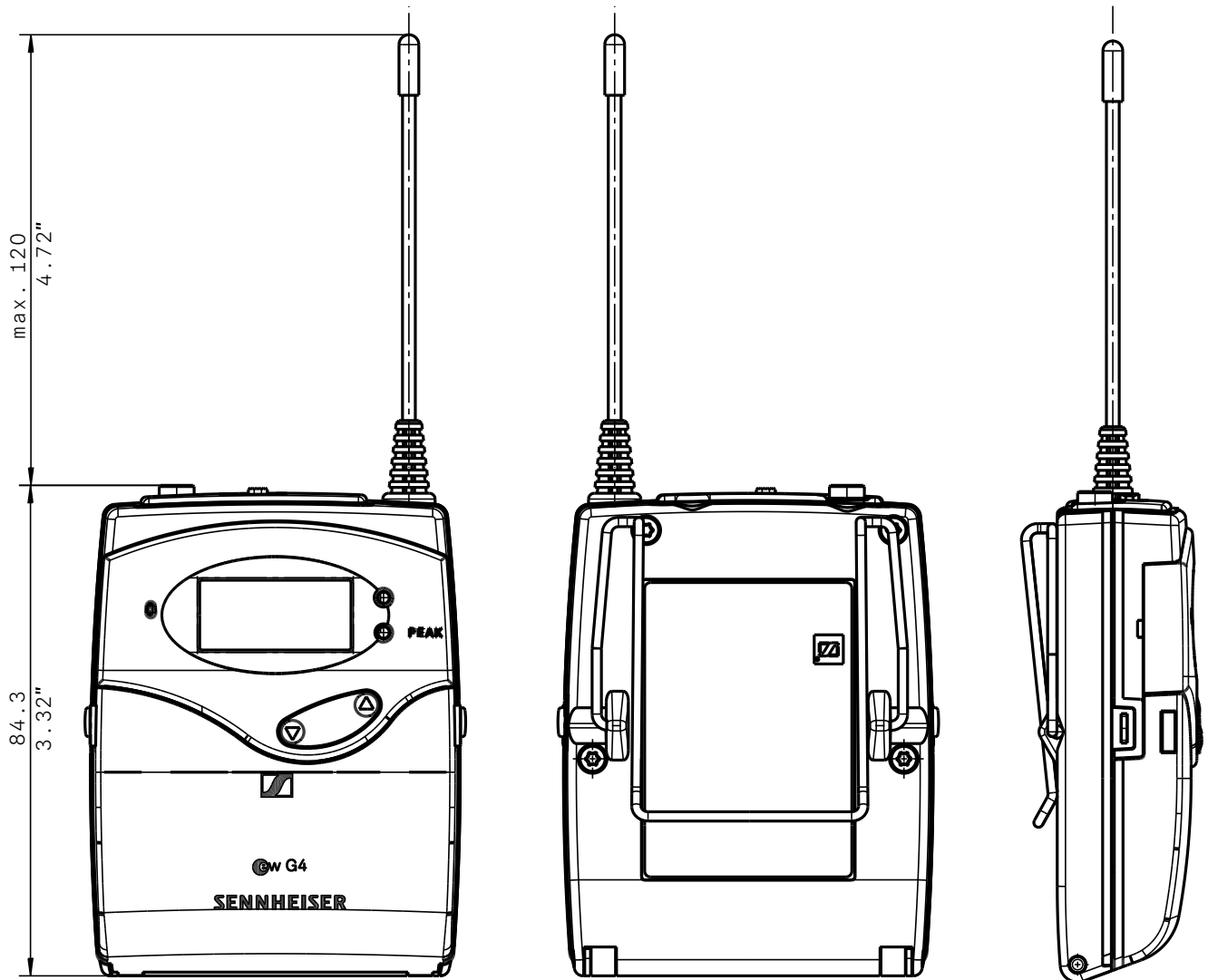
Overall device	
Temperature range	-10 °C to +55 °C
Power supply	2 AA batteries, 1.5 V or BA 2015 accupack
Nominal voltage	3 V battery / 2.4 V rechargeable battery
Current consumption	at nominal voltage: typ. 180 mA with transmitter switched off: $\leq 25$ $\mu$ A
Operating time	Typically 8 h
Dimensions	Approx. 82 x 64 x 24 mm
Weight (incl. batteries)	approx. 160 g



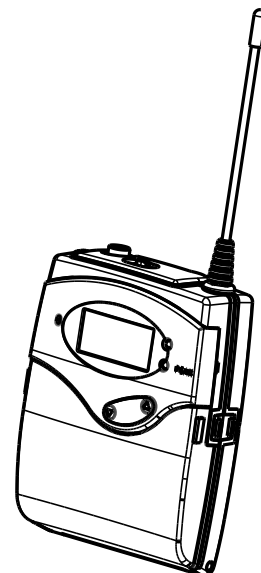
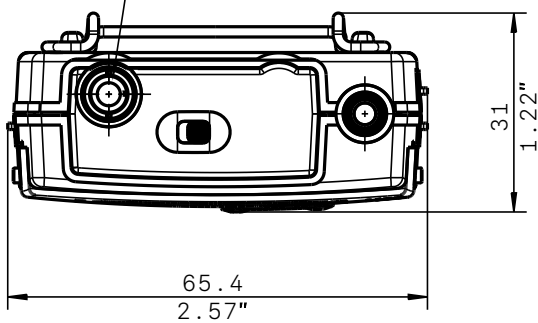
# evolution wireless G4

## SK 100 G4 | Bodypack Transmitter

### DIMENSIONS



3,5mm Klinke  
3,5mm plug





# evolution wireless G4

## SK 100 G4 | Bodypack Transmitter

### ARCHITECT'S SPECIFICATION

The compact bodypack transmitter shall be for use with a companion receiver as part of a wireless RF transmission system.

The transmitter shall operate within twelve UHF frequency ranges, with a switching bandwidth of up to 42 MHz: 470 – 516 MHz, 516 – 558 MHz, 520 – 558 MHz, 566 – 608 MHz, 606 – 648 MHz, 626 – 668 MHz, 734 – 776 MHz, 780 – 822 MHz, 823 – 865 MHz, 806 – 810 MHz, 925 – 937.5 MHz, 1785 – 1800 MHz; transmission frequencies shall be 1,680 per range and shall be tunable in 25 kHz steps. The transmitter shall feature 20 fixed frequency banks with up to 12 compatible frequency presets and 1 user bank with up to 12 user programmable frequencies.

The transmitter shall be menu-driven with a backlit LC display showing the current frequency, frequency bank and channel number, metering of AF level, transmission status, lock status, pilot tone transmission, muting function, and battery status. An auto-lock feature shall be provided to prevent settings from being accidentally altered.

The transmitter parameters shall either be configurable in the associated receiver's menu and synchronized with the transmitter via an integrated infrared interface or shall be programmable in the transmitter menu.

The transmitter shall be equipped with a mute switch, which shall be switchable between "AF on/off", "RF on/off" and "Disabled" via the user interface.

Nominal/peak deviation shall be  $\pm 24$  kHz/ $\pm 48$  kHz. Frequency stability shall be  $\leq \pm 15$  ppm. RF output power at 50  $\Omega$  shall be 30 mW (typical).

The transmitter shall incorporate the Sennheiser HDX compander system and a defeatable pilot tone squelch. Audio frequency response shall range from 80 – 18,000 Hz (microphone) or 25 – 18,000 Hz (line). Signal-to-noise ratio at 1 mV and peak deviation shall be  $\geq 110$  dBA. Total harmonic distortion (THD) shall be  $\leq 0.9$  %. Input sensitivity shall be adjustable within a 60 dB range in steps of 3 dB.

Power shall be supplied to the transmitter by two 1.5 V AA size batteries or by one Sennheiser BA 2015 rechargeable accupack. Nominal voltage shall be 2.4 V for a rechargeable battery or 3 V for a battery, current consumption shall be typical 180 mA at nominal voltage;  $\leq 25$   $\mu$ A when transmitter is switched off. Operating time shall be typical 8 hours. The transmitter shall have a rugged metal housing; dimensions shall be approximately 82 x 64 x 24 mm (3.23" x 2.52" x 0.94"). Weight including the batteries shall be approximately 160 grams (0.35 lbs). Operating temperature shall range from  $-10$  °C to  $+55$  °C ( $+14$  °F to  $+131$  °F).

The transmitter shall be the Sennheiser SK 100 G4.