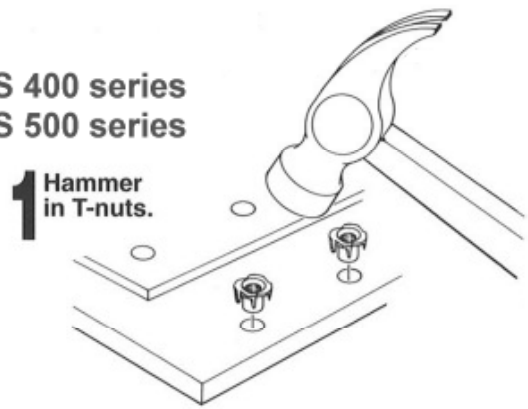


16-781 CP EMS413/B WHEELBOARD KIT EMS 400 series
16-782 CP EMS513/B WHEELBOARD KIT EMS 500 series

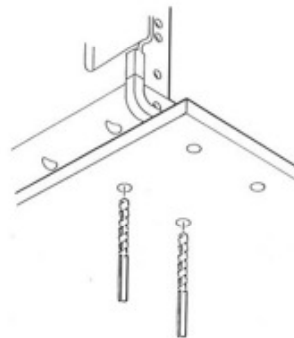
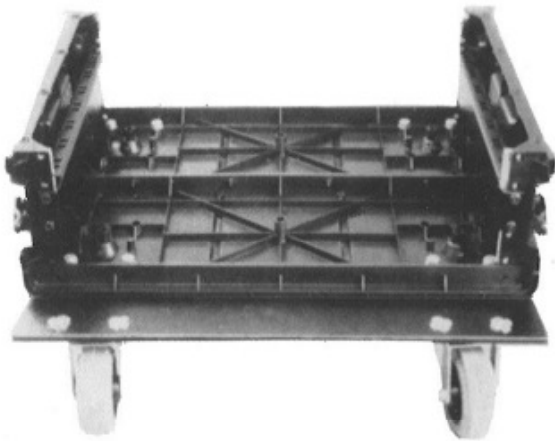
The Easi-fit rugged wheelboard comes complete with 4 x 75mm rubber-tyred castors.

2 x 40mm bolts and 2 x 12mm bolts are used to secure each of the 4 castors to the board.

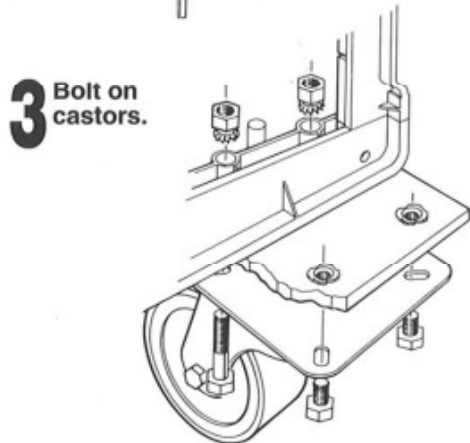
The 40mm bolts double to secure the completed wheelboard to the bottom deck of the rack. The 8 flush-fitting T-nuts provided, should be used on the 'outside' holes of the board, as shown below.



1 Hammer in T-nuts.



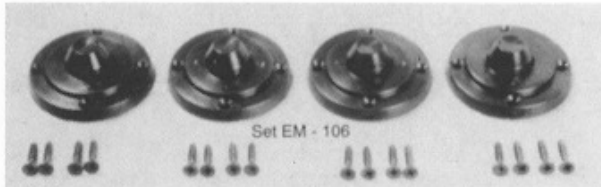
2 Locate wheelboard to bottom of rack and drill holes using 9mm drill.



3 Bolt on castors.

16-783 CP EMS106 STACKING FEET KIT

Set EMS106 - 4 stacking feet with 4 screws per 'foot'.



16-785 CP EMS111 SPARE FIXINGS KIT

Set EMS111 - Comprises 12 rack fixings and 6 cassettes. Can be used on either front or rear rack rails.

16-784 CP EMS112 CORNER BUFFER KIT

Set EMS112 comprises 8 corner buffers and screws, which should be positioned on the corners of the rack body.

(Cannot be used on a rack with horizontal/slant mounting kit or wheelboard).

