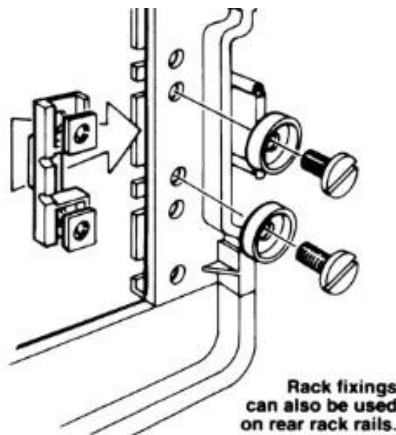


Fixings supplied with EMS modular rack cases



NSR-20856 EMS FIX kit (Kit includes all fittings required to assemble a flat packed EMS Rack)
The EMS FIX kit includes all fitting required to assemble a flat packed EMS Rack



16-785 CP EMS111 SPARE FIXINGS KIT For EMS 400/500 series rack case, (set of 12)
EMS111 contains 12 rack bolts, nuts, plastic cup washers and 6 nut holders that accommodate two nuts.

16-761 CP EMS 400/3 RACK CASE 3U, 380mm usable depth

16-766 CP EMS 500/3 RACK CASE 3U, 460mm usable depth

Supplied fully assembled with 1x EMS 111 fixing kit

16-762 CP EMS 400/6 RACK CASE 6U, 380mm usable depth

16-767 CP EMS 500/6 RACK CASE 6U, 460mm usable depth

Supplied flat packed with EMS FIX kit plus 2x EMS 111 fixing kit

16-763 CP EMS 400/9 RACK CASE 9U, 380mm usable depth

16-768 CP EMS 500/9 RACK CASE 9U, 460mm usable depth

Supplied flat packed with EMS FIX kit plus 3x EMS 111 fixing kit

16-764 CP EMS 400/12 RACK CASE 12U, 380mm usable depth

16-769 CP EMS 500/12 RACK CASE 12U, 460mm usable depth

Supplied flat packed with EMS FIX kit plus 4x EMS 111 fixing kit

16-765 CP EMS 400/15 RACK CASE 15U, 380mm usable depth

16-770 CP EMS 500/15 RACK CASE 15U, 460mm usable depth

Supplied flat packed with EMS FIX kit plus 5x EMS 111 fixing kit