

SHORT TRUSS MOUNT 8000-416B for GENELEC 6010, 8010, 8020, 8030, 8040, 8050

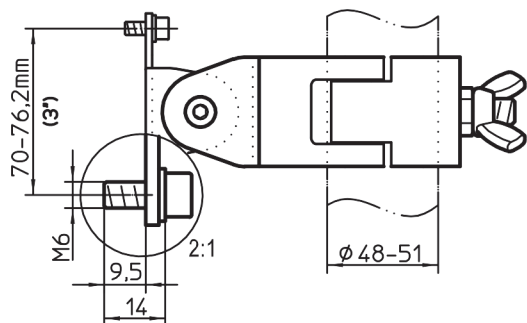
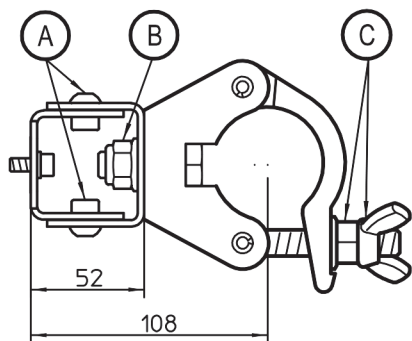
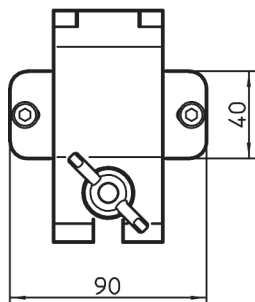
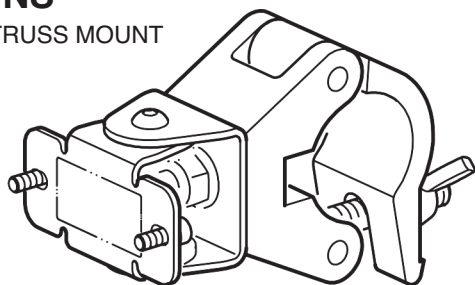
easy handling,
adjustable direction and angle

instruction manual

1. SETUP & DIMENSIONS

The GENELEC 8000-416B SHORT TRUSS MOUNT is pre-installed and ready for set up.

- Check if all the components are there and ok, particularly bolted assemblies A, B and C.

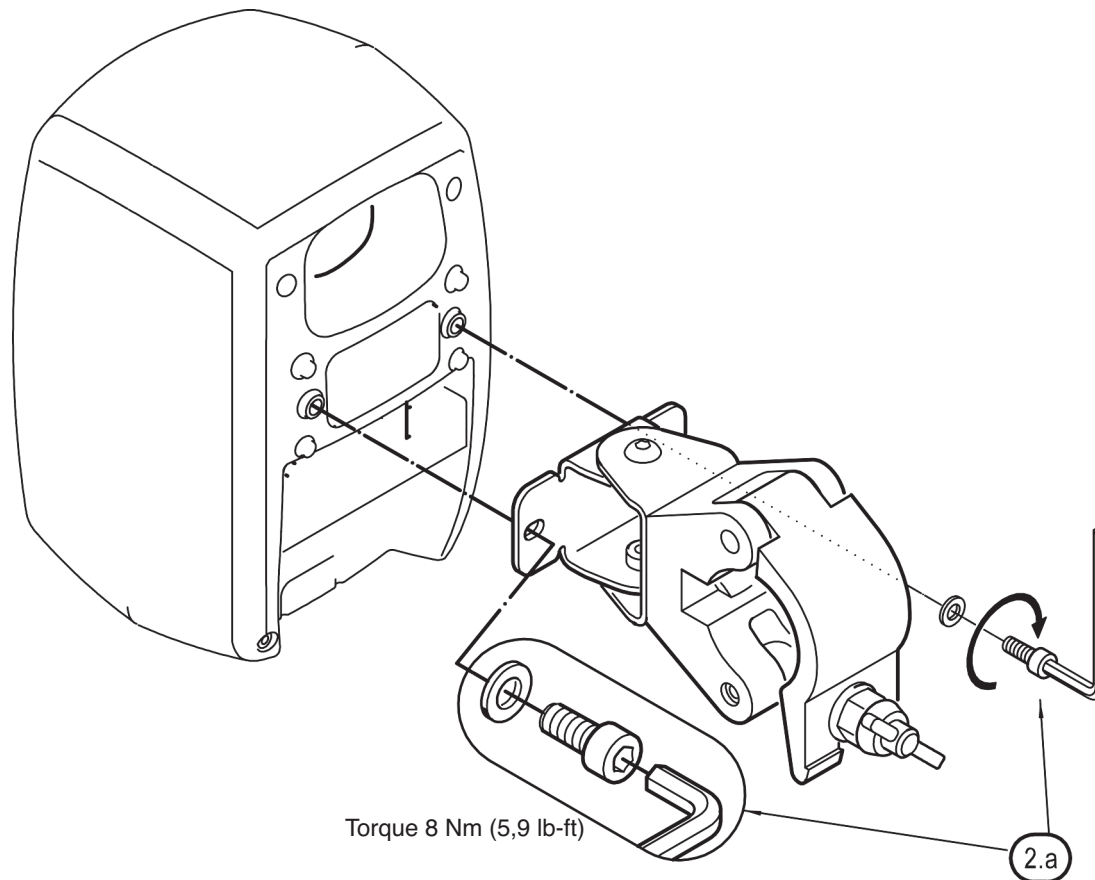


2. MONITOR MOUNTING

Bolt together GENELEC Monitor with the SHORT TRUSS MOUNT.

2.a

Use both allen head screws
M6 x 14 (AF 5 mm) with washers.



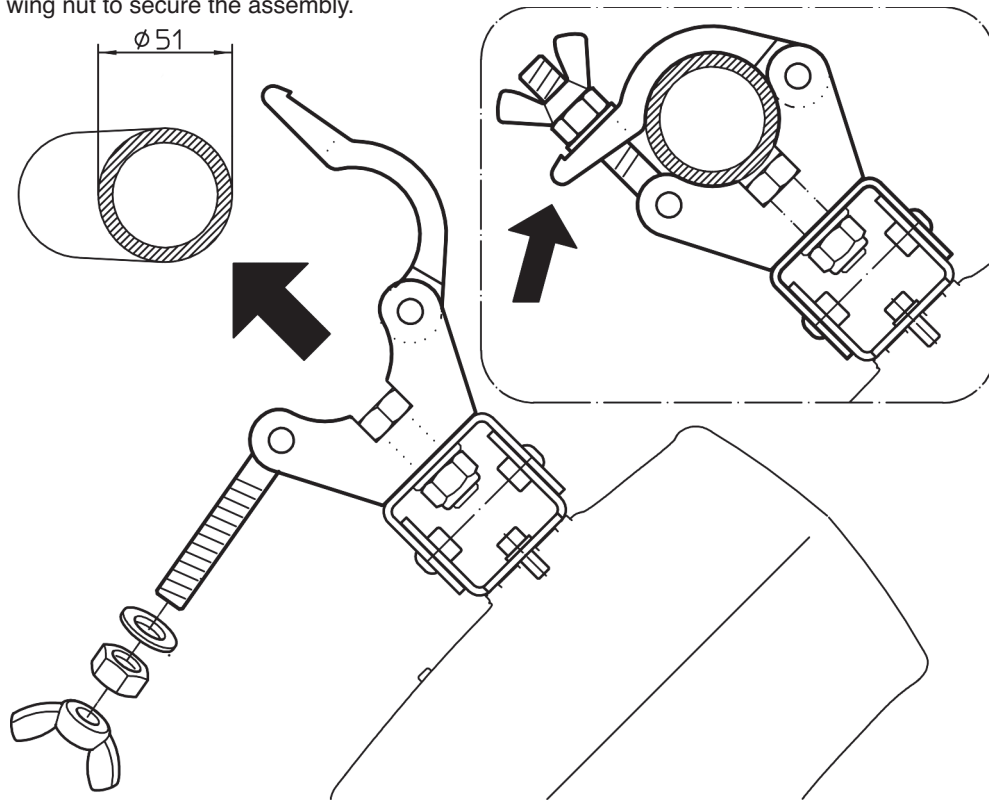
SHORT TRUSS MOUNT 8000-416B for GENELEC 6010, 8010, 8020, 8030, 8040, 8050

easy handling,
adjustable direction and angle

instruction manual

3. TRUSS MOUNTING

Tighten SHORT TRUSS MOUNT to adequate frame tube (\varnothing 48-51 mm). Use washer, hexnut M12 and finally the wing nut to secure the assembly.



4. SETTINGS

4.a

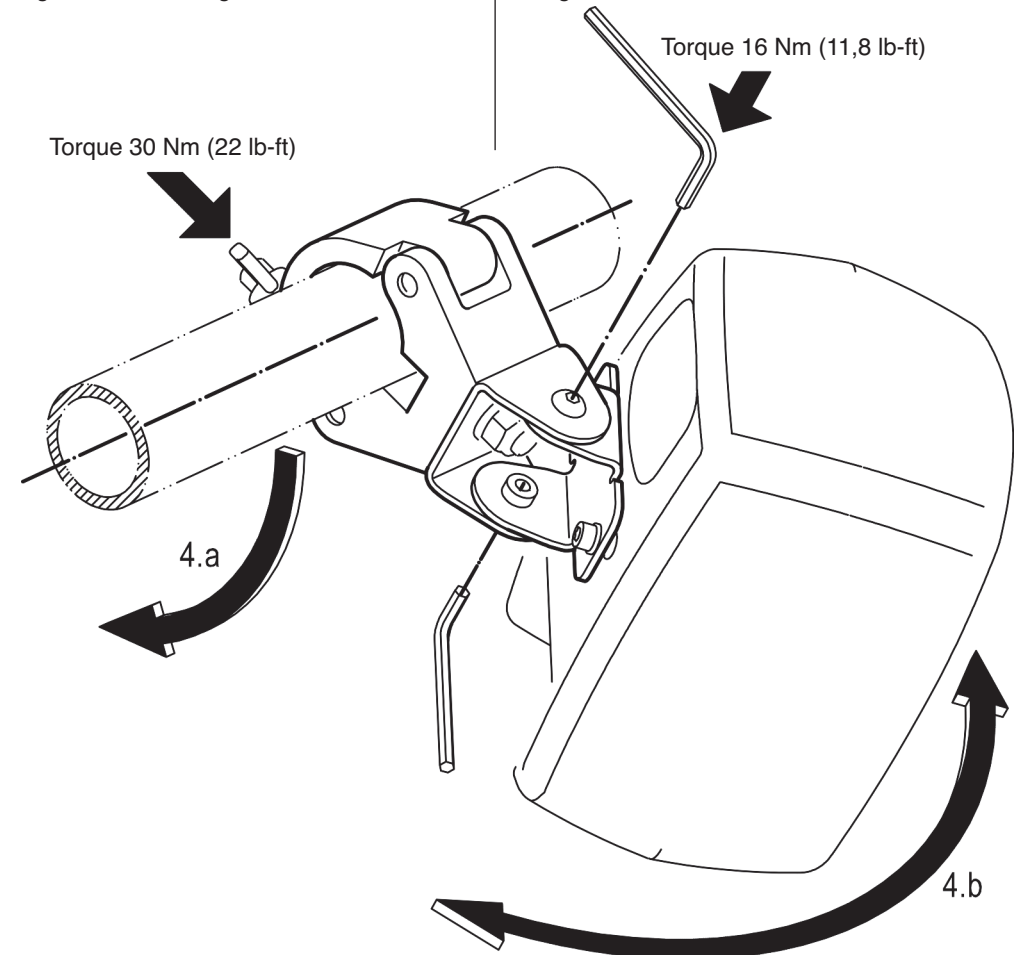
TILT ANGLE

- loosen wingnut/hexnut
- incline GENELEC monitor into desired angle
- retighten hexnut/wingnut

4.b

DIRECTION

- loosen both lens head screws
- turn GENELEC monitor into desired direction
- retighten lens head screws



5. SAFETY INSTRUCTIONS

- For indoor use only
- For use only by trained installers
- Inspect the condition of the parts and the bolted assemblies regularly
- Loading: GENELEC 6010, 8010, 8020, 8030 (vertical mounting)
GENELEC 8040, 8050 (horizontal mounting)
- Choose a position and mounting method compliant with local building codes and regulations