

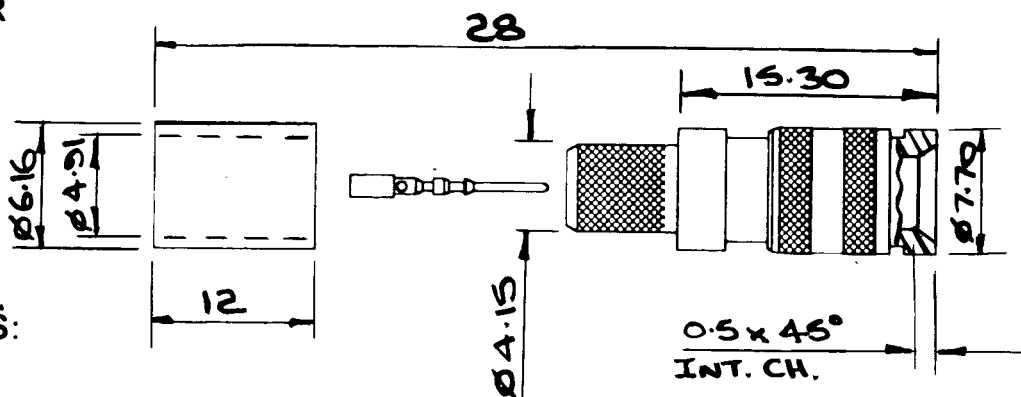
### 75 ohm – 1.0/2.3 Cable Plug Straight Crimp plug – Push Pull coupling

SUITABLE FOR  
CABLE:

- 1855A

ASSEMBLY  
INSTRUCTIONS:

- BBAI - 1269



### Product description

- Straight Plug
- According to CECC 22230 , DIN 47297
- Coupling type : Push - Pull
- Impedance : 75 ohm
- Frequency range :  $\leq 2$  GHz
- Reflection coefficient :  $\leq 0.1$
- Mechanical durability :  $> 500$  cycles
- Temperature range :  $-40$  °C to  $+125$  °C
- Cable attachment : - inner contact  $\rightarrow$  indent crimping sel. No. 4  
- outer contact  $\rightarrow$  crimping die closure dimension **S-4A1F**
- Parts :

DESCRIPTION	MATERIAL	FINISH
Body & Nut	Brass	Nickel (2 - 3 $\mu$ m Ni thickness)
Insulator	PTFE <b>OR FEP</b>	---
Inner male contact	Beryllium copper	Gold (2 - 3 $\mu$ m Ni $+>1$ $\mu$ m Au thickness)
Outer male contact	Beryllium copper	Gold (2 - 3 $\mu$ m Ni $+>1$ $\mu$ m Au thickness)
Ferrule	Cu EPT	Nickel (2 - 3 $\mu$ m Ni thickness)

All dimensions are in mm.

**WARNING**  
**This Copy will not be  
kept up-to-date.**

Issue	Date	Name	Issue	Date	Name	Part number	
A	12/11/04	SS	C	2/3/05 K5861	SS	D55-F24-3069G0A	
B	9/12/04	SS				Page 1	of 1

K5861