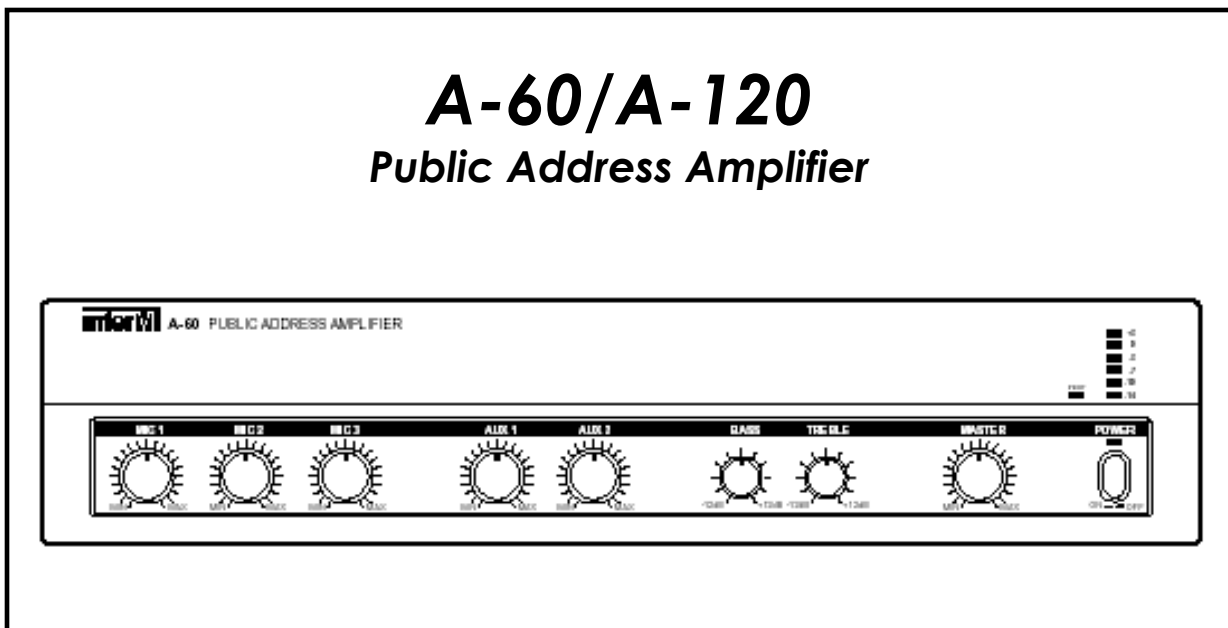


Operating Manual

A-60/A-120 Public Address Amplifier



©Copyright 2004 Inter-M Corporation

interM

Contents

Welcome	3
Unpacking	3
Warnings	3
Operation.....	5
Public Address Amplifier.....	6
Features	6
Front Panel Controls.....	7
Rear Panel Controls	8
Connecting Speakers.....	9
Applications	10
Block Diagram	11
Specifications.....	12

Welcome

A personal welcome to you from the management and employees of Inter-M

Thank you for purchasing this fine Inter-M product. All of us here at Inter-M are dedicated to providing you with the highest quality products and the best value.

We sincerely trust this product will provide you with years of satisfactory service, but if anything is not to your complete satisfaction, we will endeavor to make things right.

Welcome to Inter-M, and thank you for becoming a part of our worldwide extended family!

Unpacking

Although your A-60/A-120 is neither complicated nor difficult to operate, we recommend you take a few minutes to read this brief manual and familiarize yourself with the important information regarding product features, setup and operation.

As with most electronic devices, we strongly recommend you retain the original packaging. In the unlikely event the product must be returned for servicing, the original packaging (or reasonable equivalent) is required.

Warnings




Environment

Never place this product in an environment that could alter its performance or reduce its service life. Such environments are usually characterized by high levels of heat, dust, moisture, or vibration.

Safety

1. Read these instructions carefully.
2. Follow all instructions.
3. Keep all warnings.
4. Do not operate this apparatus near water.
5. Clean only with a damp cloth.
6. Do not block any of the ventilation openings.
7. Install only in accordance with the instructions in this manual.

8. Do not install near any heat sources such as radiators, heat registers, stoves, or other devices (including amplifiers) that produce heat.
9. Do not defeat the safety purpose of the polarized or grounding type plug. A polarized plug has two blades, with one wider than the other. A grounding type plug has two blades and a third grounding prong. The wide blade or the third prong is provided for your safety. If the provided plug does not fit into your outlet, consult an electrician for replacement of the obsolete outlet.
10. Protect the power cord from being walked on or pinched, particularly at plugs, convenience receptacles, and the point where it is attached to the apparatus.
11. Use only the attachments/accessories specified.
12. Use only with a cart, stand, tripod, bracket, or table specified, or sold with the apparatus. When a cart is used, use caution when moving the cart/apparatus combination to avoid overturning.
13. Unplug this apparatus during lightning storms or when unused for long periods of time.
14. Refer all servicing to qualified service personnel. Servicing is required when the apparatus has been damaged in any way, such as power supply cord or plug is damaged, liquid has been spilled or objects have fallen into the apparatus, the apparatus has been exposed to rain or moisture, does not operate normally, or has been dropped.

 <p>CAUTION RISK OF ELECTRIC SHOCK DO NOT OPEN</p> <p>CAUTION: TO REDUCE THE RISK OF ELECTRIC SHOCK, DO NOT REMOVE COVER (OR BACK). NO USER-SERVICEABLE PARTS INSIDE. REFER SERVICING TO QUALIFIED SERVICE PERSONNEL.</p>	 <p>This symbol is intended to alert the user to the presence of uninsulated "dangerous voltage" within the product's enclosure that may be of sufficient magnitude to constitute a risk of electric shock to persons.</p>
<p>WARNING</p> <p>To prevent fire or shock hazard, do not expose the unit to rain or moisture.</p>	 <p>This symbol is intended to alert the user to the presence of important operation and maintenance (servicing) instructions in the literature accompanying the appliance.</p> <p>Caution: To prevent electric shock do not use this (polarized) plug with an extension cord, receptacle or other outlet unless the blades can be fully inserted to prevent blade exposure.</p> <p>Attention: Pour prévenir les chocs électriques ne pas utiliser cette fiche polarisée avec un prolongateur, une prise de courant ou une autre sortie de courant, sauf si les lames peuvent être insérées à fond sans en laisser aucune partie à découvert.</p>
<p>*Do not install this equipment in a confined space such as a book case or similar unit. *The apparatus shall not be exposed to dripping or splashing and no objects filled with liquids, such as vases, shall be placed on the apparatus. *Worded: "WARNING FOR YOUR PROTECTION PLEASE READ THE FOLLOWING-WATER AND MOISTURE: Unit should not be used near water(e.g. near a bathtub, washbowl, kitchen sink, laundry tub, in a wet basement, or near a swimming pool, etc). Care should be taken so that objects do not fall and liquids are not spilled into the enclosure through openings."</p>	

Operation

Make certain that speakers and input sources are properly connected before switching on.

Keep volume levels at minimum gain before switching on.

NOTE: The system's operation is delayed by approximately three seconds after pressing the AC Mains power switch. This is due to the built-in protection circuitry, designed to protect speakers and other system components.

A-60/A-120 Public Address Amplifier

Features

High Power, Low Distortion

- 60W (A-60) or 120W (A-120) of RMS power, with less than 1% THD.

Versatile and Easy to Use

- Three Mic inputs, two Aux Inputs.

Priority Muting

- Mic1 input mutes other inputs when in use.

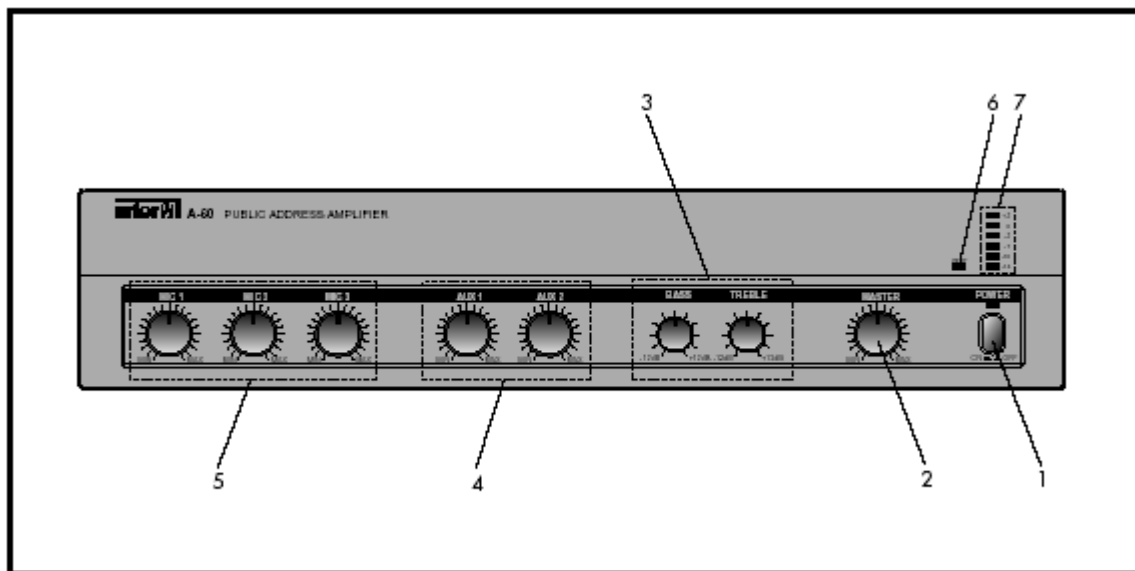
Flexible Design

- Mono 4 Ω or 70V/100V High-Impedance Outputs

Tone Control

- Separate Bass and Treble controls to tailor your sound.

Front Panel Controls



1. Power Switch

Pressing this switch switches the unit on, as indicated by the Power LED above the switch. Pressing it again switches the unit off.

2. Master Volume

This knob controls the overall volume of the A-60/120 output.

3. Bass and Treble Controls

These knobs control the high and low frequency response, by adding up to 12dB of cut (decrease) or boost (increase).

4. Aux Volume 1-2

These knobs control the volume of Aux Inputs 1 and 2.

5. Mic Volumes 1-3

These knobs control the volume of Mic Inputs 1-3.

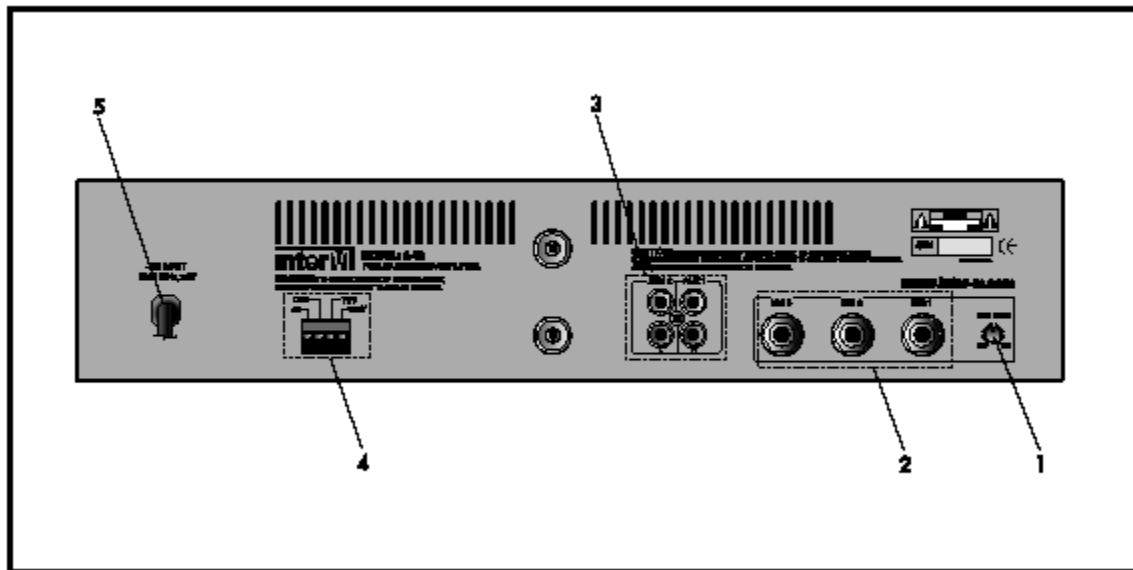
6. Protection Indicator

This LED indicates the state of the amplifier's protection circuitry. When the Protection LED is on (illuminated), the protection circuitry is active, indicating that the unit is not operating normally. This is typically due to overheating or power limiting. Please check the Input and Output condition of the amplifier.

7. Output Level Display

This six-segment LED meter indicates the amplifier's output level in RMS.

Rear Panel Controls



1. Priority Mute Level

When Mic Input 1 is active, it mutes all other input signals (priority muting). When priority muting is in effect, this control is used to set the amount of attenuation (how much muting) is applied to the other inputs when a signal is present on Mic Input 1. The amount of attenuation can range from very little to complete muting.

2. Mic 1,2,3 Inputs

These 1/4" phone jacks accept a standard mic-level input. Input impedance is 600 Ω , and input sensitivity is 0.6mV.

3. Aux Inputs 1-2

These inputs are used for connecting line-level sources, such as CD, tuner or cassette deck.

4. Speaker Output Terminals

These terminals are used to connect speakers to the unit. You may select either 4 Ω conventional operation, or High Impedance operation at either 70V or 100V.

5. AC Power Cable

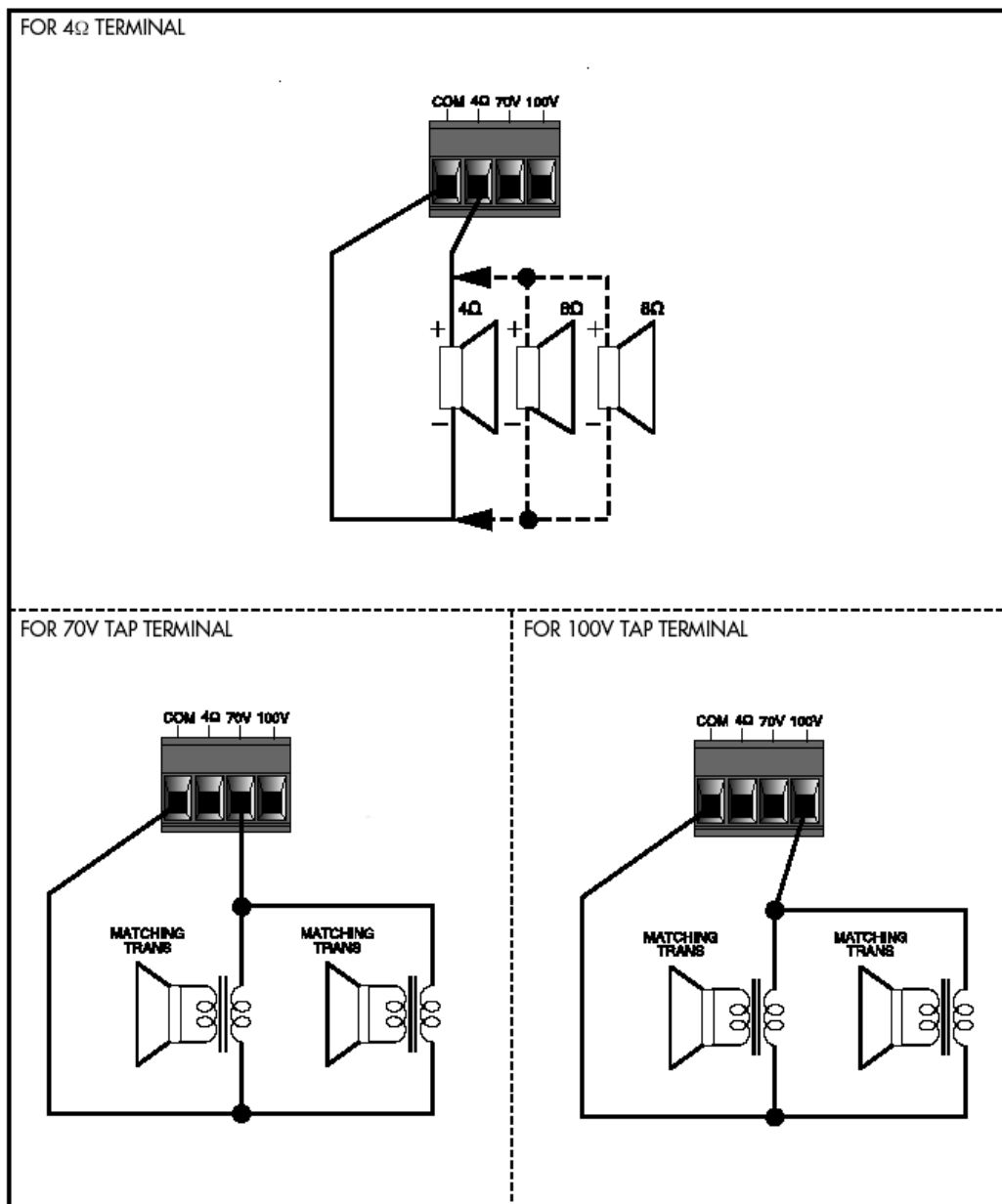
Connect this cable to your AC outlet.

Connecting Speakers

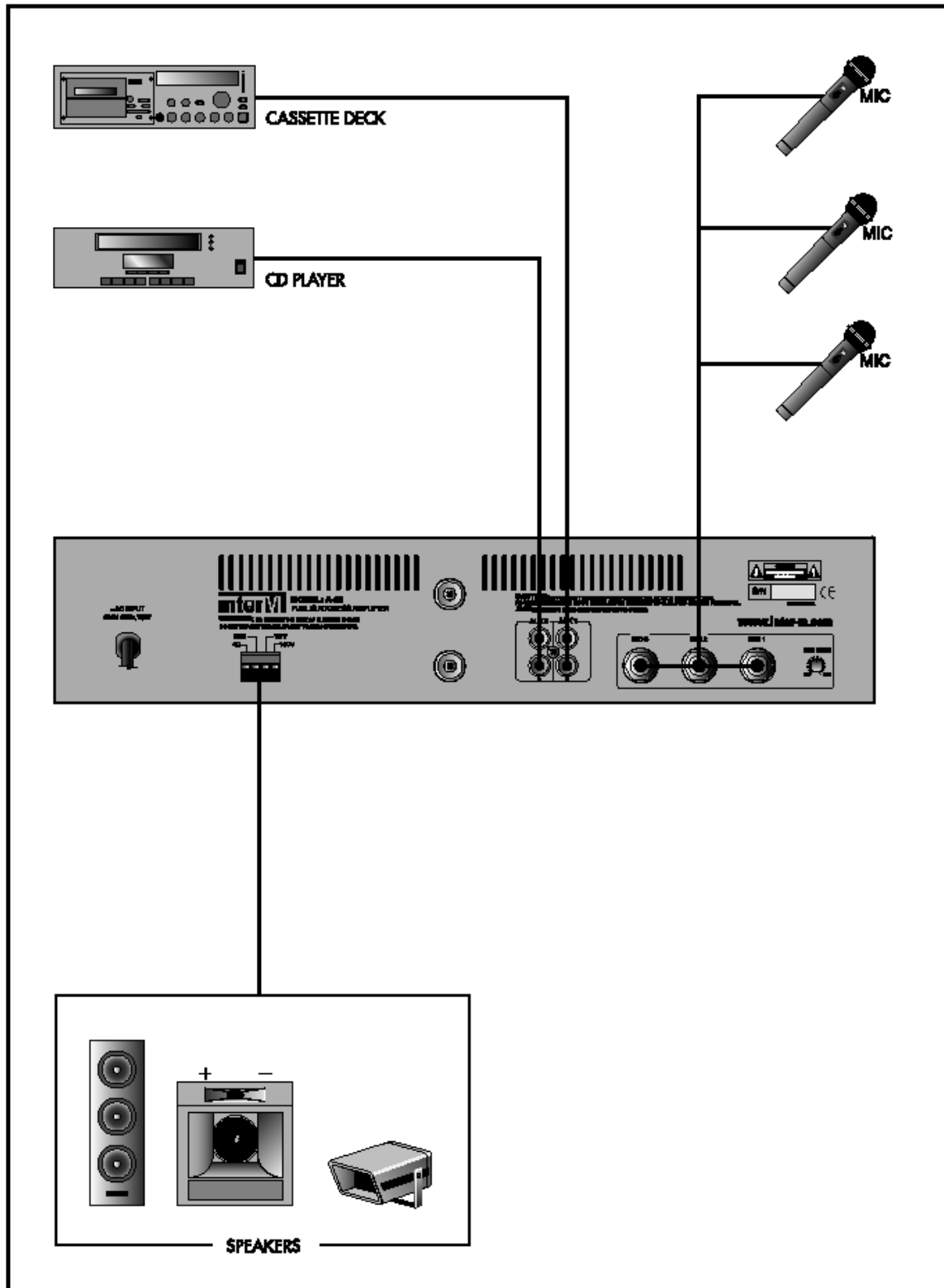
Before connecting speakers to your A-60/120 unit, be sure to disconnect the AC power cable. Make certain that the total impedance is not less than the rated impedance indicated.

For 4Ω speakers, connect in parallel, with the positive (+) connectors to the 4Ω terminal and the negative (-) connectors to the COM terminal. See Figure below.

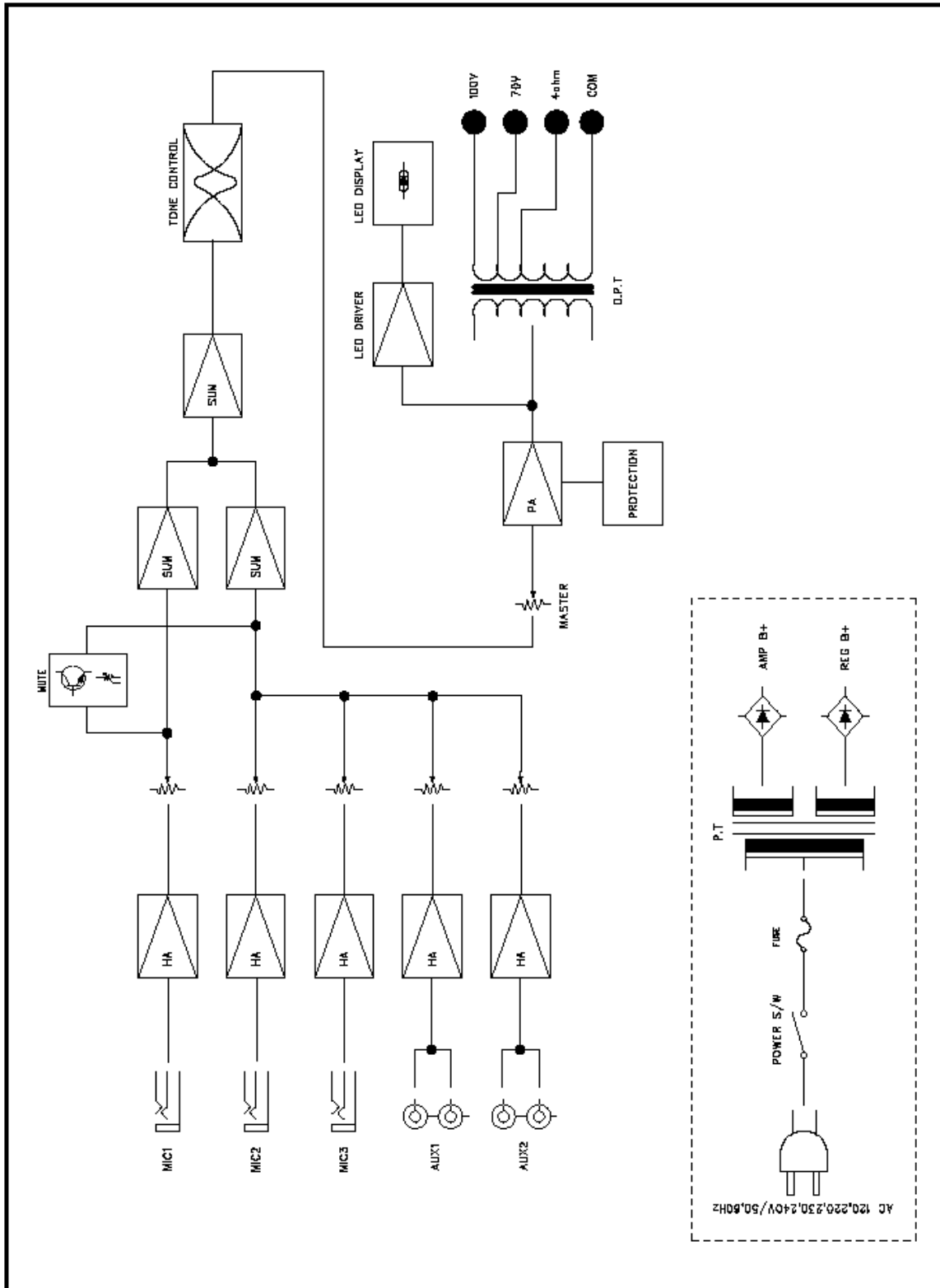
For high-voltage distributed systems, connect with matching transformer to either 70V or 100V terminals, as per Figures below. Be certain that the total impedance does not equal less than the rated impedance.



Applications



Block Diagram



Specifications

ELECTRICAL

Rated Output/Impedance	A-60: 15.5V/4 Ω ; 70V/81.6 Ω ; 100V/166.7 Ω A-120: 21.9V/4 Ω ; 70V/40.8 Ω ; 100V/83.3 Ω
Input Sensitivity/Impedance	
Mic Input 1-3	-60dB/600 Ω , Bal
Aux 1 Input	-10dB/10k Ω , Unbal
Aux 2 Input	+ 3dB/10k Ω , Unbal
Frequency Response (\pm3dB)	80Hz–16kHz
T.H.D	Less than 1%
S/N	
Mic	Better than 60dB
Aux	Better than 75dB
Tone Control	
Treble (10kHz)	\pm 12dB
Bass (100Hz)	\pm 12dB

GENERAL

Power Source	AC 110V-240V, 50/60Hz
Power Consumption	A-60: 75W A-120: 105W
Weight	A-60: 8.9 Kg (19.6 lbs) A-120: 10.3 Kg (22.7 lbs.)
Dimensions	420(W) x 88(H) x 320(D) mm 16.5(W) x 3.5(H) x 12.6(D) inches

** Specifications and design subject to change without notice for improvements.*



Inter-M, Ltd. (Korea) began operations in 1983.

Since then, Inter-M has grown to become one of the largest manufacturers of professional audio and commercial sound electronics equipment in the world.

Inter-M has gained worldwide recognition for its own branded products, as well as private label manufacturing of electronics sold under other names (OEM).

The company is no longer just a Korean company, but rather a global company that is truly international in scope, with factories and offices in Korea and China, and sales and marketing operations located in Japan, Europe, and the U.S.A.

With more than 850 employees around the globe, Inter-M is well-poised for further growth and expansion.

INTER-M AMERICAS, INC.

1 EAST BEACON LIGHT LANE, CHESTER, PA, USA 19013-4409

TEL: (610) 874-8870, FAX: (610) 874-8890

Home Page:<http://www.inter-m.net>, E-mail: service@inter-m.net

INTER-M Corporation

SEOUL OFFICE: 653-5 BANGHAK-DONG, DOBONG-KU, SEOUL, KOREA

TEL: 82-2-2289-8140~8, FAX: 82-2-2289-8149

Home Page:<http://www.inter-m.com>, E-mail: export@inter-m.com