



DL16S

The Mackie DL16S delivers 16-channels of proven DL Series digital mixing in an all-new Built-Like-A-Tank™, stage-friendly design.

Get mixing right out of the box with built-in Wi-Fi networking and full multiplatform support on the industry-leading Master Fader™ control app.

Fully loaded with DSP on each of the 16 Onyx+™ mic preamps and 13 busses plus 4 FX processors, the DL16S delivers the mixing power you need to sound great every night.

Create stunning multitrack recordings via 16x16 USB I/O and even play them back into each channel for an effortless virtual sound check.

The Master Fader app delivers extremely intuitive control over everything on up to 20 devices simultaneously, including the ability to digitally recall each and every setting for incredibly fast setup.

Take command of your live mix with the Mackie DL16S.

APPLICATIONS:

Band rehearsal and performance PA systems, regional touring acts, small to mid-sized sound companies, theater production, conference room PA, singer-songwriters, mobile recording studios, houses of worship, music education and many, many more.

FEATURES:

■ 16-CHANNEL WIRELESS DIGITAL MIXER

- 16 Onyx+™ recallable mic preamps
- 8 fully-assignable XLR outputs plus headphone output
- Industry-leading Master Fader control app
- 16x16 USB recording
- Ditch the snake – Place it anywhere on stage or in a rack

■ WIRELESS MIXING

- Complete control via iOS, Android, Mac, or PC
- No set FOH position – mix from anywhere
- Supports up to 20 separate devices at once
- Multiple engineers can work from a single mixer

■ POWERFUL PROCESSING AND SIGNAL ROUTING

- 16 input channels with 4-band PEQ + HPF, gate, compression and RTA/Spectrograph
 - 16 stereo-linkable input channels
- 13 output busses with 4-band PEQ + HPF/LPF, 31-band GEQ, comp/limiter, alignment delay and RTA/Spectrograph
 - 6 stereo-linkable aux sends
 - 6 stereo-linkable subgroups
 - Main L/R bus
- 6 VCAs and 6 mute groups
- 4 stereo FX processors featuring great built-in FX like reverbs, delays, choruses, flangers, and many more with dedicated sends and returns
- Full I/O routing with A/B sources per channel
- Assignable oscillator including pink/white noise and sine waves
- Modern and Vintage options for comp/gate and EQ

■ MULTI-TRACK RECORDING & PLAYBACK

- 16x16 USB 2.0 audio interface for Mac or PC
- Record the show for later mixdown
- Play back intermission music, backing tracks and more directly into a dedicated stereo return channel
- Perform a virtual sound check
- Amazing low-cost, high channel count studio recording solution
- Utilize Mac or PC audio plug-ins in a live environment

DL Series mixers are compatible with iOS 11 or later, Android OS 6 or later, macOS 10.2 or later, and Windows 10 or later



DL32S

The Mackie DL32S delivers 32-channels of proven DL Series digital mixing in an all-new Built-Like-A-Tank™, stage-friendly design.

Get mixing right out of the box with built-in Wi-Fi networking and full multiplatform support on the industry-leading Master Fader™ control app.

Fully loaded with DSP on each of the 32 Onyx+™ mic preamps and 15 busses plus 4 FX processors, the DL32S delivers the mixing power you need to sound great every night.

Create stunning multitrack recordings via 32x32 USB I/O and even play them back into each channel for an effortless virtual sound check.

The Master Fader app delivers extremely intuitive control over everything on up to 20 devices simultaneously, including the ability to digitally recall each and every setting for incredibly fast setup.

Take command of your live mix with the Mackie DL32S.

APPLICATIONS:

Band rehearsal and performance PA systems, regional touring acts, small to mid-sized sound companies, theater production, conference room PA, singer-songwriters, mobile recording studios, houses of worship, music education and many, many more.

FEATURES:

- **32-CHANNEL WIRELESS DIGITAL MIXER**
 - 32 Onyx+™ recallable mic preamps
 - 10 fully-assignable XLR outputs plus headphone output
 - Industry-leading Master Fader control app
 - 32x32 USB recording
 - Ditch the snake – Place it anywhere on stage or in a rack

- **WIRELESS MIXING**
 - Complete control via iOS, Android, Mac, or PC
 - No set FOH position – mix from anywhere
 - Supports up to 20 separate devices at once
 - Multiple engineers can work from a single mixer

- **POWERFUL PROCESSING AND SIGNAL ROUTING**
 - 32 input channels with 4-band PEQ + HPF, gate, compression and RTA/Spectrograph
 - 32 stereo-linkable input channels
 - 15 output busses with 4-band PEQ + HPF/LPF, 31-band GEQ, comp/limiter, alignment delay and RTA/Spectrograph
 - 8 stereo-linkable aux sends
 - 6 stereo-linkable subgroups
 - Main L/R bus
 - 6 VCAs and 6 mute groups
 - 4 stereo FX processors featuring great built-in FX like reverbs, delays, choruses, flangers, and many more with dedicated sends and returns
 - Full I/O routing with A/B sources per channel
 - Assignable oscillator including pink/white noise and sine waves
 - Modern and Vintage options for comp/gate and EQ

- **MULTI-TRACK RECORDING & PLAYBACK**
 - 32x32 USB 2.0 audio interface for Mac or PC
 - Record the show for later mixdown
 - Play back intermission music, backing tracks and more directly into a dedicated stereo return channel
 - Perform a virtual sound check
 - Amazing low-cost, high channel count studio recording solution
 - Utilize Mac or PC audio plug-ins in a live environment

DL Series mixers are compatible with iOS 11 or later, Android OS 6 or later, macOS 10.2 or later, and Windows 10 or later

DL16S • DL32S SPECIFICATIONS

General Digital

Sample Rate:	48 kHz
A/D/A Bit Depth:	24-bit
System Latency Analog Input > Main Bus > Analog Output:	1.5 ms
0 dBFS Reference:	+22 dBu

Frequency Response

XLR inputs and outputs:	±0, -1 dB, 20 Hz to 20 kHz
1/4" inputs:	±0, -3 dB, 20 Hz to 20 kHz

Distortion

THD+N, XLR mic input to XLR output, unity gain (1 kHz, +21 dBu signal; 30 kHz bandwidth):	<0.005%
--	---------

Noise / Dynamic Range / Signal-to-Noise Ratio

EIN (150 Ω termination):	-127 dBu, A-Weighted
Crosstalk	
Analog XLR adjacent inputs:	<-105 dB @ 1 kHz (unity gain) <-65 dB @ 1 kHz (max gain)
Analog XLR adjacent outputs:	<-95 dB @ 1 kHz
Signal-to-Noise Ratio (ref +4 dBu, 1 kHz. Mic Input > Main Bus > XLR Output, unity gain):	>92 dB, un-weighted
Output Noise, XLR output (DSP muted):	<-90 dBu RMS
Dynamic Range	
Mic Input > Main Bus > XLR Output, unity gain:	>110 dB, A-Weighted
XLR Mic Input to USB Output:	>113 dB, A-Weighted
XLR Output from DSP (Oscillator):	>113 dB, A-Weighted
CMRR - XLR Mic Input (ref +20 dBu, +45 dB Gain):	>75 dB @1 kHz

Analog Inputs

Connectors:	1-8: XLR Balanced, 9-16: Combo XLR / TRS Bal-Unbal (plus Hi-Z via unbalanced instrument cable on inputs 15-16) [DL16S]
	1-16: XLR Balanced, 17-32: Combo XLR / TRS Bal-Unbal (plus Hi-Z via unbalanced instrument cable on inputs 31-32) [DL32S]
XLR Mic Pre:	Onyx+
Input Impedance	
DL16S:	XLR, channels 1-16: 3 kΩ, balanced 1/4" Line, channels 9-14: 30 kΩ, balanced 1/4" Hi-Z, channels 15-16: 1 MΩ, unbalanced
DL32S:	XLR, channels 1-32: 3 kΩ, balanced 1/4" TRS Line, channels 15-30: 30 kΩ, balanced 1/4" TS Hi-Z, channels 31-32: 1 MΩ, unbalanced
Max Input Level:	XLR: +22 dBu 1/4": +30 dBu
48V Phantom Power (XLR):	48 VDC nominal voltage, unloaded 14 mA maximum current supplied to any single input 5mA minimum current supplied to all inputs simultaneously Digital on/off control for each individual input

Analog Outputs

Connectors:	XLR Balanced
Output Impedance:	300 Ω
Max Output Level:	+22 dBu

Analog Headphone Out

Connector:	1/4" TRS Stereo
Max Output Level:	+20 dBu into 600 Ω, each channel +22 dBu max into 100 kΩ, each channel

DL16S • DL32S SPECIFICATIONS CONTINUED...

USB

Connection:	USB 2.0 High Speed (as a device)
Connector:	USB-B
Supported MS Windows [Driver installation required]:	Windows 10
Supported Mac OS [Audio Class 2.0 Compliant, no driver required]:	macOS 10.13, 10.14
Audio:	16 in / 16 out, 48 kHz, 16/24-bit [DL16S] 32 in / 32 out, 48 kHz, 16/24-bit [DL32S]

Networking

Connection:	100 Mb Ethernet
Control:	Complete
Simultaneous Control:	20 Devices
Antenna:	External, SMA Connector, 50 Ω
Access Point, Number of Clients:	Max. 20 (Wired or Wireless)
IEEE 802.11 b/g Standard:	2.4 GHz
WLAN Channels:	1 - 11 (with auto-channel select option)
Access Point Security:	WPA2
Supported Operating Modes:	Access Point, External Router, Wi-Fi Client

Devices and OSs

Android and iOS

System Requirements:	Android: v6.0 or higher required (requires Google Play Store access to install) iOS: v11.0 or higher required
Control Application:	Master Fader App for Android Master Fader App for iOS

DSP

DL16S:

16 input channels with 4-band PEQ + HPF, gate, compression and RTA/Spectrograph

16 stereo-linkable input channels

13 output busses with 4-band PEQ + HPF/LPF, 31-band GEQ, comp/limiter, alignment delay and RTA/Spectrograph

6 stereo-linkable aux sends

6 stereo-linkable subgroups

Main L/R bus

6 VCAs and 6 mute groups

4 stereo FX processors featuring great built-in FX like reverbs, delays, choruses, flangers, and many more with dedicated sends and returns

Full I/O routing with A/B sources per channel

Assignable oscillator including pink/white noise and sine waves

Modern and Vintage options for comp/gate and EQ

DL32S:

32 input channels with 4-band PEQ + HPF, gate, compression and RTA/Spectrograph

32 stereo-linkable input channels

15 output busses with 4-band PEQ + HPF/LPF, 31-band GEQ, comp/limiter, alignment delay and RTA/Spectrograph

8 stereo-linkable aux sends

6 stereo-linkable subgroups

Main L/R bus

6 VCAs and 6 mute groups

4 stereo FX processors featuring great built-in FX like reverbs, delays, choruses, flangers, and many more with dedicated sends and returns

Full I/O routing with A/B sources per channel

Assignable oscillator including pink/white noise and sine waves

Modern and Vintage options for comp/gate and EQ

DL16S • DL32S SPECIFICATIONS CONTINUED...

Power

Power Requirements:	100 VAC – 240 VAC, 50 – 60 Hz, Universal Supply
Line Cord:	User-replaceable IEC
Power Consumption:	40 W [DL16S] 60 W [DL32S]
Operating Temperature [extended ambient temperature]:	32 – 104 °F / 0 – 40 °C

Physical Properties (product)

DL16S:

Height:	5.6 in / 142 mm
Width:	14.1 in / 358 mm
Depth:	5.8 in / 147 mm
Weight:	6.2 lb / 2.8 kg
Rack:	3U Rack Spaces

DL32S:

Height:	7.3 in / 185 mm
Width:	17.6 in / 447 mm
Depth:	5.8 in / 147 mm
Weight:	8.8 lb / 4.0 kg
Rack:	4U Rack Spaces

Physical Properties (packaged product)

DL16S:

Height:	9.8 in / 249 mm
Width:	17.0 in / 432 mm
Depth:	9.5 in / 241 mm
Weight:	10.2 lb / 4.6 kg

DL32S:

Height:	9.8 in / 249 mm
Width:	20.5 in / 521 mm
Depth:	11.3 in / 287 mm
Weight:	13.8 lb / 6.3 kg

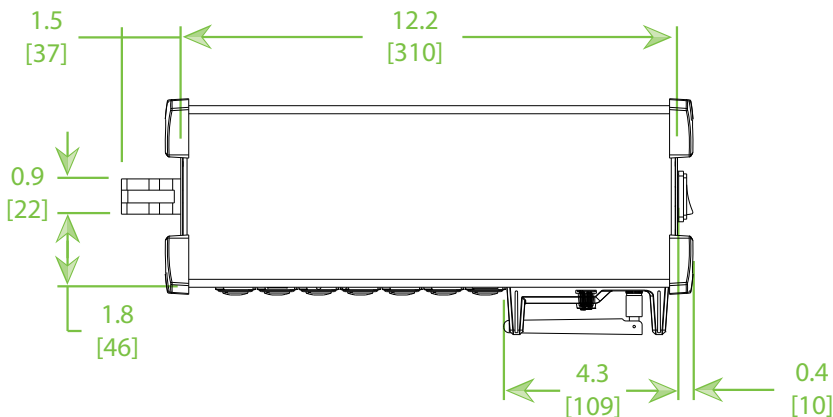
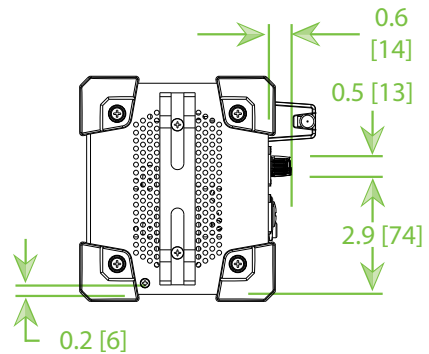
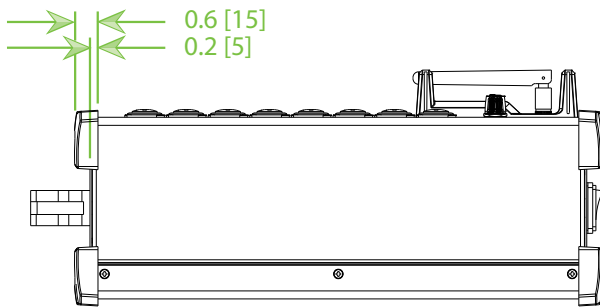
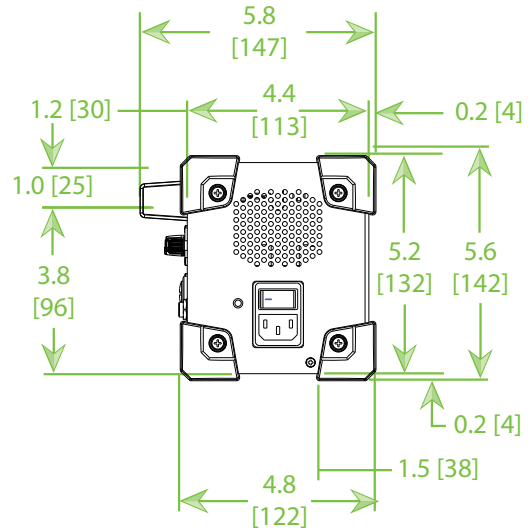
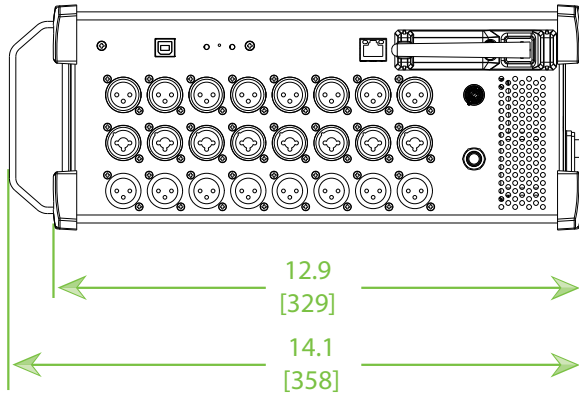
Options

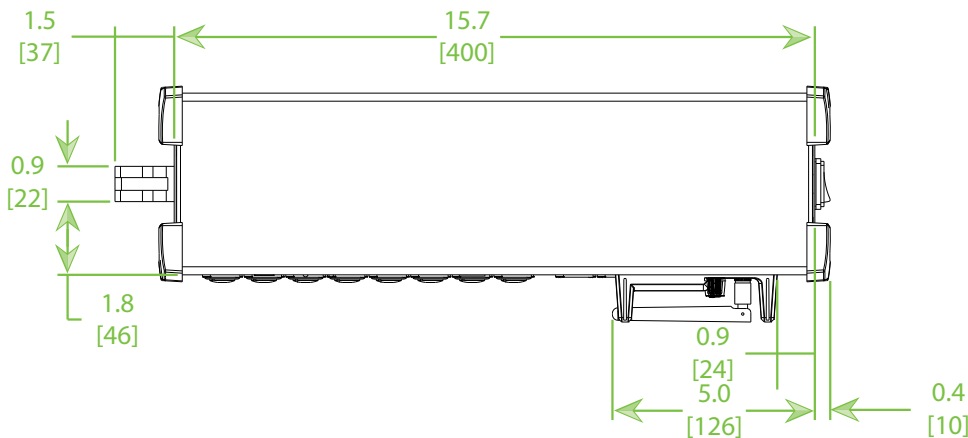
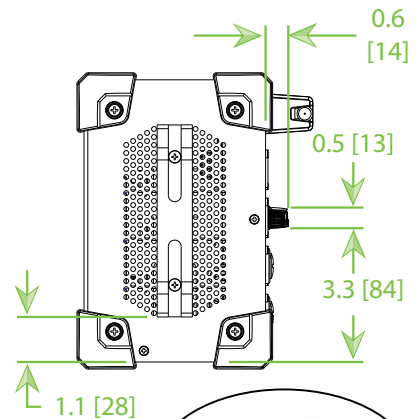
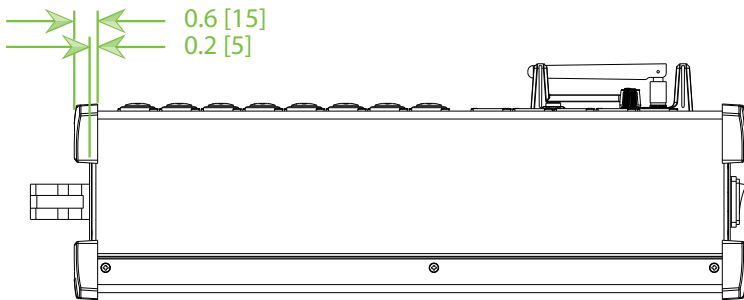
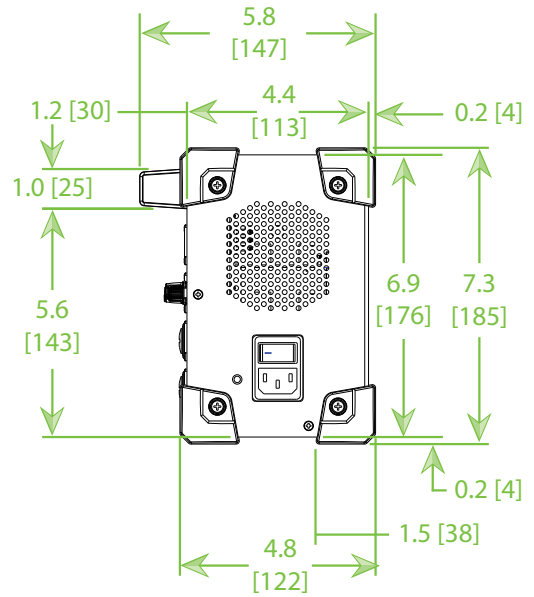
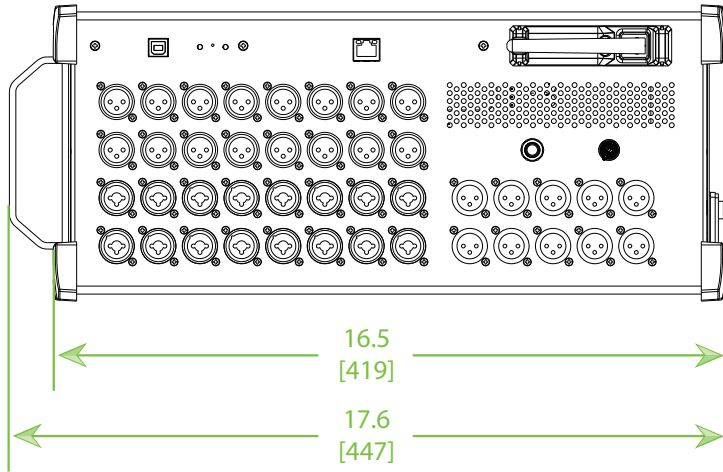
DL16S Bag:	P/N 2036809-46
DL32S Bag:	P/N 2036809-47

Ordering Information

DL16S 16-Channel Wireless Digital Live Mixer, US	P/N 2048990-00
DL16S 16-Channel Wireless Digital Live Mixer, EU	P/N 2048990-01
DL16S 16-Channel Wireless Digital Live Mixer, UK	P/N 2048990-03
DL16S 16-Channel Wireless Digital Live Mixer, AU	P/N 2048990-04
DL16S 16-Channel Wireless Digital Live Mixer, CN	P/N 2048990-05
DL16S 16-Chnl Wireless Digital Live Mixer, BZ ~120V	P/N 2048990-06
DL16S 16-Channel Wireless Digital Live Mixer, AR	P/N 2048990-07
DL16S 16-Channel Wireless Digital Live Mixer, KR	P/N 2048990-08

DL32S 32-Channel Wireless Digital Live Mixer, US	P/N 2049000-00
DL32S 32-Channel Wireless Digital Live Mixer, EU	P/N 2049000-01
DL32S 32-Channel Wireless Digital Live Mixer, UK	P/N 2049000-03
DL32S 32-Channel Wireless Digital Live Mixer, AU	P/N 2049000-04
DL32S 32-Channel Wireless Digital Live Mixer, CN	P/N 2049000-05
DL32S 32-Chnl Wireless Digital Live Mixer, BZ ~120V	P/N 2049000-06
DL32S 32-Channel Wireless Digital Live Mixer, AR	P/N 2049000-07
DL32S 32-Channel Wireless Digital Live Mixer, KR	P/N 2049000-08

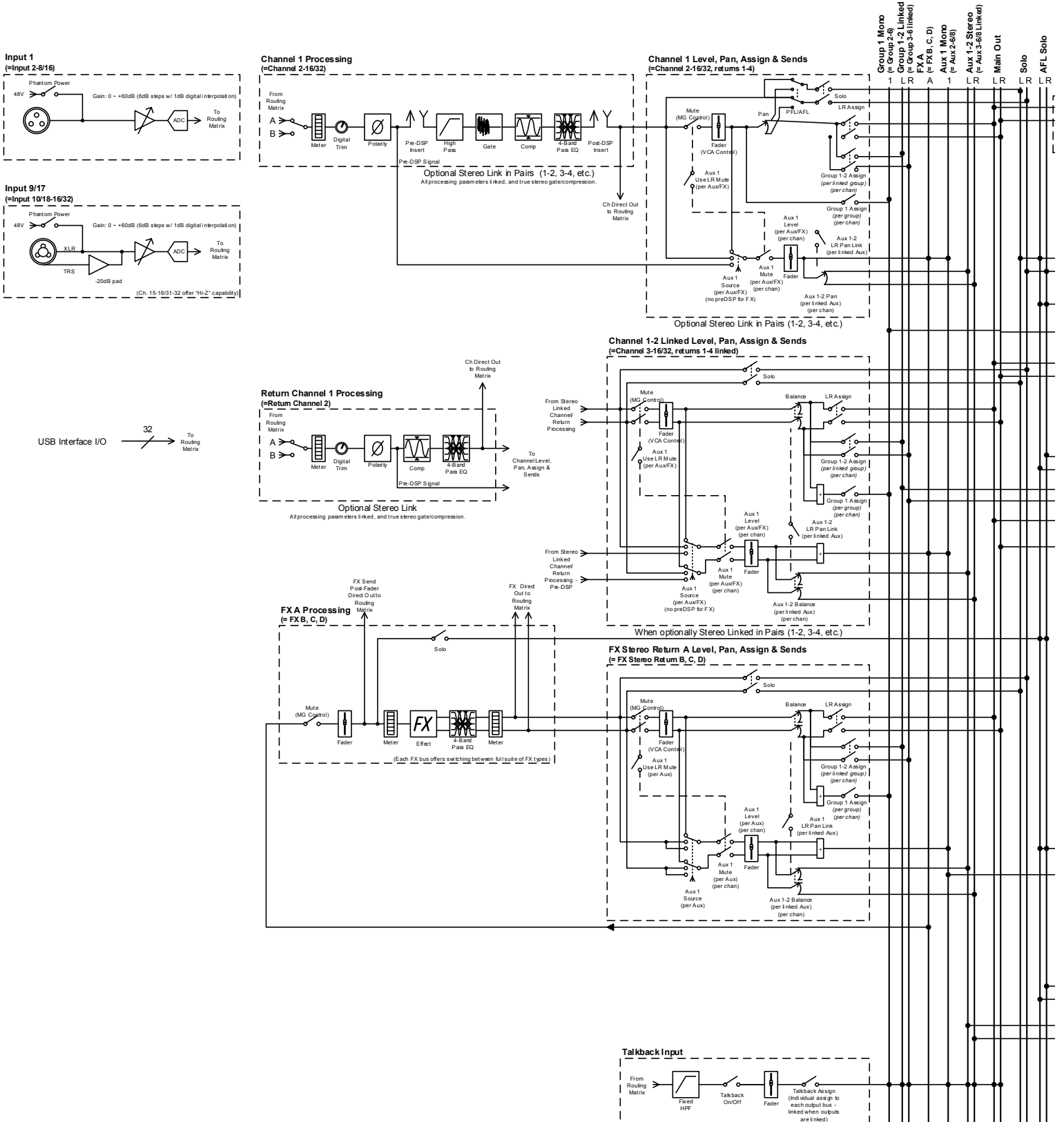
DL16S DIMENSIONS


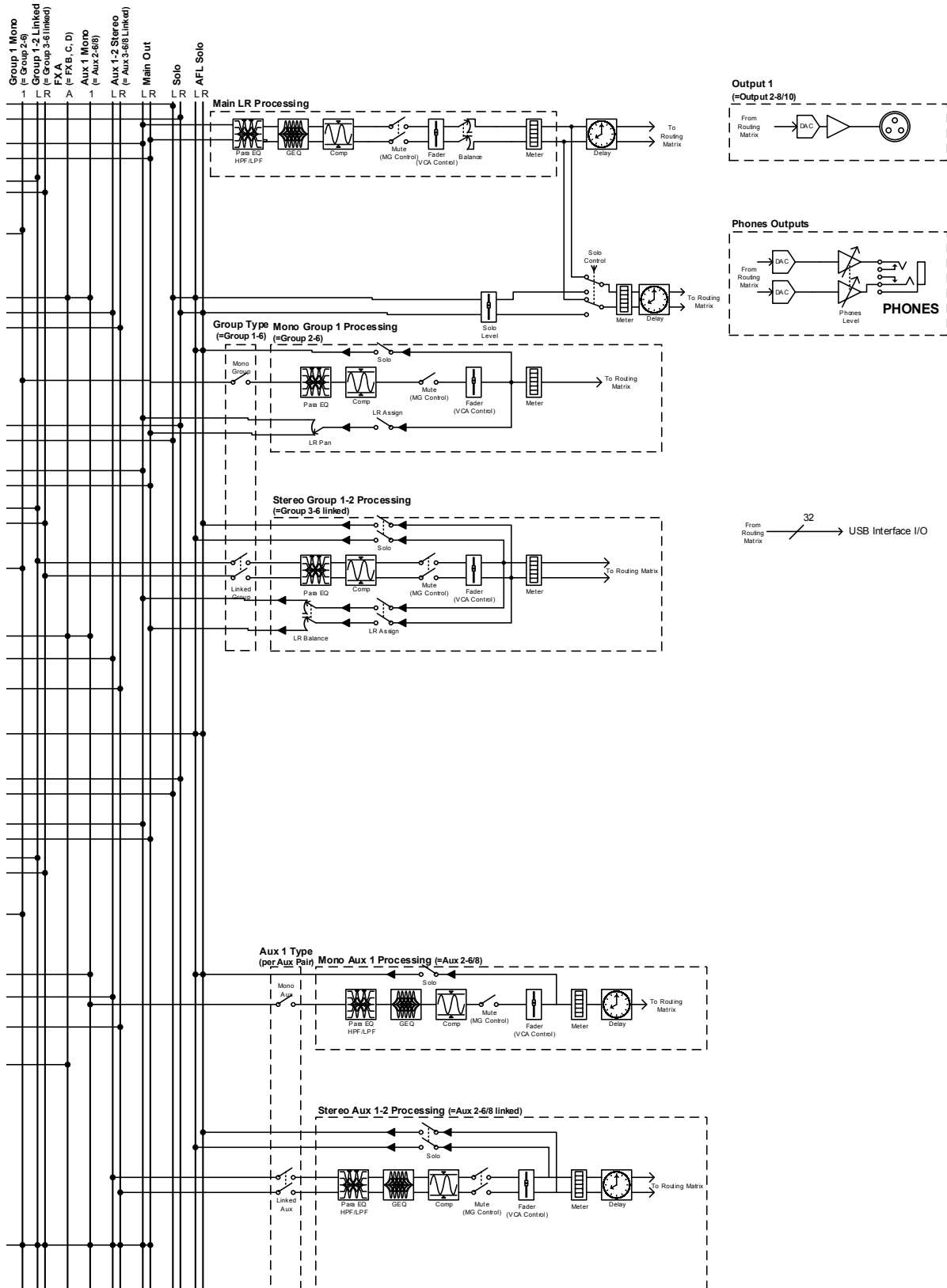
DL32S DIMENSIONS


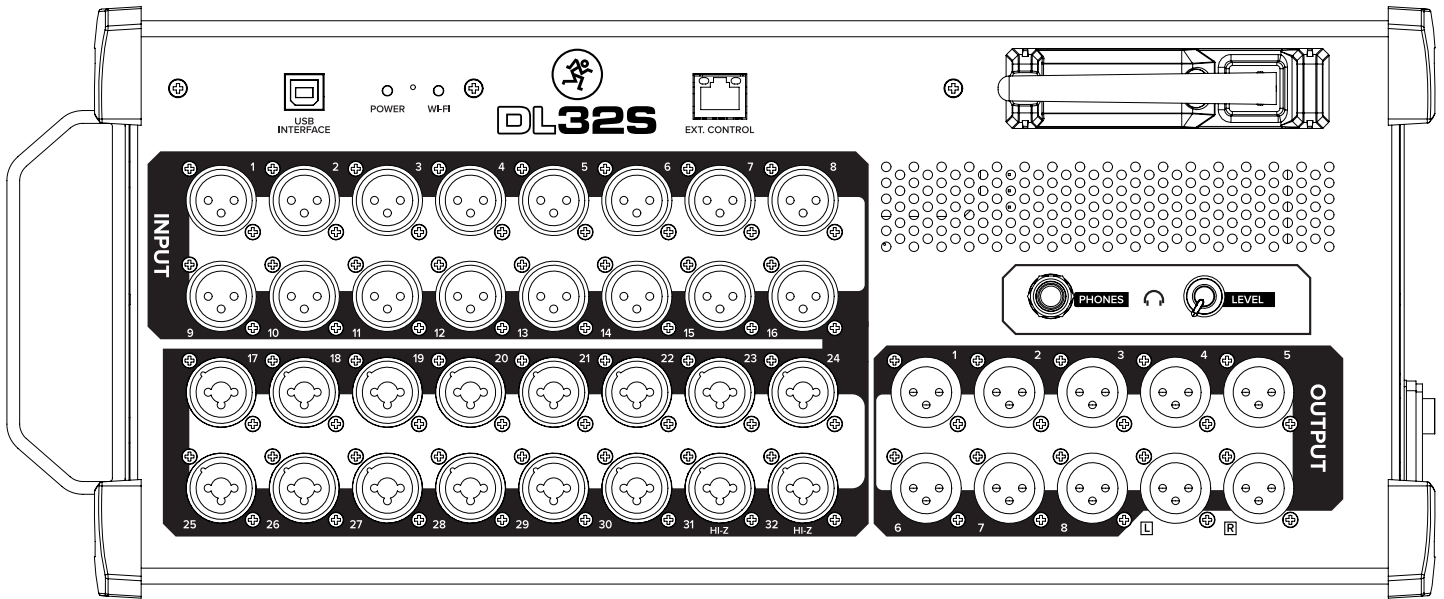
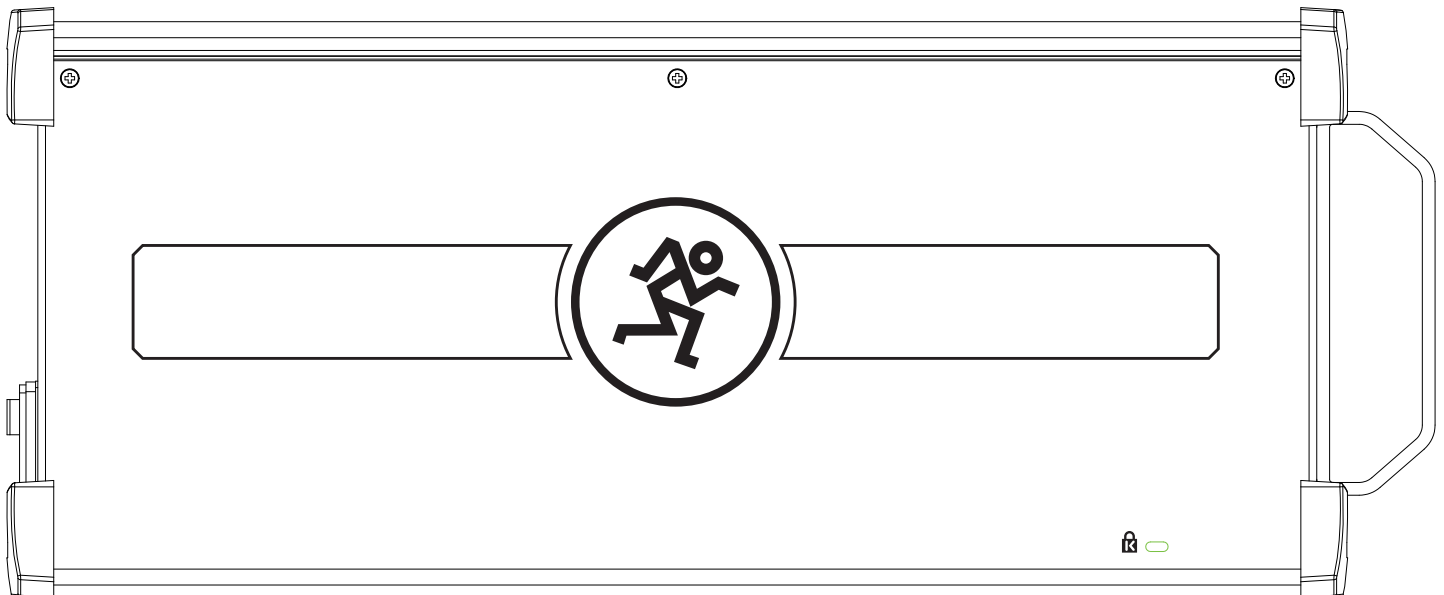
Weight
8.8 lb / 4.0 kg

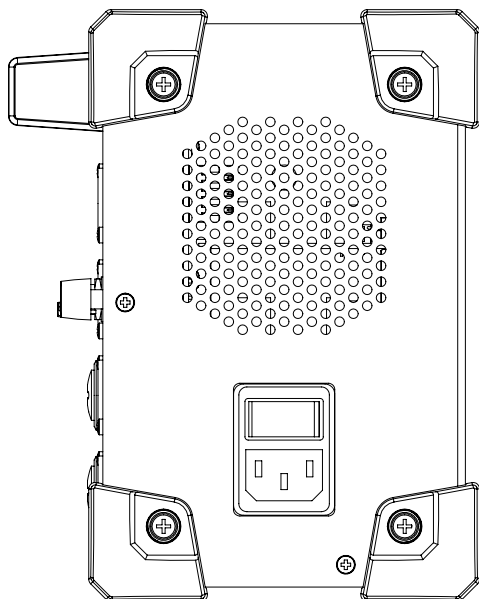


DL16S • DL32S BLOCK DIAGRAM



DL16S • DL32S BLOCK DIAGRAM


DL32S FRONT PANEL

DL16S • DL32S REAR PANEL


DL16S • DL32S SIDE PANEL


“Mackie” and the “Running Man” figure are registered trademarks of LOUD Audio, LLC. Apple, iPad and iPhone are trademarks of Apple Inc., registered in the U.S. and other countries. “Made for iPad” means that an electronic accessory has been designed to connect specifically to iPad and has been certified by the developer to meet Apple performance standards. Apple is not responsible for the operation of this device or its compliance with safety and regulatory standards. Please note that the use of this accessory with iPad may affect wireless performance. All other brands mentioned are trademarks or registered trademarks of their respective holders, and are hereby acknowledged. DL16S and DL32S Patent Pending.

LOUD Audio, LLC. is always striving to improve our products by incorporating new and improved materials, components, and manufacturing methods. Therefore, we reserve the right to change these specifications at any time without notice.

©2021 LOUD Audio, LLC. All rights reserved.

Electronic files for this product are available at:
www.mackie.com

Specification Sheet	DL16S_DL32S_SS.PDF
Owner's Manual	DL16S_DL32S_OM.PDF



Like us



Follow us



Watch our dang videos



www.mackie.com
 19820 North Creek Parkway #201
 Bothell, WA 98011 USA
 800-898-3211, Fax 425-487-4337

Part No. SW1265 Rev. B 01/21

11/11 PAGES