

SONY®

Audio Mixer

SRP-X100

The Sony SRP-X100 Audio Mixer is designed for use in business and educational applications. A total of nine stereo and monaural analog input channels are provided, with flexible routing to Master, Sub and Record outputs. Contained in a compact 1U size body, the elegantly simple design of the SRP-X100 makes operation intuitive. Sony analog audio technology provides excellent performance with high input headroom, extended frequency response, and low noise.



Main Features

- Two mono mic channels (Channels 1 - 2)
 - +48 V supply powering
 - 100 Hz high-pass filter to reduce handling and wind noise
 - XLR input connectors
- Four mono channels, Mic/Line switchable (Channels 3 - 6)
 - +48 V supply powering and 100 Hz high-pass filter in Mic mode
 - XLR input connectors
 - With Line Input mode selected, Channels 3 and 5 feed Left outputs, 4 and 6 feed Right outputs
- Three stereo line input channels (Channels 7 - 9)
 - Channel 9 configured to accept recorder output
 - Phono input connectors
- Wide, 30 dB headroom on mic inputs for simple, easy operation
- L/R Recorder bus output carries all inputs, except CH-9 stereo line input to avoid feedback
- Master L and R outputs, switchable to mono outputs. XLR connectors
- Record L and R outputs, pre Master fader. Phono connectors.
- Two, mono Sub outputs
- With the rear-panel Separate switch On, only Mic signals are available from the Sub output and only the Line inputs are available from the Master outputs
- All inputs and outputs via rear-panel mounted connectors
- Wide frequency range and excellent noise performance
- Mounts in a 19-inch EIA standard rack, 1U high
- Optional transparent front-panel cover (MU-11G) prevents accidental operation of controls

Specifications

AUDIO INPUTS

	Connector	Channel No. & function	Reference level	Max. input level	Input impedance
MONO	XLR-3-31	1-2 Mic	-60 dBu	-30 dBu	2.2 k Ω
		3-6 Mic/Line selectable	-60/+4 dBu	-30/+24 dBu	2.2/10 k Ω
STEREO	Phono	7-9 Line	-10 dBu	+24 dBu	47 k Ω

AUDIO OUTPUTS

	Connector	Channel No.	Reference level	Max. output level	Output impedance
REC	Phono	1 Stereo	-10 dBu	+10 dBu	Less than 470 k Ω
SUB	Phono	2	-15 dBu	+15 dBu	Less than 470 k Ω
MASTER	XLR-3-32	1 Stereo	+4 dBu	+24 dBu	Less than 47 k Ω

ELECTRICAL CHARACTERISTICS

	Conditions	Standard
Frequency response	5 Hz to 100 kHz, ref 1 kHz	+0.5/-2.0 dB
	20 Hz to 20 kHz, ref 1 kHz	+0.5/-1.0 dB
Total harmonic distortion	MONO IN - MASTER OUT 1 kHz, -44 dBu input	Less than 0.01 %
	MONO IN - MASTER OUT 1 kHz, -44 dBu input	Less than 0.005 %
	STEREO IN - MASTER OUT 1 kHz, -10 dBu input	Less than 0.005 %
Different input noise	IHF-A 150 Ω terminate	Less than -126 dBu
Residual Noise	Master Vol 0 position	Less than -83 dBu
	1 kHz, between L-R outputs	Less than -70 dB
Cross Talk	1 kHz, between channel	Less than -80 dB
	Channel Vol attenuation	More than 90 dB

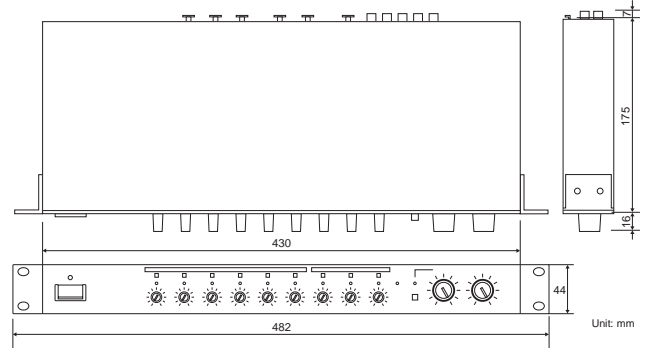
GENERAL

Signal Indicator	Green indicates at -20 dB of reference level
Storage Temperature	-20°C - +60°C
Operating Temperature	0°C - +40°C
Power Requirements	AC 120, 230 V Switchable 50/60 Hz*
Power Consumption	19 W
Dimensions	482 (W) x 44 (H) x 175 (D) mm (19 x 1 3/4 x 7 inches)
Mass	2.6 kg
Supplied Accessories	Power cord (2) one for 120 V, one for 230 V
Optional Accessory	MU-11G Front guard

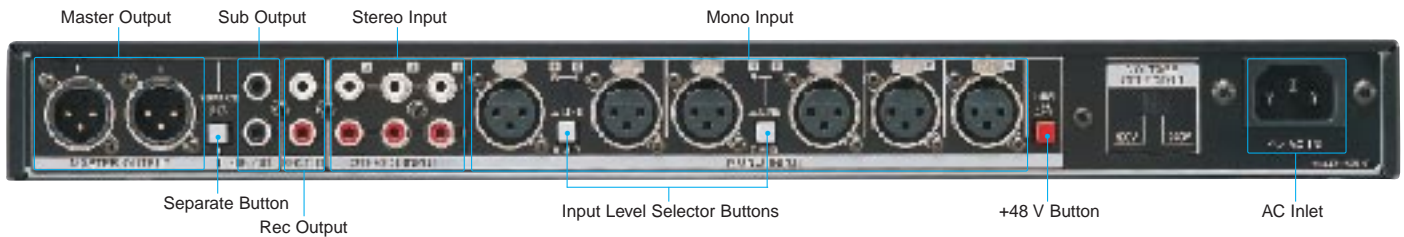
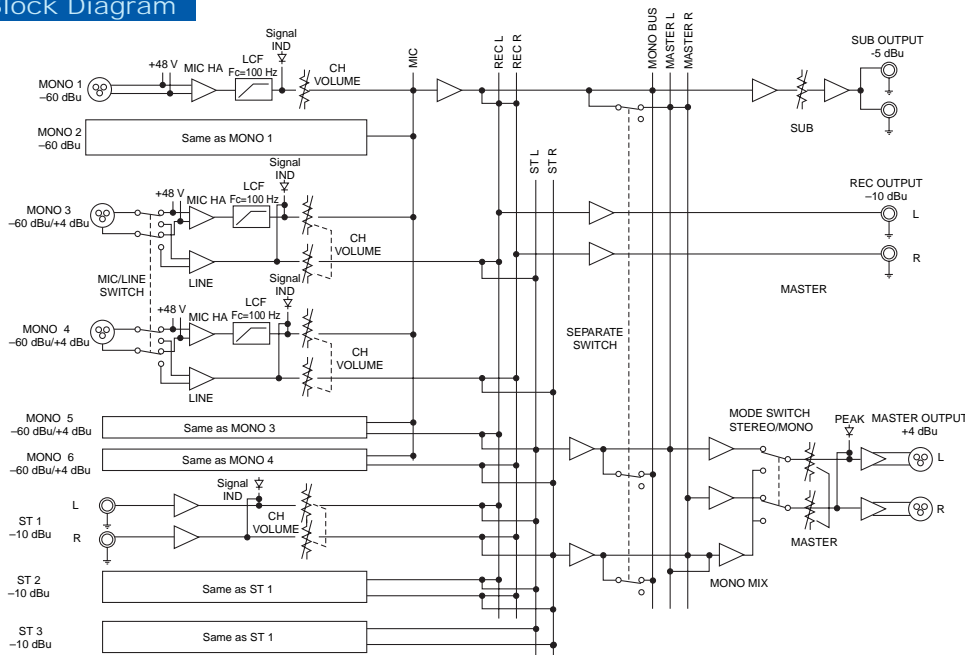
* Not available in USA

0 dBu = 0.775 Vrms

Dimensions



Block Diagram



Distributed by

© 2000 Sony Corporation. All rights reserved.
 Reproduction in whole or in part without written permission of Sony is prohibited.
 Features and specifications subject to change without notice.
 All non-metric weights and measures are approximate.
 Sony is trademark of Sony Corporation.
 All other trademarks are the property of their respective owners.