

MODEL UA844SWB ANTENNA DISTRIBUTION SYSTEM
RÉPARTITEUR D'ANTENNE MODÈLE UA844SWB
ANTENNENVERTEILERSYSTEM MODELL UA844SWB
SISTEMA DE DISTRIBUCION DE ANTENAS MODELO UA844SWB
SISTEMA DI DISTRIBUZIONE AD ANTENNE MODELLO UA844SWB
MODELO UA844SWB SISTEMA DA DISTRIBUIÇÃO DA ANTENAS
モデル UA844SWB アンテナ分配システム



MODEL UA844SWB ANTENNA DISTRIBUTION SYSTEM

The Shure Model UA844SWB is a UHF antenna distribution system that allows the expansion of wireless microphone systems by splitting one pair of antennas to multiple receivers. It also amplifies RF signals to compensate for insertion loss that results from splitting signal power to multiple outputs. A single UA844SWB system can support up to four wireless receivers. A maximum of five UA844SWB systems may be used in a two-tiered configuration. Refer to the illustration on page 11.

SYSTEM COMPONENTS

- *Front-mounting antenna hardware*
- *Rack-mounting hardware*
- *External power supply*
- *Antenna cables for receiver connections*
- *DC power cables for receiver connections*

SPECIFICATIONS

Carrier Frequency Range

470-952 MHz

Distributed RF Output Level (Gain)

-0.5 to 3 dB, 1 dB typical, from antenna input (unused ports terminated with 50 Ω)

Output Connector Isolation

30 dB, typical

Third Order Intercept Point (3 OIP)

21 dBm, typical

DC Input Voltage

14 to 18 Vdc

DC Output Voltage

14 to 18 Vdc, 4 connectors

Maximum Current Supply from DC Outputs

1.5 Amps

DC Antenna Voltage

12 Vdc

Impedance

50 Ω

RF Input/Output Antenna Connector Type

BNC

Operating Temperature Range

-7° C to 49° C (20° to 120° F)

Overall Dimensions

44.5 mm H x 482.6 mm W x 171.5 mm D (1.75 x 19 x 6.75 in.)

Net Weight

1.62 Kg (3.6 lbs)

Certification

UA844SWB: Authorized under the Declaration of Conformity provision of FCC Part 15. Certified under Industry Canada to RSS-123 (IC: 616A-UA844SWB). Conforms to European ETSI standards EN 301 489, Parts 1 and 9. Meets the essential requirements of the European R&TTE Directive 99/5/EC; eligible to carry the CE marking. ⒸⒺ

PS45US: Conforms to safety standard IEC 60065.

PS45E: Conforms to safety standard IEC 60065.

PS45UK: Conforms to safety standard IEC 60065.

OPTIONAL ACCESSORIES

Line Amplifier (470-900 MHz)	UA830WB
Line Amplifier (470-698 MHz)	UA830USTV
Line Amplifier (944-952 MHz)	UA830X
Powered Directional Antenna (470-900 MHz).....	UA870WB
Powered Directional Antenna (470-698 (MHz)	UA870USTV
Powered Directional Antenna (944-952 MHz).....	UA870X
1/2 Wave Antenna (774-862 MHz).....	UA820A
1/2 Wave Antenna (690-746 MHz).....	UA820B
1/2 Wave Antenna (662-698 MHz).....	UA820C
1/2 Wave Antenna (554-590 MHz).....	UA820D
1/2 Wave Antenna (746-784 MHz).....	UA820E
1/2 Wave Antenna (470-530 MHz).....	UA820G
1/2 Wave Antenna (518-578 MHz).....	UA820H
1/2 Wave Antenna (638-698 MHz).....	UA820L
1/2 Wave Antenna (944-952 MHz).....	UA820X
2 ft. BNC-BNC Cable	UA802
6 ft. BNC-BNC Cable	UA806
25 ft. BNC-BNC Cable	UA825
50 ft. BNC-BNC Cable	UA850
100 ft. BNC-BNC Cable	UA8100

REPLACEMENT PARTS

Hardware Kit	90VL1371
Bulkhead Adapters.....	95A8647
Power Cables for SLX Receivers.....	95A8373
Power Cables for ULX Receivers	95A8420
Power Supply.....	PS45US
Power Supply.....	PS45E
Power Supply.....	PS45UK

LICENSING INFORMATION

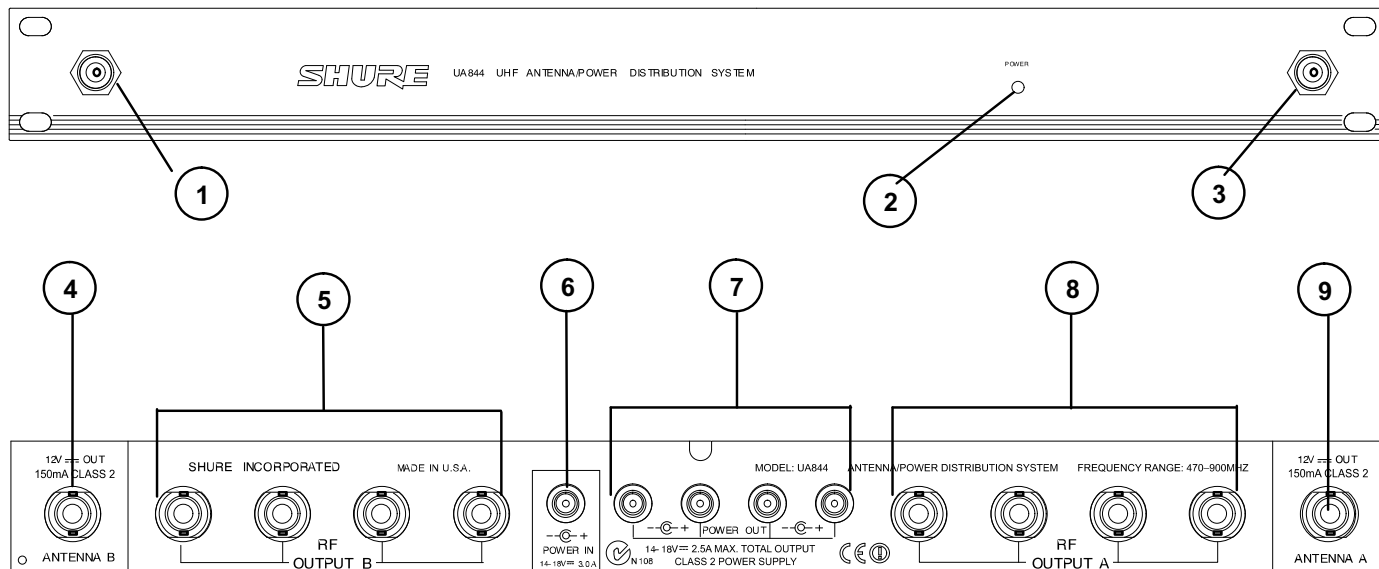
Note that a ministerial license to operate this equipment may be required in certain areas. Consult your national authority for possible requirements.

Changes or modifications not expressly approved by Shure Incorporated could void your authority to operate the equipment. Licensing of Shure wireless microphone equipment is the user's responsibility, and licensability depends on the user's classification and application, and on the selected frequency. Shure strongly urges the user to contact the appropriate telecommunications authority concerning proper licensing, and before choosing and ordering frequencies.

IMPORTANT: THIS RADIO EQUIPMENT IS INTENDED FOR USE IN PROFESSIONAL ENTERTAINMENT (CLASS I) AND SIMILAR APPLICATIONS.

NOTE: THIS EQUIPMENT MAY BE CAPABLE OF OPERATING ON SOME FREQUENCIES NOT AUTHORIZED IN YOUR REGION. PLEASE CONTACT YOUR NATIONAL AUTHORITY TO OBTAIN INFORMATION ON AUTHORIZED FREQUENCIES FOR WIRELESS MICROPHONE PRODUCTS IN YOUR REGION.

FRONT AND REAR PANELS PANNEAUX AVANT ET ARRIÈRE VORDERE UND RÜCKWANDBLECHE
 PANELES DELANTEROS Y TRASEROS PANNELLI ANTERIORE E POSTERIORE PAINÉIS DIANTEIROS E TRASEIROS
 フロントおよびリアパネル

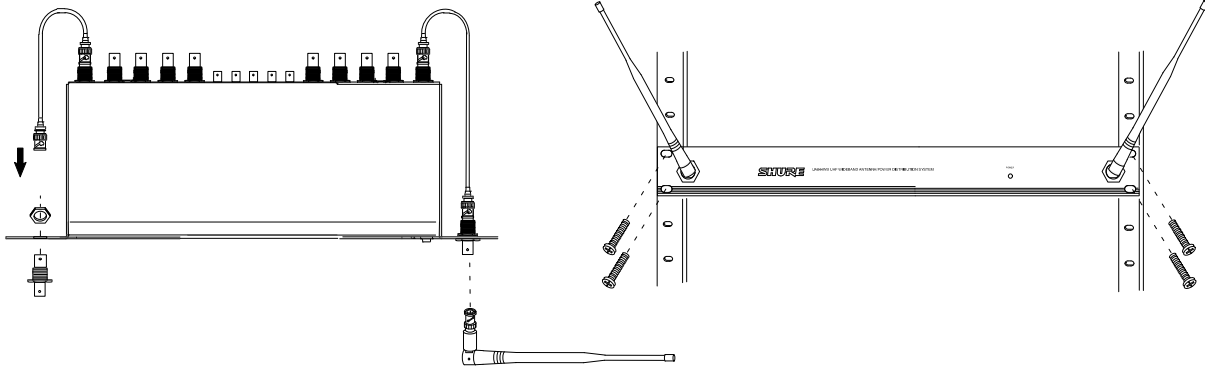


- | | | |
|------------------------------|--------------------------------------|-------------------------------------|
| 1. Antenna A Connector | 1. Connecteur ANTENNE A | 1. ANTENNE-Anschlüsse A |
| 2. Power Indicator | 2. Temoin d'alimentation | 2. Betriebsanzeige |
| 3. Antenna B Connector | 3. Connecteur ANTENNE B | 3. ANTENNE-Anschlüsse B |
| 4. RF Input, Antenna B | 4. Connecteur RF ENTREE, Antenne B | 4. HF-EINGANG-Anschlüsse, ANTENNE B |
| 5. RF Output B Connectors | 5. Connecteurs RF SORTIE B | 5. HF-AUSGANG-Anschlüsse B |
| 6. 14 to 18 Vdc Power Input | 6. Connecteurs ENTREE 14 à 18 V c.c. | 6. 14-18 Vdc EIN |
| 7. 14 to 18 Vdc Power Output | 7. Connecteurs SORTIE 14 à 18 V c.c. | 7. 14-18 Vdc AUS |
| 8. RF Output A Connectors | 8. Connecteurs RF SORTIE A | 8. HF-AUSGANG-Anschlüsse A |
| 9. RF Input, Antenna A | 9. Connecteur RF ENTREE, Antenne A | 9. HF-EINGANG-Anschlüsse ANTENNE A |

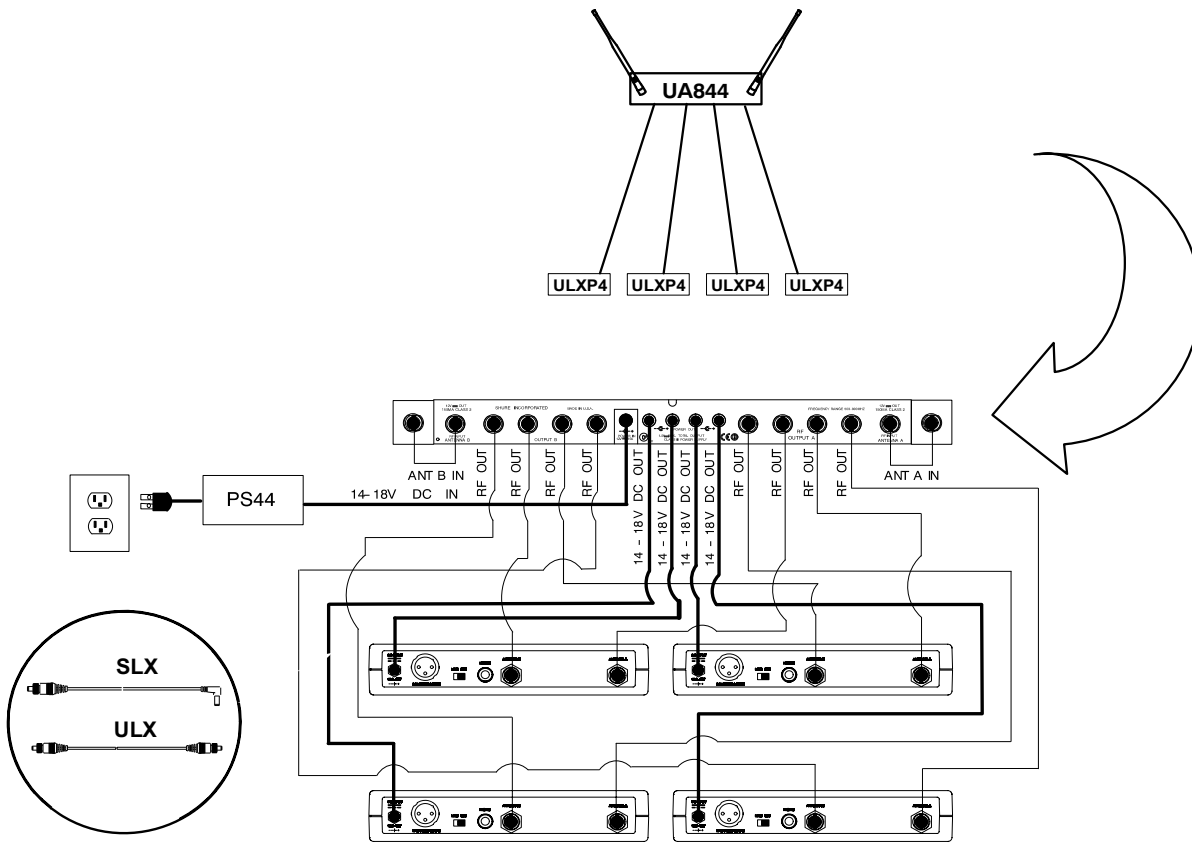
- | | |
|---|---|
| 1. Conector de antena A | 1. Connettore di antenne A |
| 2. Indicador de encendido | 2. Spia di alimentazione |
| 3. Conector de antena B | 3. Connettor di antenne B |
| 4. Entrada RF, antena B | 4. Ingresso RF, antenne B |
| 5. Salida RF B | 5. Uscita RF B |
| 6. Entrada de alimentación de 14 a 18 VCC | 6. Ingresso dell'alimentazione di 14 a 18 VCC |
| 7. Salida de alimentación de 14 a 18 VCC | 7. Uscita dell'alimentazione di 14 a 18 VCC |
| 8. Salida RF A | 8. Uscita RF A |
| 9. Entrada RF, antena A | 9. Ingresso RF, antenne A |

- | | |
|--|-----------------------|
| 1. Conector de antena A | 1. アンテナ A コネクタ |
| 2. Indicador de alimentação | 2. 電源インジケータ |
| 3. Conector de antena B | 3. アンテナ B コネクタ |
| 4. Conector de entrada RF, antena B | 4. RF 入力端子、アンテナ B |
| 5. Conectores de saída RF B | 5. RF 出力 B コネクタ |
| 6. Conector de entrada de alimentação de 14 a 18 Vc.c. | 6. DC 14 ~ 18V 電源入力端子 |
| 7. Conector de saída de alimentação de 14 a 18 Vc.c. | 7. DC 14 ~ 18V 電源出力端子 |
| 8. Conectores de saída RF A | 8. RF 出力 A コネクタ |
| 9. Conector de entrada RF, antena A | 9. RF 入力端子、アンテナ A |

INSTALLATION INSTALACIÓN INSTALLAZIONE INSTALAÇÃO 取付方法



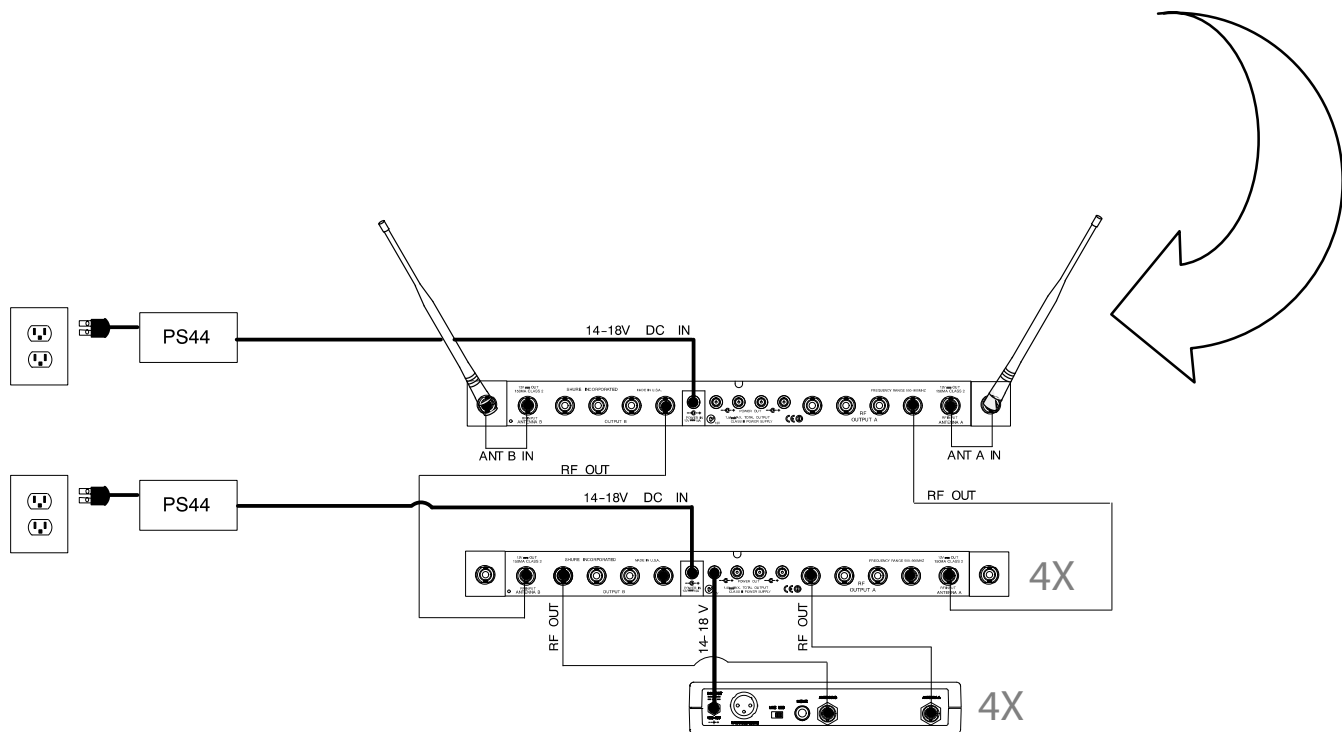
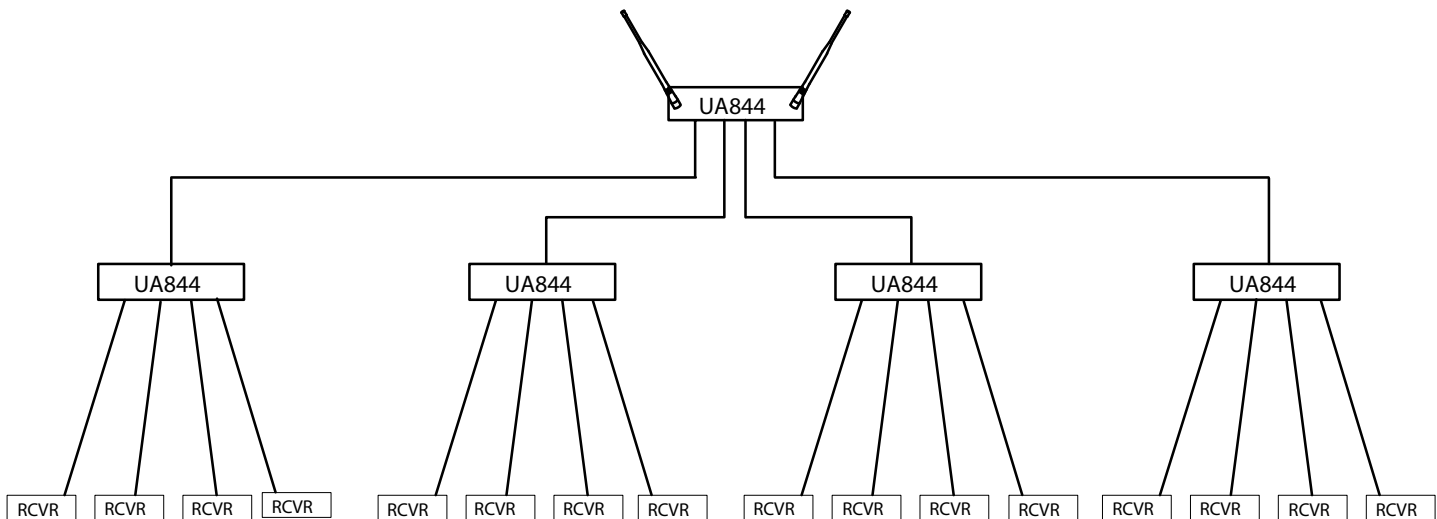
CABLE CONNECTIONS, ONE UA844 BRANCHMENTS DU CÂBLE, UN UA844 KABELVERBINDUNGEN, EIN UA844
 CONEXIONES DE CABLE, UN UA844 COLLEGAMENTI DI CAVO, UN UA844 CONEXÕES DE CABO, UM UA844
 ケーブルの接続方法, 1 UA844



CABLE CONNECTIONS, MULTIPLE UA844 SYSTEMS
 KABEL VERBINDUNGEN, MEHRFACHE UA844 SYSTEME
 COLLEGAMENTI DI CAVO, SISTEMI UA844 MULTIPLI

BRANCHMENTS DU CÂBLE, SYSTÈMES MULTIPLES
 CONEXIONES DE CABLE, SISTEMAS UA844 MÚLTIPLES
 CONEXÕES DE CABO, SISTEMAS UA844 MÚLTIPLOS

ケーブルの接続方法 (複数システム用)



EU DECLARATION OF CONFORMITY

We,
of

Shure Incorporated
5800 Touhy Avenue
Niles, Illinois, 60714-4608 U.S.A.
Phone: (847) 600-2000
Web: www.Shure.com

Declare under our sole responsibility that the following product

Model: UA844SWB Description: Antenna Distribution Amplifier

conforms to the essential requirements of
European Low Voltage Directive 2006/95/EC
European EMC Directive 2004/108/EC

The product complies with the following product family, harmonized or national standards:

EN 301 489-1 V1.4.1 (2002-08)
EN 301 489-9 V1.2.1 (2002-08)
VDE GS Certified
EN61000-3-2:2000 Amendment A1:1998; A2:1998; A14:2000
EN 61000-3-3 Amendment A1:2001

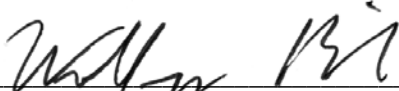
The technical documentation is kept at:

Shure Incorporated, Corporate Quality Engineering Division
SHURE Europe GmbH, EMEA Approval

Manufacturer: Shure Incorporated

Signed:  Date: 31 October 2007
Name and Title: Craig Kozokar, EMC Project Engineer, Corporate Quality Engineering Division

European Representative: SHURE Europe GmbH

Signed:  Date: 31 October 2007
Name and Title: Wolfgang Bilz, Dipl. Ing. (FH), EMEA Approval

SHURE Europe GmbH
Headquarters Europe, Middle East & Africa
Wannenäcker Str. 28
D-74078 Heilbronn, Germany
Phone: +49 - (0)7131 - 7214 - 0
Fax: +49 - (0)7131 - 7214 - 14

SHURE®

United States:
Shure Incorporated
5800 West Touhy Avenue
Niles, IL 60714-4608 USA

Phone: 847-600-2000
Fax: 847-600-1212
Email: info@shure.com

Europe, Middle East, Africa:
Shure Europe GmbH
Wannenäckerstr. 28,
74078 Heilbronn, Germany

Phone: 49-7131-72140
Fax: 49-7131-721414
Email: info@shure.de

Asia, Pacific:
Shure Asia Limited
Unit 301, 3rd Floor
Citicorp Centre
18, Whitfield Road
Causeway Bay, Hong Kong

Phone: 852-2893-4290
Fax: 852-2893-4055
Email: info@shure.com.hk

**Canada, Latin America,
Caribbean:**
Shure Incorporated
5800 West Touhy Avenue
Niles, IL 60714-4608 USA

Phone: 847-600-2000
Fax: 847-600-6446
Email: international@shure.com