

WA593 Half Rack Stack Pack

The WA593 Half Rack Stack Pack is designed to attach two Shure half-rack units together into a single portable pack. This eliminates the need for a 19-inch rack. The following units are compatible with the WA593:

- P2T
- P4T
- P4M
- ULXS4
- ULXP4
- SCM262
- SCM268
- DFR11EQ
- DP11EQ

Setup Instructions:

1. Attach the handle to either of the two supplied brackets, as illustrated in Figure 1.
2. Choose which of the two units will be on top and which will be on the bottom and begin with the bottom unit.

Note: We recommend that units be oriented in the same way: both facing front and both right-side up.

3. Attach the bracket with the handle to the bottom of the unit, using two of the supplied screws.
4. Stack the top unit on the bottom unit.
5. Attach the handle bracket to the top unit using two of the supplied screws
6. Attach the remaining bracket to the other side in the same manner. Refer to figure 2.
7. Attach the supplied rubber feet to the bottom of the stack, or onto the side of the stack opposite the handle.

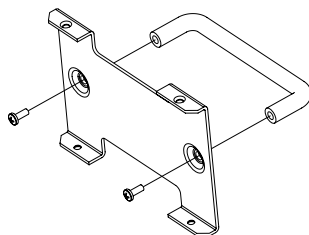


Figure 1

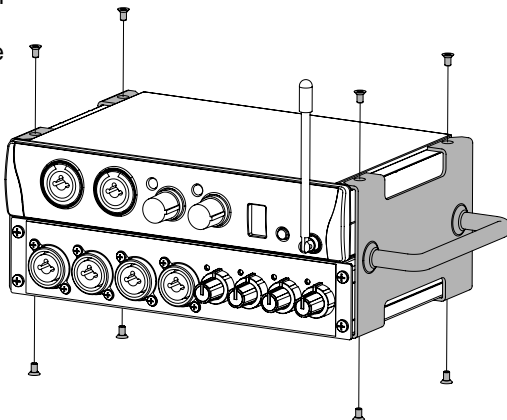


Figure 2