

WA596 Stand Adapter

The WA596 Stand Adapter enables PSM users to adjust their personal monitor mix on stage, and provides convenient equipment access to users of other Shure half-rack units. The WA596 Stand Adapter attaches to almost any microphone stand, as well as many other types of instrument stands. The following units are compatible with the WA596: P2T, P4T, P4M, ULXS4, ULXP4, SCM262, SCM268, DFR11EQ, DP11EQ.

Setup Instructions

Install the WA596 on the instrument or microphone stand:

1. Place the panel on a flat surface, clamp-side up.
2. Unscrew the hex nut and wing nut from the clamp, setting aside the nuts and the washers.
3. Remove the back of the clamp, setting aside the spring.
4. Position the panel on the front of the stand, just under the adjustment knob, or halfway up the stand if there is no adjustment knob.

Note: If attaching to a microphone stand, we recommend attaching the WA596 **BELOW** the adjustment knob in the middle. This will help prevent tipping by keeping the center of gravity low on the stand.

5. Place the spring on the bolt to which you will attach the wing nut.
6. Place the back of the clamp against the back of the stand, mating the two sides of the clamp.
7. Put a washer on the bolt without the spring and attach the hex nut. Tighten it just enough to hold both sides of the clamp together.
8. Place the other washer on the bolt with the spring and attach the wing nut.
9. Tighten both the hex nut and wing nut so that there is an even amount of space between each side of the clamp. This will keep the attached equipment stable.
10. When you have almost fully tightened both nuts, the wing nut will allow you to tighten the clamp enough so that it is firmly attached to the stand.
11. Attach your equipment to the panel, following the instructions below.

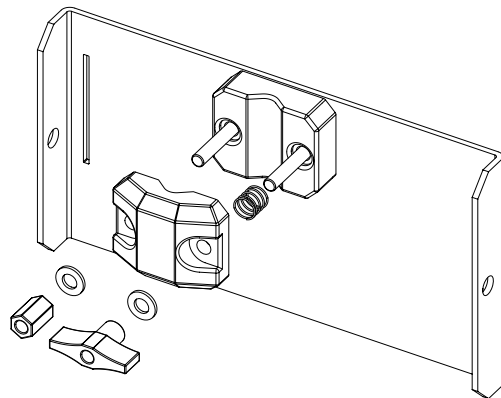


Figure 1: WA596 Disassembly

Attaching a single rack-mount unit to the WA596.

1. Place the unit against the flat panel to make sure that it is facing the correct direction.
2. Attach the single mount brackets to each side of the unit with the supplied screws, making sure the two attachment tabs face the flat panel.
3. Push the two attachment tabs on the brackets through the slots in the panel and press down to lock them.
4. Insert the supplied pins through the tabs to secure them.

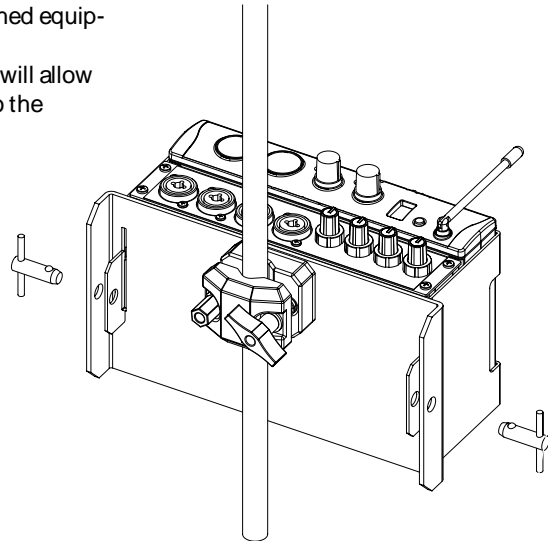


Figure 2: WA596 Assembled

Attaching two rack-mount units to the WA596.

1. Choose which of the two units will be against the panel and which will be on the outside.
2. Attach the first bracket to the bottom of the outside unit with two of the supplied screws. Make sure that the tab on the bracket faces the flat panel.
3. Place the inside unit against the outside unit. Attach the same bracket to the top of the inside unit using two screws.
4. Attach the second bracket to the other side of both units in the same manner.
5. Push the two attachment tabs on the brackets through the slots in the panel and press down to lock them.
6. Insert the supplied pins through the tabs to secure them.