



H A Harman International Company

C 400 BL

Boundary Layer Microphones

Description

Extremely cost efficient unidirectional boundary layer microphone for on table use. The frequency range is optimized for speech. Noise reduction: DNC – Dual Noise Canceling – by noise reduction through limited pickup area and limited pickup frequency. The connector is 3 Pin XLR (B-Lock Jack for C 400 BL-1)

Specifications

Transducer Principle:	condenser prepolarized
Frequency Range:	40–14,000 Hz
Polar Pattern:	hypercardioid
Sensitivity at 1,000 Hz:	13.5 mV/Pa (-37 dBV)
Equivalent Noise Level:	< 32 dB-A
Sound Pressure Level for 1 % THD	115 dB
S/N Ratio (A-weighted):	> 62 dB
Electr. Impedance:	< 200 ohms
Load Impedance:	> 2,000 ohms
Power Requirement:	1.5 to 15 volts
Connector:	3-Pin XLR-type (B-Lock Jack for C 400 BL-1)
Cable Length:	1.5 m (5 ft.)
Finish:	non reflective black
Size:	43 x 23 x 13 mm (1.7 x 0.9 x 0.5 in.)
Net Weight:	5.5 g (0.2 oz.)
Special Features/Applications:	microphone for all PC applications
Included Accessories:	clip on mounting plate, phantom power adapter (for C 400 BL)
Optional Accessories:	B 18 battery power supply N 62 E, N 66 E AC power supplies PA 400 phantom power adapter (for C 400 BL-1)

Features

- Small & inconspicuous
- Speech optimized
- Unidirectional pickup
- Repaintable

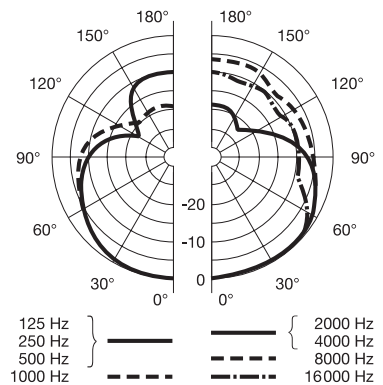
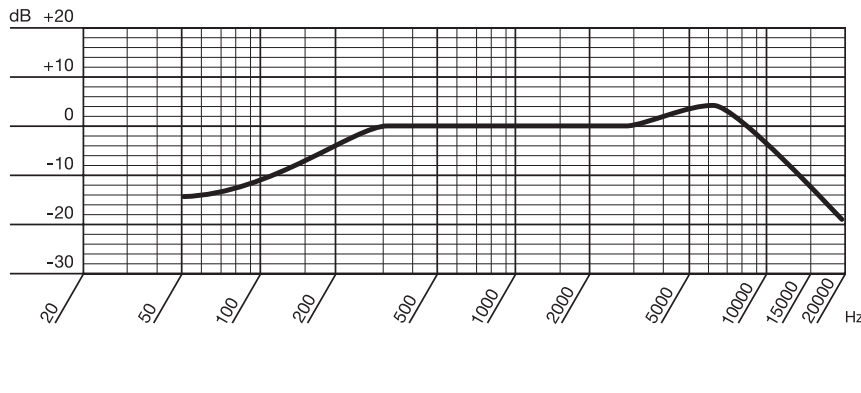


Architect's and Engineer's Specifications

The microphone shall be a unidirectional boundary layer microphone for on table use. The frequency range shall be optimized for speech. Noise reduction shall be done in two ways. One by limiting pickup area and one by limiting pickup frequency. The connector shall be 3-Pin XLR (B-Lock Jack for C 400 BL-1).

Supply voltage shall be 9 to 52 volts. Phantompower (1.5 to 15 volts for C 400 BL-1). Colour: Non reflective black. The microphone shall be an AKG C 400 BL.

Graphical Data



AKG is constantly improving and modifying its products, therefore, specifications are subject to change without notice.

Limited Warranty

Valid only in the United States. AKG Acoustics warrants AKG products against defects in material or workmanship for a period of one year from the date of original purchase for use, and agrees to repair or, at our option, replace any defective unit without charge for either parts or labor. Important: This warranty does not cover damage resulting from accident, misuse or abuse, lack of reasonable care, the affixing of any attachment not provided with the product, loss of parts or connecting the product to any but the specified receptacles. This warranty is void unless service or repairs are performed by an authorized service center.

No responsibility is assumed for any special, incidental or consequential damages. However, the limitation of any right or remedy shall not be effective where such is prohibited or restricted by law. Simply take or ship you AKG product prepaid to our service department. Be sure to include your sales slip as proof of purchase date. (We will not repair transit damage under the no-charge terms of this warranty.) Note: No other warranty, written or oral is authorized by AKG Acoustics, Inc. This warranty gives you specific legal rights, and you may also have other rights which vary from state to state. Some states do not allow the exclusion or limitation of incidental or consequential damages or limitation on how long an implied warranty lasts, so the above exclusions and limitation may not apply to you.

Microphones · Headphones · Wireless Microphones · Wireless Headphones · Headsets · Electroacoustical Components



H A Harman International Company

AKG Acoustics GmbH
Lemböckgasse 21-25, P.O.B. 158, A-1230 Vienna/AUSTRIA
Tel: (43 1) 86 654-0*, Fax: (43 1) 86 654-516
Internet: <http://www.ake-acoustics.com>

AKG Acoustics; A Division of Harman Pro Germany
Bodenseestraße 228, D-81243 München/GERMANY
Tel: (089) 87 16-0, Fax: (089) 87 16-200

Arbiter Pro Audio
Wilberforce Road, London NW9 6AX/ENGLAND
Tel: (0181) 202 1199, Fax: (0181) 202 7076

AKG ACOUSTICS, U.S.
1449 Donelson Pike, Airpark Business Centre 12,
Nashville, TN 37217, U.S.A.
Tel: (615) 360-0499, Fax: (615) 360-0275

Studer Japan Ltd.
2-43-7, Uehara, Shibuya-ku, Tokyo 151-0064/JAPAN
Tel: (813) 3465-2211, Fax: (813) 3465-2214

Erikson Pro Audio
620 McCaffrey, St-Laurent, Quebec, H4T 1N1, CANADA
Tel: (514) 738-3000, Fax: (514) 737-5069
Internet: www.jam-ind.com/eriksonpro