

AudioPressBox®

APB-320 C-USB

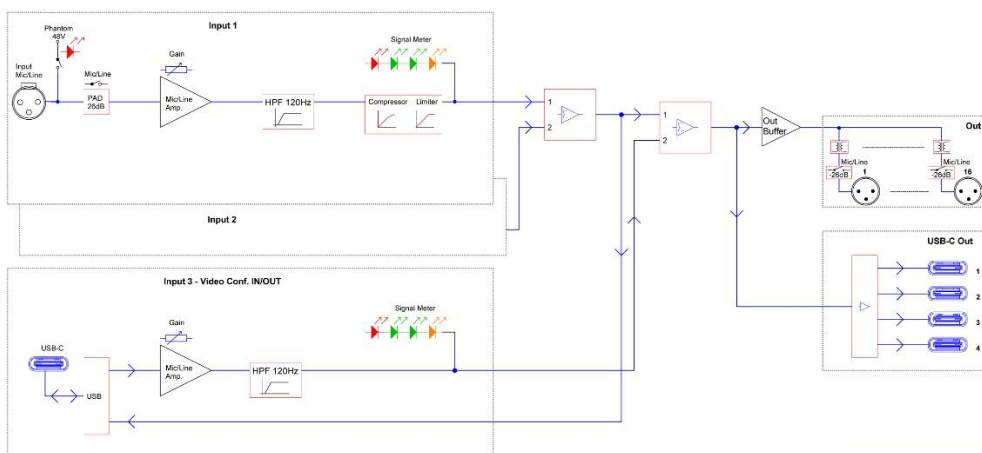
AudioPressBox – Active, portable, 2x MIC/Line In, 1x USB-C In & Out, 16x Line/MIC Out, 4x USB-C Out
AccuPack 20 hours



Features

- 2 Analog MIC (phantom power) / LINE Inputs – balanced with gain control and 26dB PAD
- 1 Digital USB-C input & output
- 16 Analog High quality independent transformer balanced and isolated outputs
- 4 Digital USB-C outputs
- Analog Outputs are switchable between MIC or LINE level
- Built-in Compressor and Limiter for analog Inputs
- On unit printed QR code for online acces to manual, user guide and video guide
- Li-Ion AccuPack with microprocessor controlled battery management
- 20 hour full load capacity. Note: AccuPack is placed inside the unit

BLOCK DIAGRAM APB-320 C-USB



AudioPressBox
APB-320 C-USB

Audio Press Box[®]

| Audio Press Box APB-320 C-USB | | |
|-------------------------------|---|----------------------|
| Type | 3 in 20 out | |
| Groups | 1 | |
| Inputs | 2 analog, 1 digital | |
| Input connectors | Balanced, XLR | |
| Input Gain | Mic: +22/+62dB | Line: -4/+36dB |
| Max. input level | Mic: -10/-30dBu | Line: +36/-4dBu |
| Phantom Voltage | 48V | |
| Input Impedance | Mic: 2,4 k Ω | Line: 3,5 k Ω |
| Input connector | USB Type C | |
| Compliant USB Specificaion | USB 2.0 | |
| Input Gain | - ∞ / +6 dB | |
| Supported Sampling Rates | 32kHz, 44.1kHz, 48kHz | |
| Bit Depth | 16-Bit | |
| Outputs | 16 Analog with Line/ MIC level, 4 Digital | |
| Output connectors | Balanced, XLR | |
| Nominal Output Level | +6dBu | |
| Maximum Output Level | +20dBu (no load) +14dBu (600 Ω) | |
| Output impedance | Mic: 220 Ω | Line: 600 Ω |
| Transformer isolated outputs | Yes (each output) | |
| SNR | 86dB | |
| Frequency Response | 120Hz to 30kHz/ -3dB | |
| Output connector | USB Type C | |
| Compliant USB Specification | USB 2.0 | |
| Supported Sampling Rates | 8kHz, 11.025kHz, 16kHz, 22.05kHz, 32kHz, 44.1kHz, 48kHz | |
| Bit Depth: | 16-Bit | |
| Interface Powering: | Internal | |
| Controls | | |
| Input section | 26dB PAD, Input gain, Phantom | |
| Output section | Power switch, Output PAD | |
| Power | | |
| Power Supply | 24V DC, 1A external adaptor | |
| Battery | Li-Ion, 14,4V 2200mAh | |
| Battery operation time | up to 20 hours | |
| Mechanical | | |
| Dimensions (WxHxD) | 370x 120x 300mm | |
| Weight | 4.7 kg | |