



# Large Flat Screen Wall Mount with Tilt and Swivel

For more information please visit [www.btechavmounts.com/BTV511](http://www.btechavmounts.com/BTV511)

**BTV511**

Registered Design Number: 001713280-0023



## BTV511

### Large Flat Screen Wall Mount with Tilt and Swivel

**Designed for screens up to 52" (132cm) / 50kg (110lbs)**

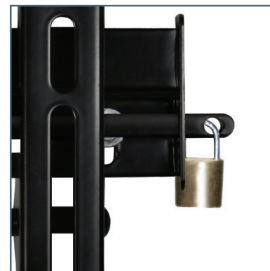
- Fits screens with mounting patterns up to: H: 430mm (16.9") x V: 400mm (15.7") including VESA® patterns up to 400 x 400mm
- 5 fixed tilt positions up to +15°
- Mounts screen only 44mm (1.73") from wall
- Includes locking bar for secure installation
- Suitable for concrete, brick or stud walls up to 16"
- Post-installation screen alignment
- Simple hook-on installation with all mounting hardware included
- Available in Black



Low profile design mounts screen only 44mm (0.8") from wall



5 fixed tilt positions up to +15°



Locking bar for secure installation\*



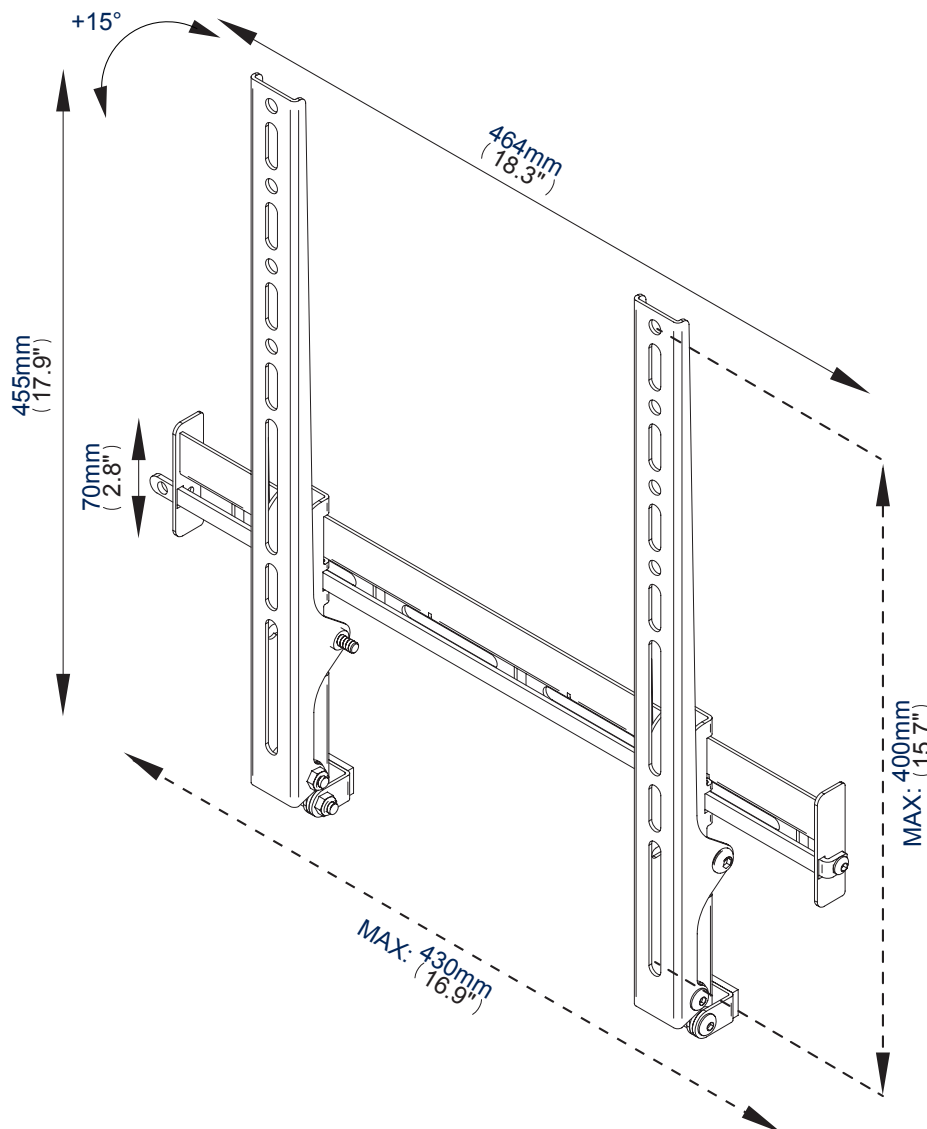
Easy to install in any home

# Large Flat Screen Wall Mount with Tilt and Swivel

For more information please visit [www.btechavmounts.com/BTV511](http://www.btechavmounts.com/BTV511)

**BTV511**

Registered Design Number: 001713280-0023



Colour:	Order Ref:	EAN Code:	Master Carton Qty:	Inner Carton Qty:	Master Carton Weight:	Master Carton Cube:
Black	BTV511/B	5019318440090	6	N/A	14.55kg ( 32.08lbs)	0.034cbm (1.186cuft)

**This information is intended as a guide only and reflects the current specification at the time of print.  
B-Tech accepts no liability for the accuracy of the information contained in this document.**