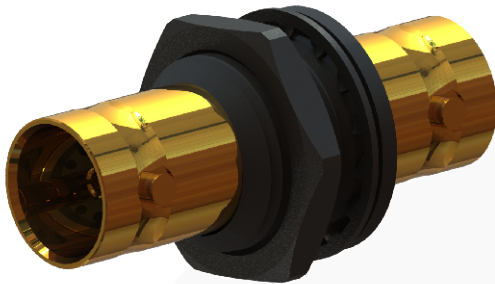
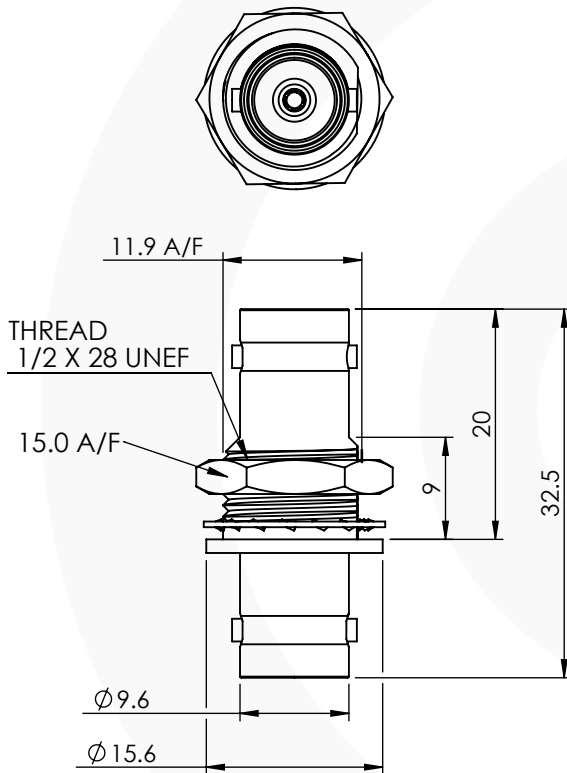


BNC INSULATED BULKHEAD JACK TO JACK ADAPTOR 12 GHz

10-503-W126



images for illustration purposes only



Suitable for Cables:

N/A

Environmental Specification

Operating Temp: -35 to +70 Deg C

IP Rating (Mated): IP 64

Electrical Specification Mechanical Specification

Impedance: 75 Ohm

Frequency: 0 - 18 GHz

Dielectric W/V: 1500 Veff

Insulation res: 5000 M-Ohm

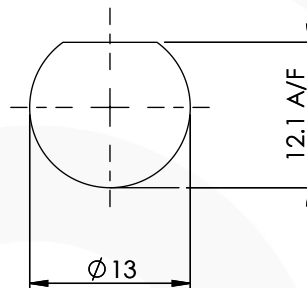
Contact Retention: 10 N min

Cable Retention: N/A

Mating cycles: 500

Weight: 14.75 g

Recommended Mounting Hole



5.0 MAX PANEL THICKNESS

Connector Interface

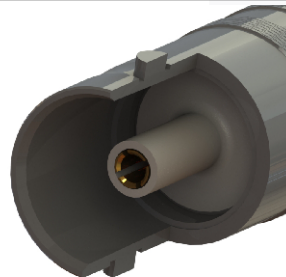
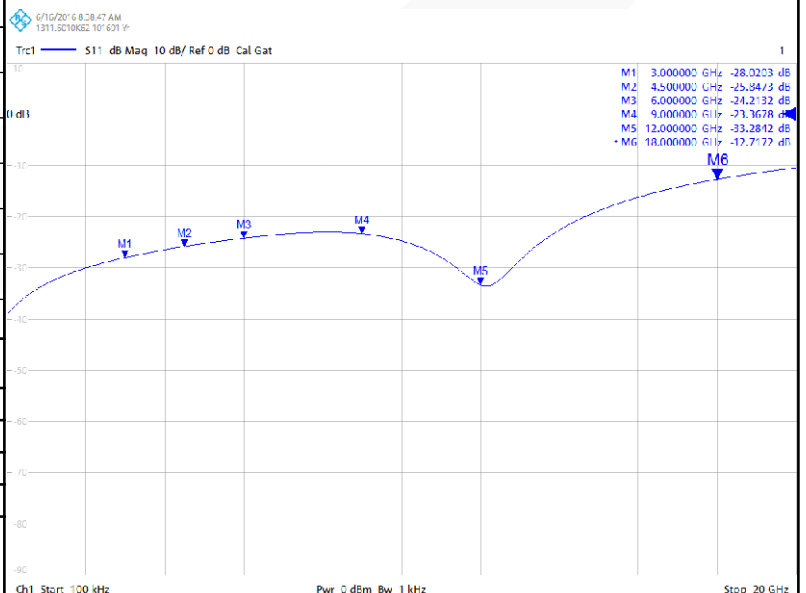


image for illustration purposes only

Performance

- 28.0203 dB @ 3.0 GHz
- 25.8473 dB @ 4.5 GHz
- 24.2132 dB @ 6.0 GHz
- 23.3678 dB @ 9.0 GHz
- 33.2842 dB @ 12.0 GHz
- 12.7172 dB @ 18.0 GHz

Return Loss Graph



6	WASHER	BeCu	BLACK NICKEL
5	NUT	BRASS	BLACK NICKEL
4	INSULATION	ABS	N/A
3	INSULATOR	PTFE	N/A
2	CENTRE CONTACT	BERYLLIUM COPPER	GOLD
1	BODY	BRASS	GOLD
ITEM	DESCRIPTION	MATERIAL	PLATING

A4	SHEET 1 OF 1	DIMENSIONS ARE IN MILLIMETRES		
REVISION :	B00	NAME	SIGNATURE	DATE
ISSUE :	2	DRAWN	S.O'D.	07/03/2016
		CHK'D	I.G.	07/03/2016
		APPV'D		
6-8 COLNE ROAD, TWICKENHAM, MIDDLESEX. TW1 4JR				
THE INFORMATION IS GIVEN AS AN INDICATION ONLY AND IS SUBJECT TO CHANGE WITHOUT NOTICE. IN THE CONTINUAL GOAL TO IMPROVE OUR PRODUCTS, WE RESERVE THE RIGHT TO MAKE ANY MODIFICATIONS NECESSARY WITHOUT PRIOR NOTICE.				