

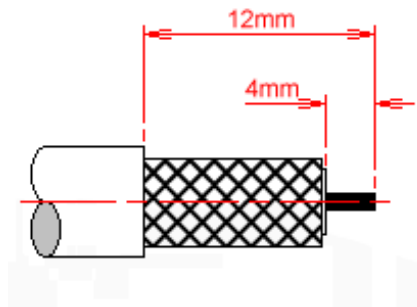
COAX CONNS 10-005-W126-FD BNC 12G UHD Male cable



48-5069 COAX CONNS 10-005-W126-FD BNC 12G UHD Male cable, crimp, 75 ohm, black, group Z

48-5079 COAX CONNS 10-005-W126-FD BNC 12G UHD Male cable, crimp, 75 ohm, black, group Z (pack of 100)

Cable Prep:



Choice of handtool:

55-751 PALADIN 1302 Coaxial crimp tool

The 1302 is an economical tool, with moulded, profiled plastic hand grips. Length 225mm, weight 495g (excluding dies).

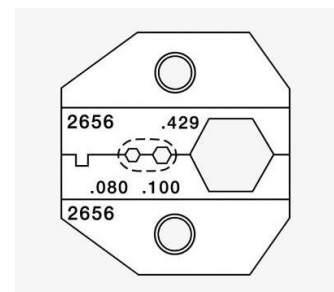
55-752 PALADIN 8000 Coaxial crimp tool

This advanced tool features rubber-embedded handles for greater comfort, a reduced handle grip distance to make it easy to operate for both large and small hands, and an angled head to reduce operator wrist bends during operation. A higher crimp force is produced with less hand force, so the hand does not tire as easily, including the last 'click' required to complete the crimp process. Length 250mm, weight 585g (excluding dies).

Die Set:

55-762 PALADIN 2656 DIE SET for group Z

DIE SET	2656
Hex Cavities	2.03mm, 2.54mm, 10.90mm (0.080", 0.100", 0.429")
Cable Group	Z



Connector crimped using 2.54 & 10.9mm HEX cavities