



- 48-860 CANARE IU-7/16 Isolation bush, black (pack of 20 pairs)
- 48-862 CANARE IU-7/16 Isolation bush, red (pack of 20 pairs)
- 48-864 CANARE IU-7/16 Isolation bush, yellow (pack of 20 pairs)
- 48-865 CANARE IU-7/16 Isolation bush, green (pack of 20 pairs)
- 48-866 CANARE IU-7/16 Isolation bush, blue (pack of 20 pairs)
- 48-869 CANARE IU-7/16 Isolation bush, white (pack of 20 pairs)

Applications

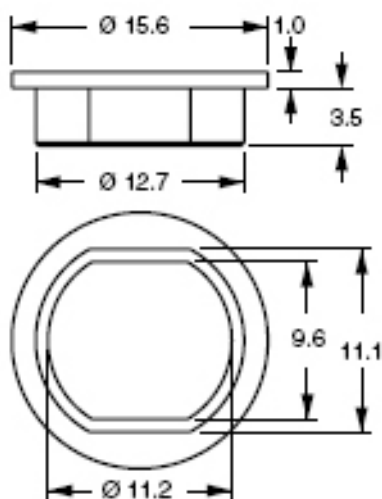
OEM's
For Canare 75 ohm Receptacles

Features

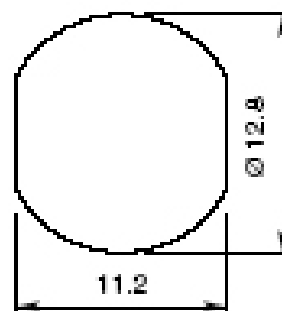
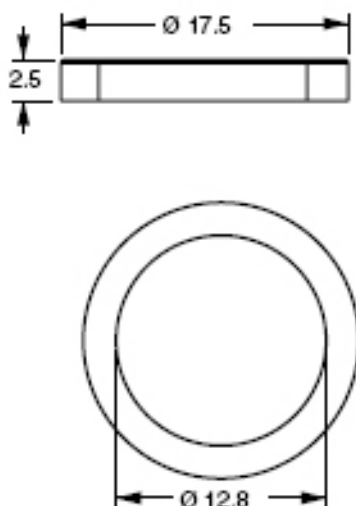
2 Pieces Expandable Construction
5 Colours Available
High Compression, ABS Plastic

Description

Isolation Bushing: 2 pieces Expandable
 Canare Connectors: BCJ-FPLVA, BCJ-FPLHA, BCJ-R/1, BCJ-FPC, BCJ-FPC02, BCJ-JR, BCJ-FPLV01, BCJ-FJR
 Colours: Black, Blue, Green, Red, White, Yellow
 Material: ABS plastic
 Accommodates: 1.2 to 3.0mm thick panels



Dimensions



Panel Mount Hole Dimensions

