



Technical Data Sheet

BAYONET-LOCK OB CONNECTOR 26 PIN WIRING CONVENTION (BBC “DEF 26 CONNECTORS”)

44-851 26-pin cable socket, with bayonet pins

44-854 26-pin panel socket, with bayonet pins

44-853 26-pin cable plug, with ring

44-850 26-pin panel plug, with ring

DESCRIPTION

These bayonet-lock connectors are manufactured to MIL-C 26482 and BS9522 specifications. The connector bodies are aluminium with a hard-wearing, black plated finish. Contacts are gold-plated copper alloy, rated at 5 amps. Connectors lock using a 3-pin bayonet action. They are available in chassis and cable versions with either a locking ring or bayonet pins.

CABLE ASSEMBLY

The 26 pin range has non-replaceable solderbucket connections. Cable connectors may comprise any cable plug or socket plus a special ferrule that is normally used to provide cable support. Assembly is usually completed with specially shaped adhesive-lined heatshrink boots which make a very robust connector assembly. The panel plug consists of a plug connector with a factory fitted, Canford manufactured, 4-hole circular flange. There are also moulded PVC splash-proof covers which provide protection for the connectors in use. These must be fitted onto the cable before the connector is fitted. Max cable diameter is 13mm. The tapered entry to the cover will need to be cut back to allow use with SQM7 (15.7mm o/d) and SQM8 (16.7mm o/d).

MULTIWAY CABLE IDENTIFICATION

BBC convention is to fit a black splashproof cover to the male end of the cable and a grey one to the female end. The male end would have the locking ring and the female the bayonet pins.

PANEL CONNECTOR DIMENSIONS

The 26 pin panel socket (with bayonet pins) has external flange dimensions 31.0mm x 1.6mm, mounting hole diameter 24.1mm, and 4 screw holes 3.05mm diameter at 24.6mm centres.

The 26 pin panel plug (with ring) has a flange diameter of 45mm. A mounting hole diameter of 24.1mm is required. 4 x M3 tapped screw holes are placed on the flange at 24.6mm centres.

TERMINATION SERVICE

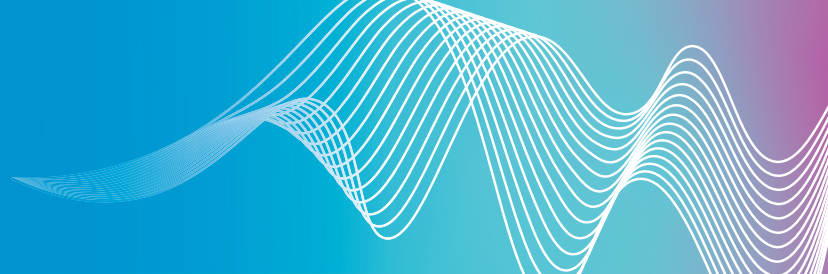
A termination service is available for these connectors onto new or free issue cables – see “Cable Termination” in the index of the Canford Catalogue or call Technical Support. Re-termination can also be undertaken for damaged cables..

MONO CARD

The drive card is factory set to PPM4 at 0dBu. After applying 1kHz tone at 0dBu, adjust RV2 to align the pointer with PPM 4. RV1, Input Gain control, should not need adjustment but the user may wish to alter the reference level for systems which are not at 0dBu. (See fig.1)

ACCESSORIES

44-858 26 pin cable support ferrule
44-859 26 pin adhesive-lined heat shrink sleeve
44-860 26 pin splashproof cover, black
44-862 26 pin splashproof cover, red
44-868 26 pin splashproof cover, grey
31-708 SQM 8 cable



WIRING CONVENTION (Using SQM8 cable for 8-channel multiway cables)

. Pin	Pair	BBC Circuit designation	Core identifying tracers Using SQM8 (31-708) cable
(See note 1)			(See note 2)
A, B (T)	1	1	Core (1) Brown
C, D (U)	2	2	Core (2) Red
E, F (V)	3	3	Core (3) Orange
G, H (W)	4	4	Core (4) Yellow
J, K (X)	5	5	Core (5) Green
L, M (Y)	6	6	Core (6) Blue
N, P (Z)	7	7	Core (7) Violet
R, S (a)	8	8	Core (8) Grey

Note (1) Pin out information: First letter = positive phase, (+);
 Second letter = negative phase, (-)
 Third letter denotes screen

Note (2) Quad core colours are: Blue/Red = positive phase,
 Green/White = negative phase

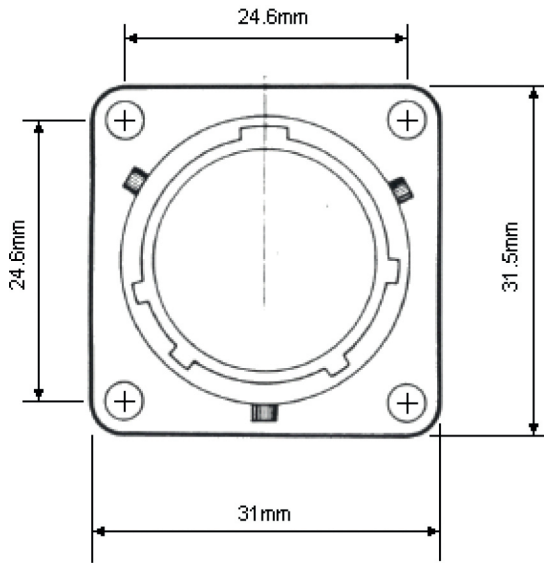
Common BBC applications:

Pattress	=	Fixed socket
Headphone mixer	=	Fixed Plug
OB Cable	=	Free socket (with grey gaiter) to free plug (with black gaiter).
OB Far end box	=	Fixed plug + 8 XLR female connectors
OB Mid box	=	Fixed plug - Fixed socket + 8 XLR male + 8 XLR female connectors
OB Near end box	=	Fixed socket + 8 XLR male connectors

WIRING CONVENTION (Using SQM7 cable for 7-channel multiway cables)

. Pin	Pair	BBC Circuit designation	Core identifying tracers Using SQM7 cable BBC PIF 28/1
(See note 1 above)			(See note 2 above)
A, B (T)	1	1	Core (1) Blue
C, D (U)	2	2	Core (2) Orange
E, F (V)	3	3	Core (3) Green
G, H (W)	4	4	Core (4) Brown
J, K (X)	5	5	Core (5) Grey
L, M (Y)	6	6	Core (6) White
N, P (Z)	7	7	Core (7) Unmarked

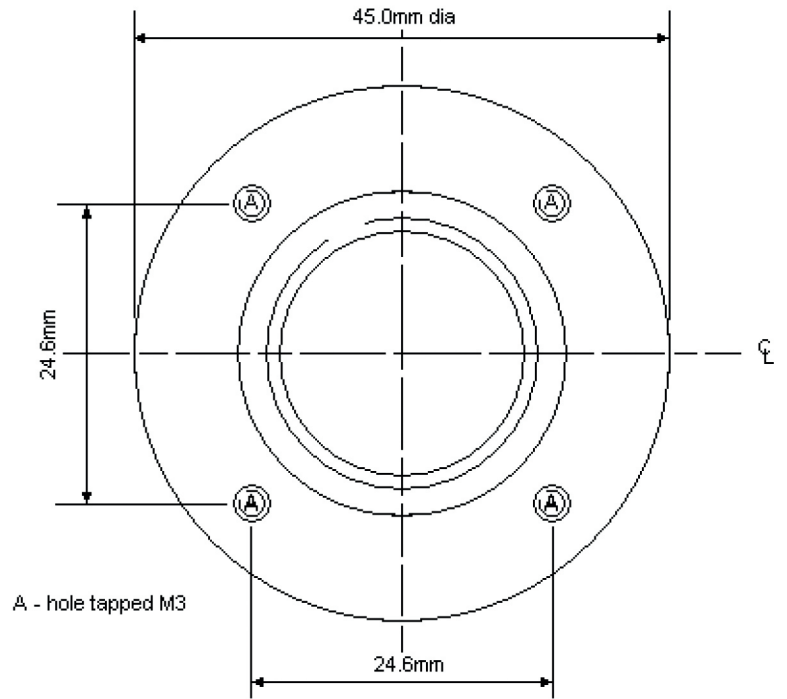
MOUNTING DETAILS



4 x mounting holes 3.05mm dia.

24.1mm panel hole required

44-854 26-pin panel socket, with bayonet pins



A - hole tapped M3

24.1mm panel hole required

44-850 26-pin panel plug, with ring Adapter plate

