



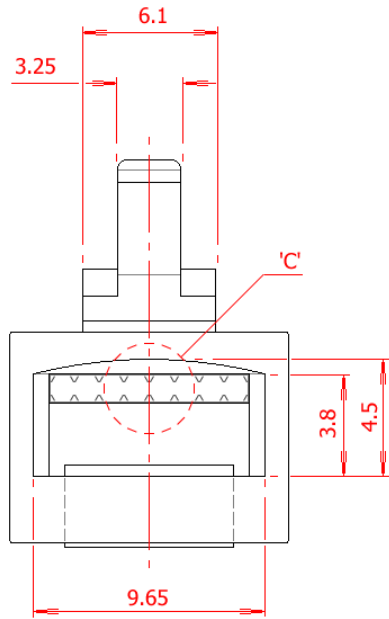
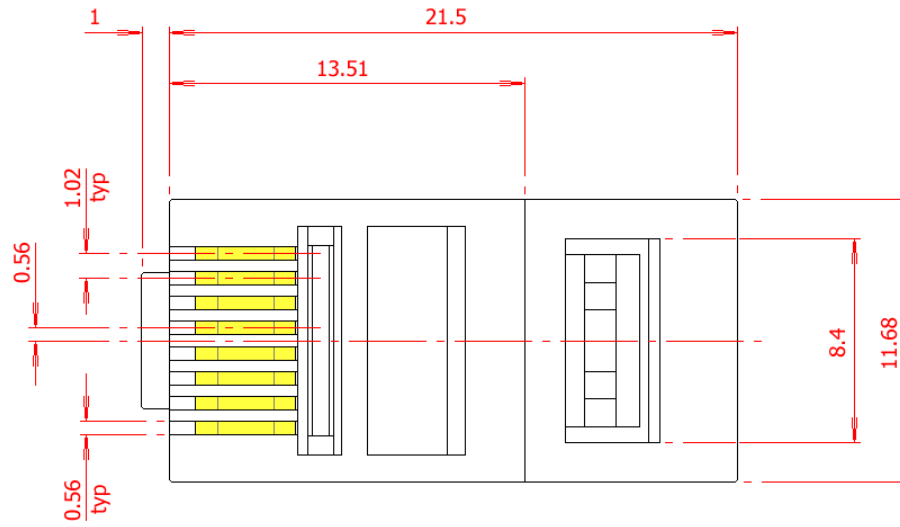
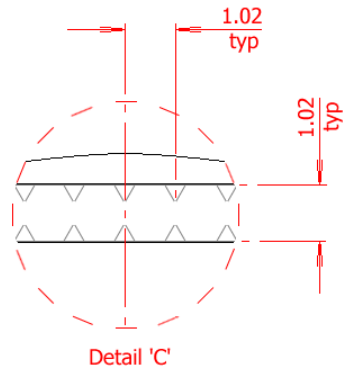
46-605 RJ45 PLUG 8P8CR
46-606 RJ45 PLUG 8P8CS

8 pole 8 contact plugs primarily for data cabling applications up to 1000Mbps, (Cat5e).

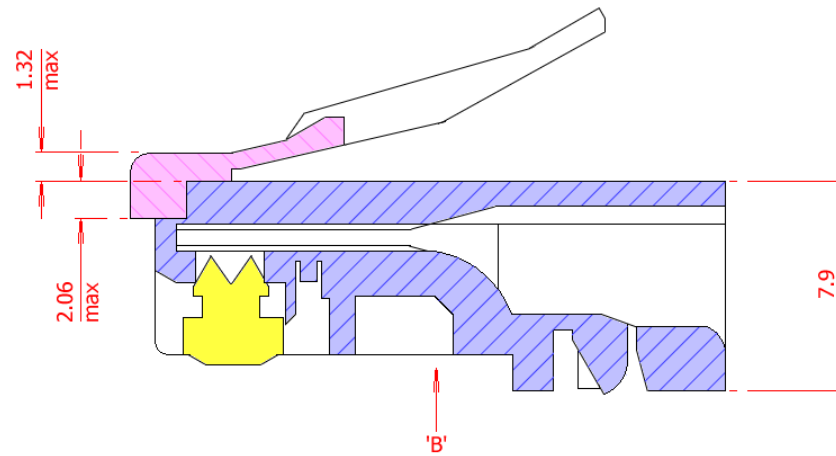
Specifications

Poles/Contacts	8 / 8		
Contact Material	Phosphor Bronze with 50µ" (1.27µm) gold plating over 100µ" (2.54µm) nickel plate		
Housing material	Polycarbonate, UL94V		
Cable Type	Round or Flat cable accomodated		
Shielded	46-605 RJ45-8P8CR	No	
	46-606 RJ45-8P8CS	Yes	(Copper)
Dimensional:	Max cable O.D.	6.0mm	
	Conductor Size	Stranded	0.13 - 0.20mm ²
		Solid Wire O.D.	0.40 - 0.51mm
		Insulation O.D.	0.95 - 1.0mm
See also drawings on page 2			
Mechanical:	Tensile Strength	Cable to plug	20lbs min
	Durability	200 mating cycles min	
Electrical:	UL Applications	250VAC max @2A	
	Dielectric	withstanding Voltage	500VAC
	Insulation Resistance	500MΩ	
	Termination Resistance	35mΩ	

46-605 RJ45 PLUG 8P8CR & 46-606 RJ45 PLUG 8P8CS

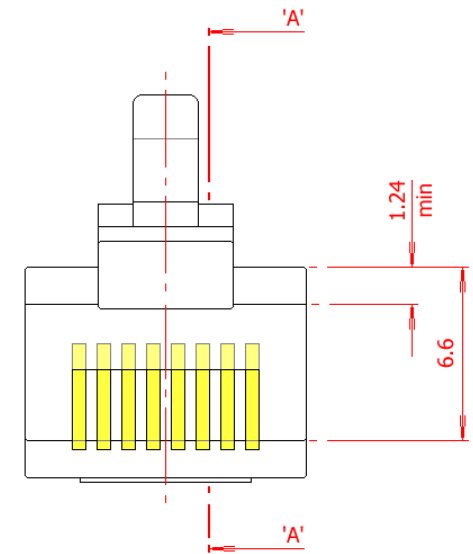


BACK ELEVATION
Showing Cable Entry



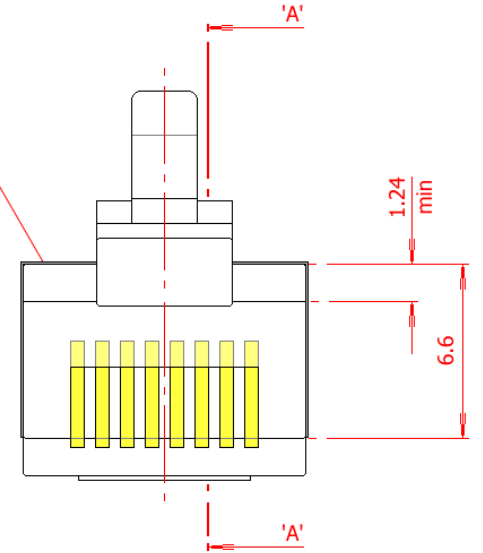
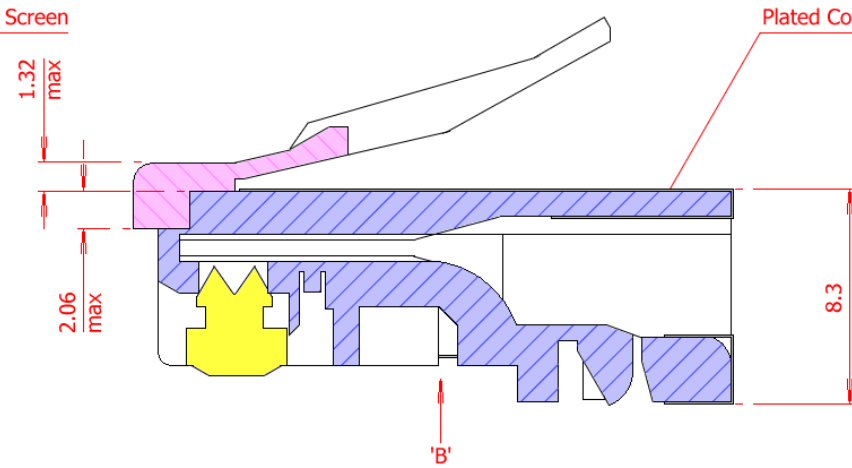
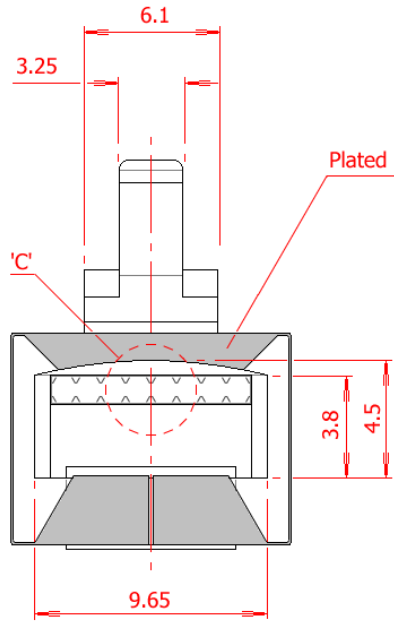
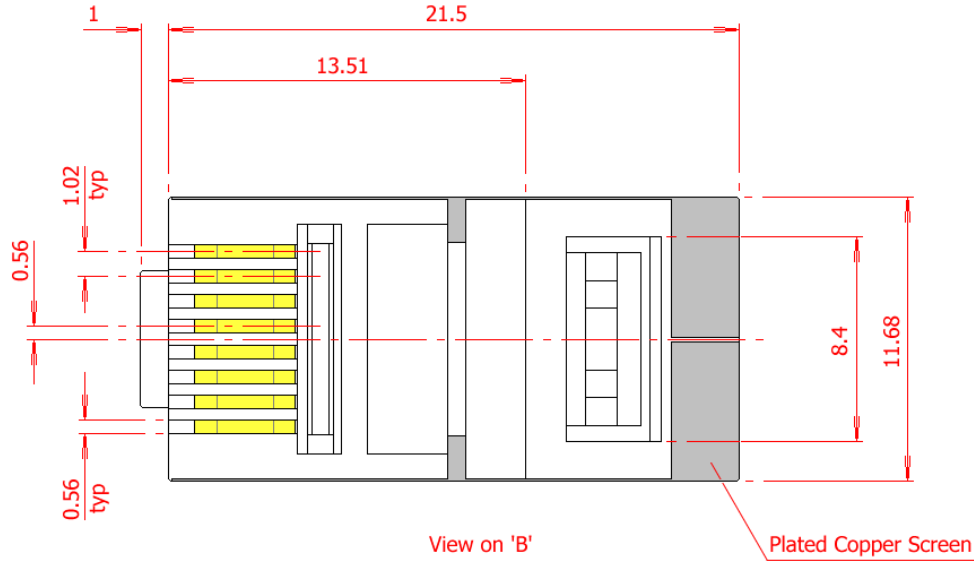
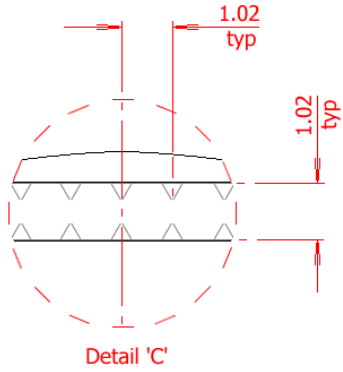
NTS
All dims in mm

SECTION 'A' - 'A'
46-605 RJ45 PLUG 8P8CR



FRONT ELEVATION
Showing Contacts

46-605 RJ45 PLUG 8P8CR & 46-606 RJ45 PLUG 8P8CS



NTS
All dims in mm

SECTION 'A' - 'A'
46-606 RJ45 PLUG 8P8CS