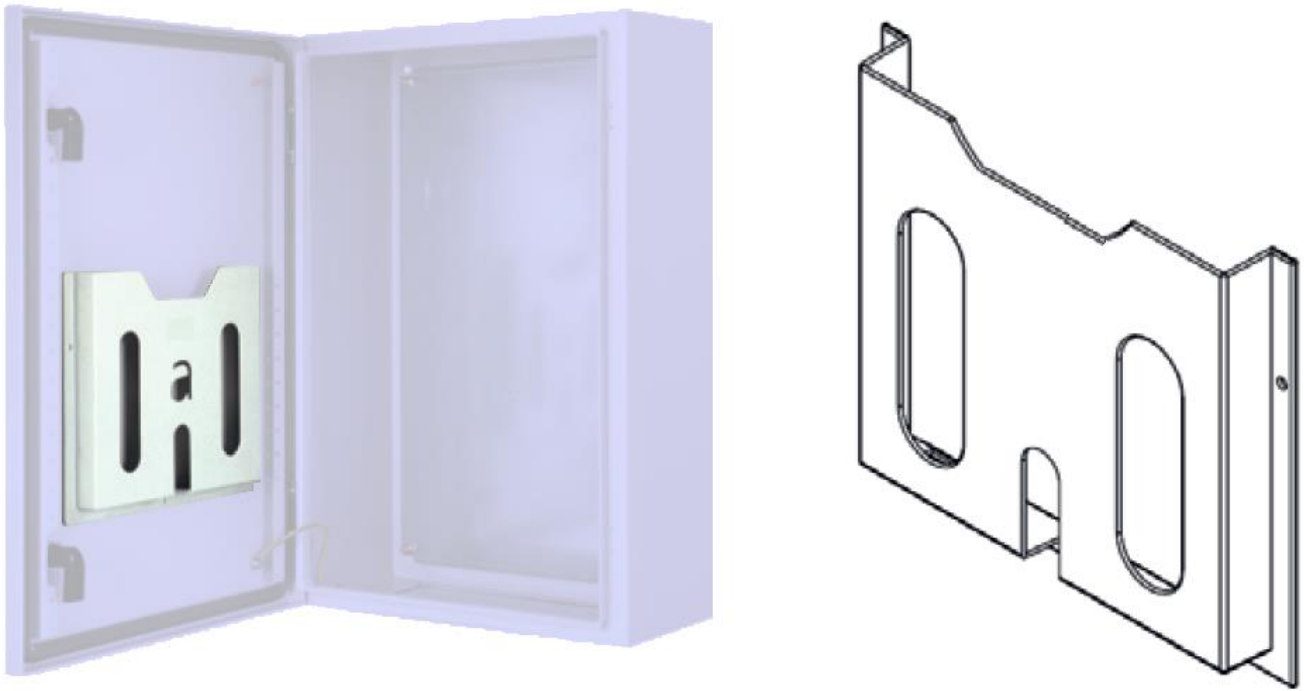


## Canford Rack Document Holders



15-3241 CANFORD RACKS DOCUMENT HOLDER, A5  
15-3242 CANFORD RACKS DOCUMENT HOLDER, A4

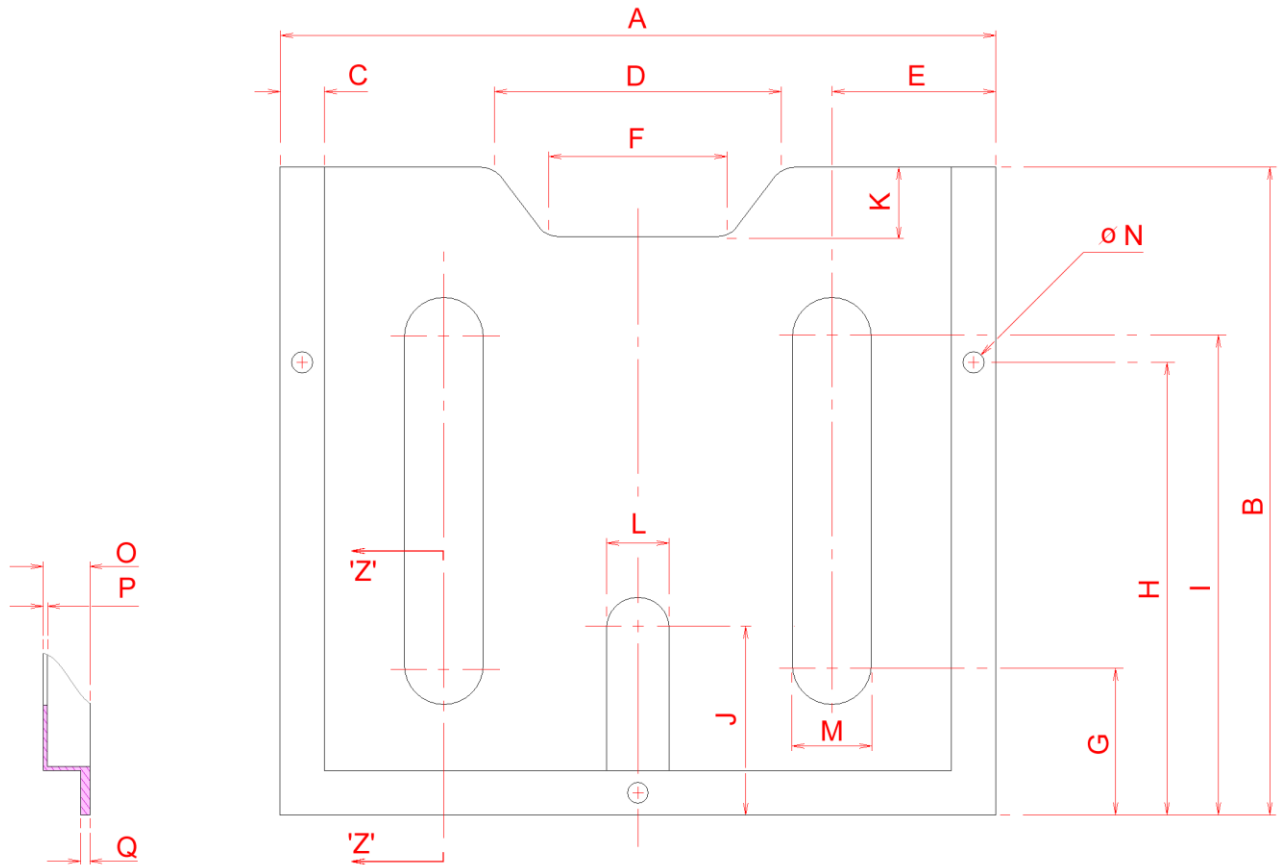
Useful for storing important diagrams or instructions within a cabinet. The plastic holders are available in two sizes to suit either A4 or A5 size documentation.

The A5 model is generally used with cabinets 300mm wide and above.  
The A4 model is generally used with cabinets 400mm wide and above.

The self-adhesive rear allows quick installation on the inside of a cabinet door with mounting holes provided should the fixing need to be more secure for heavier documents.

Dimensional drawing on the next page of this document.

## Canford Rack Document Holders



Part Section 'Z - Z'

Dim	15-3241 (A5)	15-3242 (A4)	Comments
A	205	265	
B	200	235	
C	13	14	Typical Flange Width
D	90	115	
E	46	61	
F	55	70	
G	45	48	
H	140	165	
I	145	152	
J	55	70	
K	22	30	
L	19	24	'Finger' Slot Width
M	22	29	Slot Width
N	6	6	Typical Mounting Hole Diameter
O	20	28	Overall 'Pocket' Depth
P	2	2	Typical 'Pocket' Wall Thickness
Q	3	4	Typical Flange Thickness

Not To Scale, all dimensions approx.

All dimensions in mm