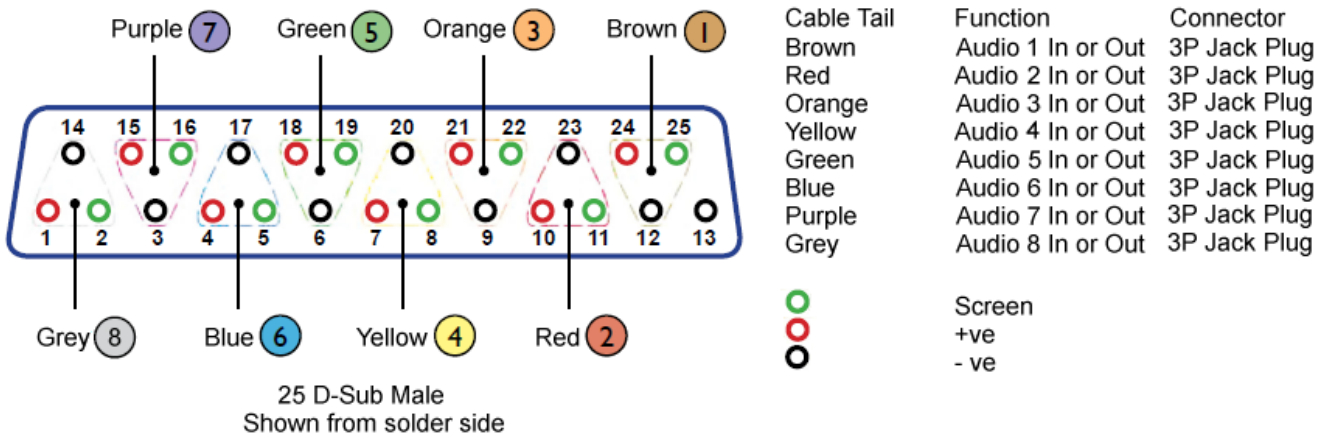


38-8114 CANFORD D-SUB BREAKOUT CABLE 25 pin male to 8x 1/4 inch, 3 pole, A gauge jack, 3m



Suitable for Analogue audio input or output, (depending on if the D-sub is attached to an analogue input our output on the host device), this cable assembly is wired to the Tascam DTRS convention. Belden 7880A low-capacitance, individually screened, 110 Ohm eight-pair cable used. The D-sub 25-pin male connector has a metal-body and sensibly-sized thumb-screws.

Wiring Convention:



Approx. Dimensions:

