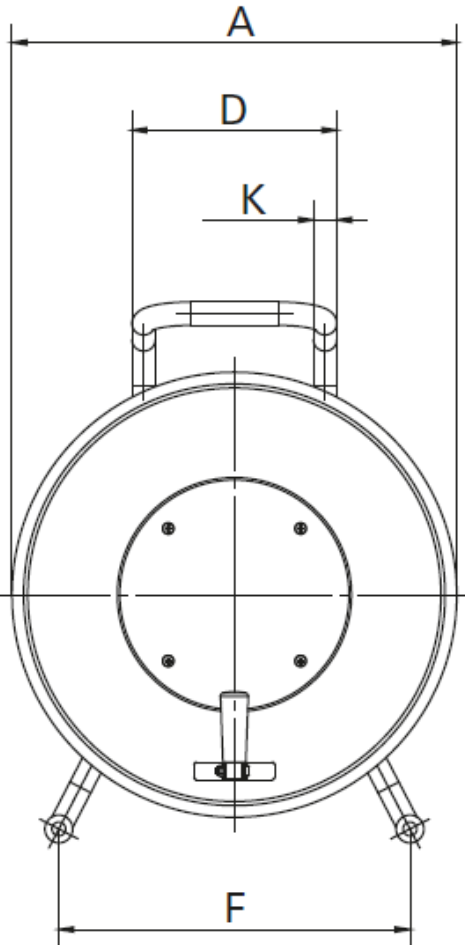
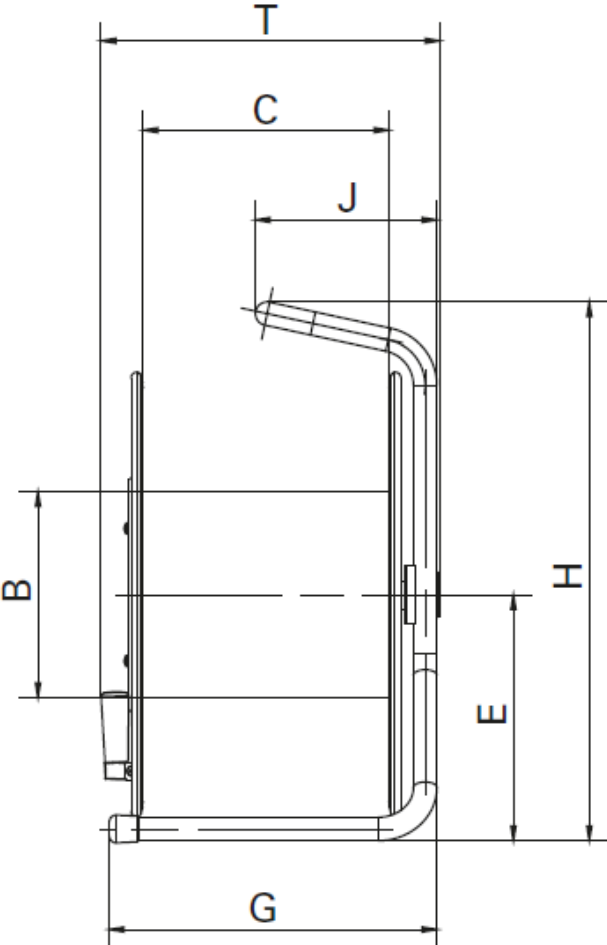


35-5016 CANFORD CABLE DRUM CD385



Measurements

| | mm | Inch |
|---|-----|-------|
| A | 380 | 14.96 |
| B | 176 | 6.93 |
| C | 210 | 8.27 |
| D | 175 | 6.89 |
| E | 210 | 8.27 |
| F | 300 | 11.81 |
| G | 280 | 11.02 |
| H | 460 | 18.11 |
| J | 155 | 6.10 |
| K | 20 | 0.79 |
| T | 292 | 11.50 |



Weight

| Kg | lb |
|------|-------|
| 5.70 | 12.57 |