

Fitting instructions:

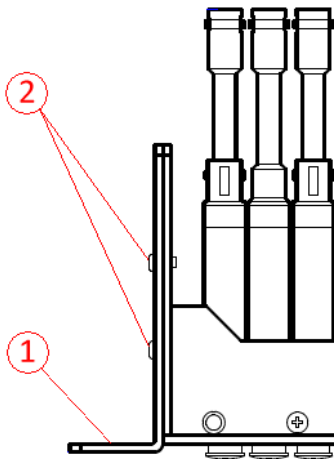


Fig 1: Remove rack ears Item 1, by loosening screws item 2.

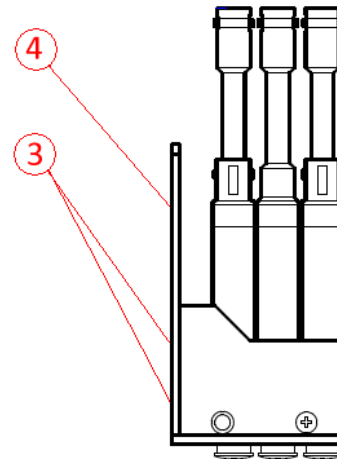


Fig 2: Then remove side panels item 4, by loosening countersunk screws item 3.

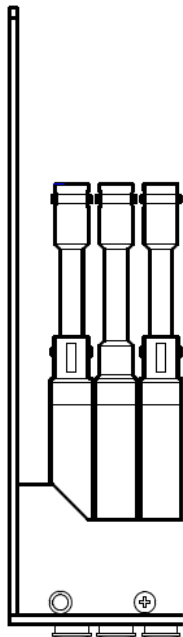


Fig 3: Fit new Canford lacing bar side plates reusing countersunk screws item 3

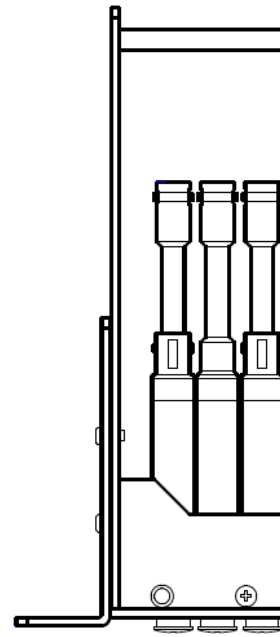


Fig 4: Replace rack ears Item 1, using existing screws, Item 2. Attach lacing bars using screws supplied to one of the three holes provided on the end of the Canford plate.