



# TECHNICAL DATA SHEET

## DIMMABLE SCRIPT LIGHTS

**51-956** SCRIPT LIGHT 600MM, 50HZ, DIMMABLE

**51-958** SCRIPT LIGHT 1200MM, 50HZ, DIMMABLE

### INSTALLATION INSTRUCTIONS

Only appropriately qualified staff should carry out this installation.

#### **N.B. TURN THE ELECTRICITY SUPPLY OFF AT THE MAINS BEFORE INSTALLING OR MAINTAINING THIS LUMINAIRE!**

Following unpacking and inspection for damage in transit, the lamp should be removed by easing back one holder until the pins become visible - and then lifting it out of the lamp-holder fittings. External wiring should be connected through the rubber grommet to the terminal block.

#### **WARNING - THIS EQUIPMENT MUST BE EARTHED!**

Connect **Live** wire to the terminal marked '**L**'  
 Connect **Neutral** wire to the terminal marked '**N**'  
 Connect **Earth** wire to the terminal marked '**E**'

(**Note:** Ensure all un-insulated protective earth wires are sleeved with green/yellow insulating sleeve).

This unit is designed to be used with the control unit (stock code 51-959, not included). To wire the controller to the script light follow Fig 1. The control unit has an ivory finish. For the control of more than one lamp and further wiring information - please read installation instructions supplied with the OSRAM control unit itself. In addition, a 46mm minimum depth single gang steel flush mount back-box will be required (49-578).

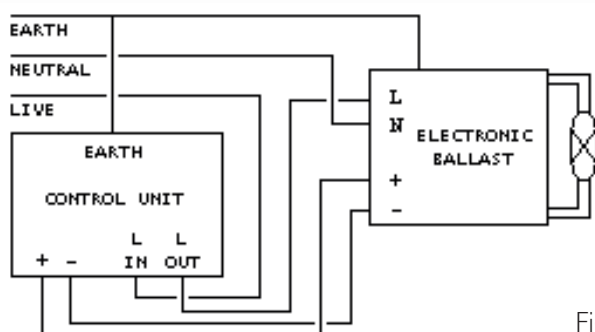


Fig 1.

**51-957** SCRIPT LIGHT 900MM, 50HZ, DIMMABLE

### CONTROL UNIT TERMINALS

There are 4 screw terminals. (2 for the DC and also 2 for the LIVE IN and switched LIVE OUT. Refer to the control unit instructions and Fig 1). All take one 2.5mm<sup>2</sup> solid or stranded cable, or two 1.5mm<sup>2</sup> solid or stranded mains rated cables.

### CONDITIONS OF USE

For normal indoor use only.

#### **N.B. SOME LUMINAIRES HAVE MORE THAN 1 BALLAST.**

As the control circuit is not segregated in the ballast from the mains, the DC cable has to be insulated as for the mains cable. As the current involved will be less than 1A, however, the conductor cross sectional area can be small, e.g. 0.5mm<sup>2</sup> – but must be a mains rated cable.

To avoid mains pick up, the DC and mains cables should be segregated – e.g. by using separate conduits, (unless the length of run is less than 5m).

Ensure that the control unit is correctly fitted into an earthed steel back box. (49-578).

**WARNING – Care should be taken when connecting the mains, ensuring the mains connection is only made to the correct terminals. Observe polarity of DC connections. Ensure that the steel back-box and electronic ballast circuit is earthed as per Fig 1. The mains switch may be a separate item, chosen to match existing decor – in this case the LIVE IN and switched LIVE OUT terminals of the control unit should be ignored.**

**In the UK the completed installation must comply with “The Regulations For Electrical Installations”, current edition, as published by the Institution of Electrical Engineers – IEE.**



# TECHNICAL DATA SHEET

## MAINTENANCE

1. Ensure a copy of these instructions is presented to the responsible authority for maintenance.
2. Replace lamps only with suitable types as described below.

## SUITABLE REPLACEMENT LAMPS ARE:

- 51-854 Script Light Spare Lamp 600mm 20 Watt.
- 51-855 Script Light Spare Lamp 900mm 30 Watt.
- 51-857 Script Light Spare Lamp 1200mm 40 Watt.

**N.B. Use only the stated replacement lamps.**

## TECHNICAL SPECIFICATION

Fixed class Luminaire, for wall mounted, internal use.

<b>Conforming Standards:</b>	BS4533 Luminaries.
<b>BS EN 60065</b>	Specification of safety requirements for mains operated electronic and related equipment approved for household and similar general use.
<b>BS EN 60598-1</b>	Luminaries, general requirements and testing.
<b>EC Compliance:</b>	EMC Directive 89/336/EEC
<b>Low Voltage Directives:</b>	73/23/EEC 93/68/EEC
<b>Rated Voltage:</b>	220/240V 50Hz – 51-956, 957 and 958
<b>Rated Wattage:</b>	20Watts – 51-956 30Watts – 51-957 40Watts – 51-958
<b>Dimensions:</b>	(with knobs fitted) 600mm type – 725 X 100 X 90mm (L x W x H) 900mm type – 1025 X 100 X 90mm (L x W x H) 1200mm type – 1325 X 100 X 90mm (L x W x H)

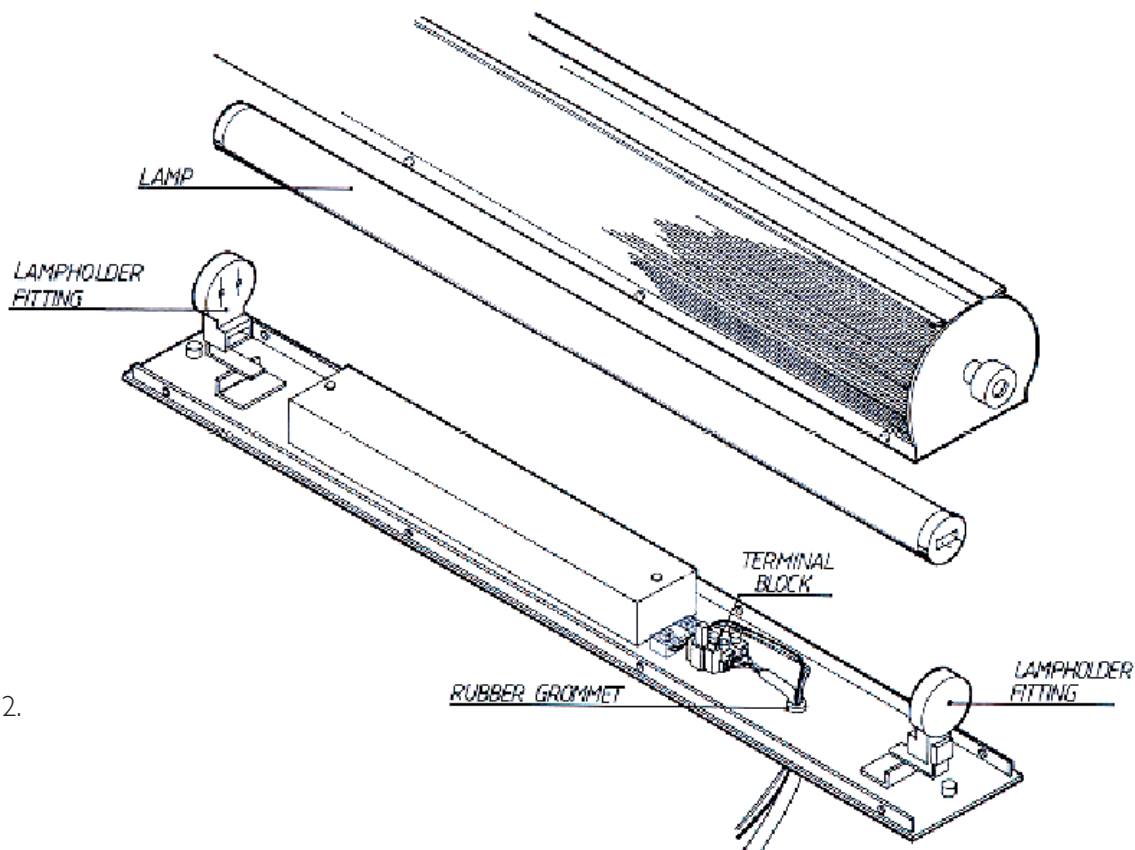


Fig 2.