



# TECHNICAL DATA SHEET

## CANFORD STUDIO ILLUMINATED SIGNS

**51-401** ILLUMINATED SIGN BC BASE FITTING, TYPE A, 230 VOLT

**51-402** ILLUMINATED SIGN ES BASE FITTING, TYPE A, 230 VOLT

**51-405** ILLUMINATED SIGN ES BASE FITTING, TYPE A, 115 VOLT

This range of attractive signs has been designed by Canford for any application where a visually attractive annunciator is required in such applications as broadcast studios, conference suites, medical centres and other architectural uses. The units have the advantage that the illuminated state is clear to see through 180 degrees of viewing angle. They are intended to be wall mounted with fixed external wiring, and must be used with a suitable cover. A range of translucent covers is available. Eg 51-420 Illuminated Sign Red cover, Unprinted. The two available types of base fitting are identical other than the types of integral lampholder fitted to each model.

### INSTALLATION INSTRUCTIONS

The installation should be carried out by appropriately qualified staff.

TURN ELECTRICITY SUPPLY OFF AT MAINS BEFORE INSTALLING OR MAINTAINING THIS LUMINAIRE.

PLEASE REFER TO THE EXPLODED DRAWING.

Following unpacking and inspection for damage in transit, the base unit should be dis-assembled, firstly by unscrewing the four posi-drive screws holding the lamp-holder assembly, (A), to the base, (B).

The attached wiring loom is then disconnected from the base by unplugging the free part, (C), of the mains terminal block. The assembly is then laid aside taking care to avoid mis-placing the screws.

The plastic tray should be firmly fixed in place, taking care to avoid obstruction of cooling vents, (D), using appropriate fasteners. Fixing holes are provided to match UK (BS 4662), European (DIN) and American flush electrical boxes, as well as UK conduit boxes.

External wiring should be connected, through the entry hole, (E), to the terminal block.

**WARNING** - THIS EQUIPMENT MUST BE EARTHED.

Connect **Live** wire to the terminal marked '**L**'

Connect **Neutral** wire to the terminal marked '**N**'

Connect **Earth** wire to the terminal marked 

The unit must be fed from a suitably protected supply with a capacity not exceeding 5 amps. (Note: Un-insulated protective earth wires should be sleeved with green/yellow insulating sleeve).

The lamp-holder assembly may now be re-connected and fixed in place on the tray. Two suitable bulbs should be fitted, and the chosen cover "hooked" onto the base. The unit should now be ready for use.

In the UK the completed installation must comply with "Regulations for electrical installations", current edition, as published by the Institution of Electrical Engineers.

### MAINTENANCE

- (1) Ensure a copy of these instructions are presented to the responsible authority for maintenance.
- (2) Replace lamps only with suitable types as described above.
- (3) Clean diffuser/cover regularly with lukewarm soapy water and dry thoroughly before re-fitting.

SUITABLE REPLACEMENT LAMPS ARE:

51-025 ILLUMINATED SIGN Lamp, 25 watt BC 230 volts (B22 BAYONET)

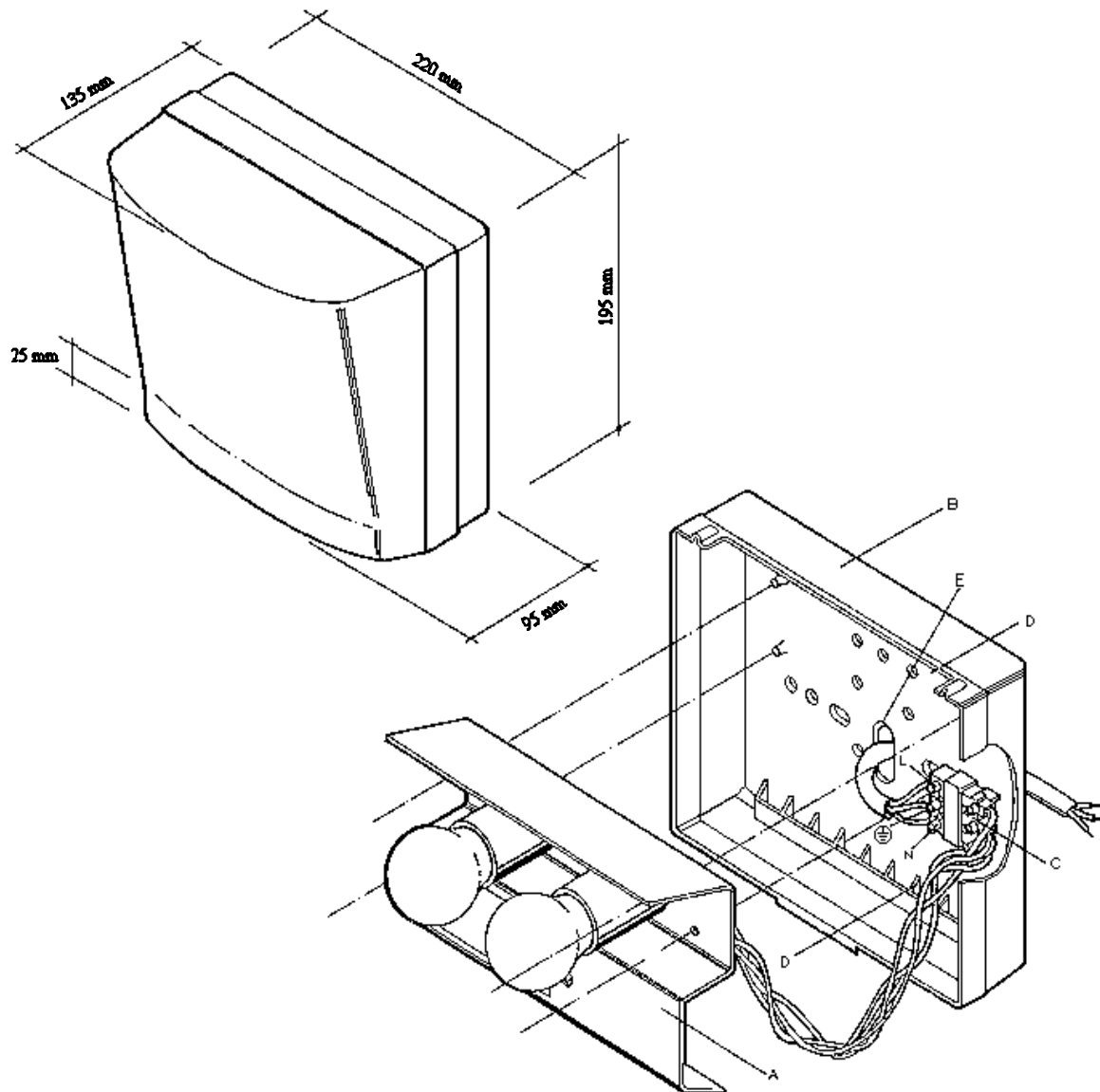
51-026 ILLUMINATED SIGN Lamp, 25 watt ES 230 volts (E27 SCREW)

51-027 ILLUMINATED SIGN Lamp, 25 watt, ES 115 volts (E27 SCREW)

**It is important that the fitting is only used with the intended lamp. These are 45mm nominal diameter opal (or frosted) types, maximum 25 watts. Other types may cause overheating and are potentially a fire hazard.**



# TECHNICAL DATA SHEET



## TECHNICAL SPECIFICATION

**Equipment Type** - Fixed class Luminaire, for wall mounted, internal use.

**Rated Duty:** Continuous

**Rated Voltage:** 51-401 230 Volts  
51-402 230 Volts  
51-405 115 Volts

**Rated Wattage:** 2 x 25W

**Rated Frequency:** 50-60Hz

**Rated maximum ambient temperature:** 40°C

**Dimensions (with cover fitted):** See drawing

**Weight, packed:** 1 Kg approximately

## MATERIALS

**Base:** Polycarbonate moulding

**Lamp-holder assembly:** Epoxy powder coated mild steel