



The electronic potentiometer controls up to 10 dimmable script lights, (50 when used in conjunction with a contactor), and enables manual brightness control.

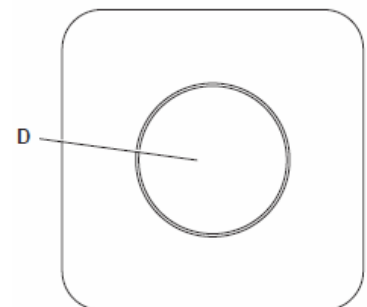
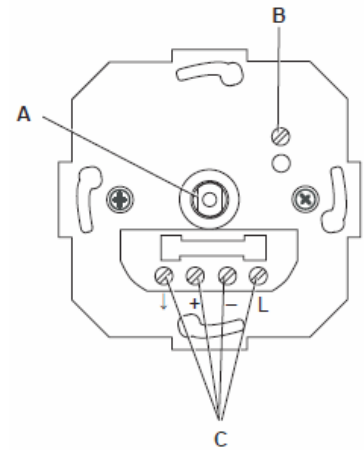
The potentiometer is mounted in a flush device box 42-363 MK 877ZIC Flush box, 1 gang, 46mm

The potentiometer converts rotations of and pressure on the rotary knob into 1...10V voltage signals, which are transmitted to the dimmable electronic control gears.

The potentiometer is made up of the following components:

- A** Rotary potentiometer
- B** Trimmer
- C** Connections

Control lines	+, -
Dimmed + switched phase	↓
Phase	L
- D** Housing with rotary knob



Installation

The potentiometer must only be installed and put into operation by a qualified electrician. The applicable safety regulations and accident prevention regulations must be observed.



WARNING!

Exposed, live cables.
 Danger of electric shock!
 Only work on the potentiometer when it is de energised.

CAUTION!

Destruction of the potentiometer and other devices through incorrect mounting!

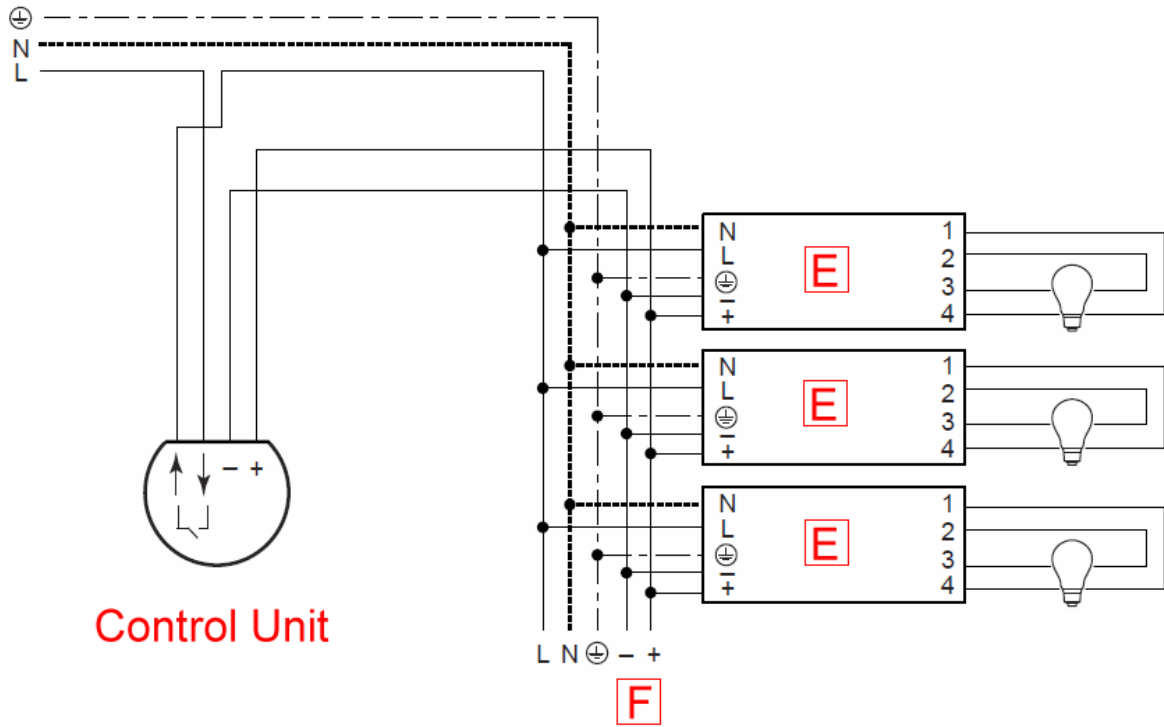
The potentiometer is designed for mounting in flush device box
 42-363 MK 877ZIC Flush box, 1 gang, 46mm

If mounted elsewhere, provide adequate cable strain relief and insulation.

Do not wire the control line with an external voltage, especially not a mains voltage of 230 V.

Do not exceed the maximum number of ECGs.

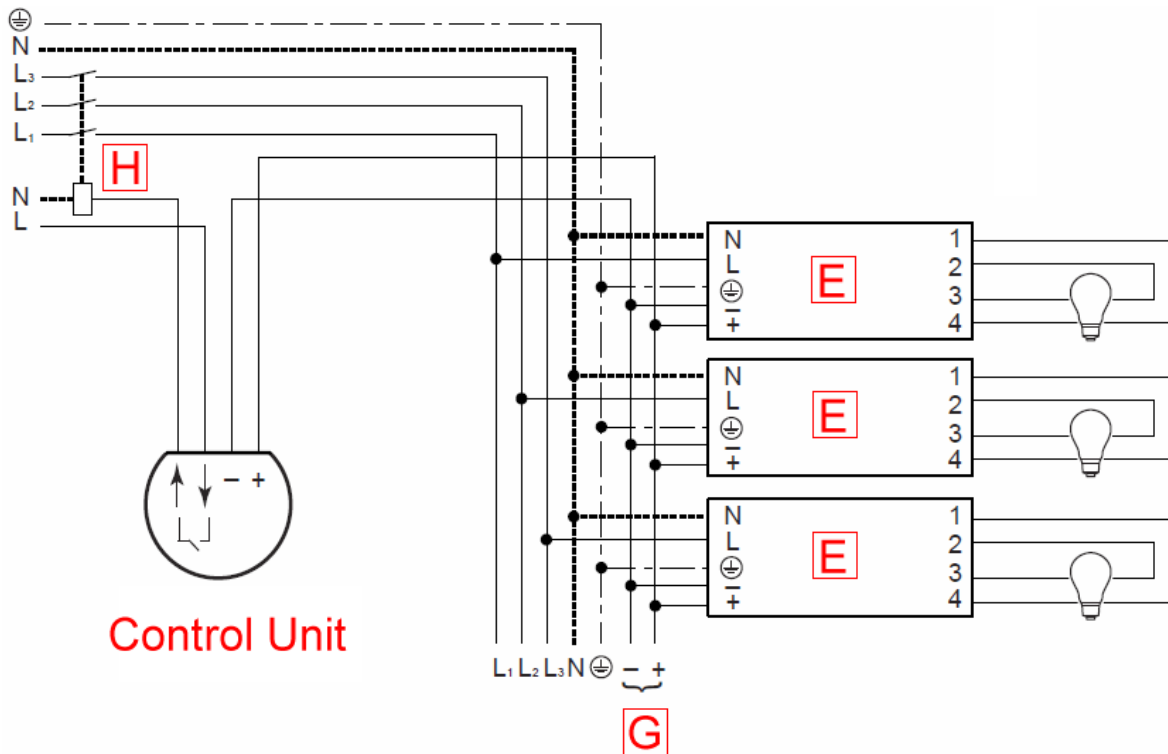
Connection diagram for up to Dimmable 10 script lights



Control Unit

- E Dimmable ECG
- F Connect max. 10 Script Lights

Connection diagram for up to 50 dimmable script lights



Control Unit

- G Connect max. 50 dimmable ECGs
- H Relay or contactor

51-959 CANFORD SCRIPT LIGHT Fluorescent, Control unit for dimmable versions

Operating voltage	230 V AC, 50-60 Hz
Switching output load capacity	Max. 6 A resistive load 10 script light ECGs
Control output load capacity	Max. 40 mA max. 50 1...10V ECGs
Permissible line cross section	Max. 1.5 mm ²
Permissible ambient temperature	0 °C ... 50 °C
Protection type	IP 20
Protection class	II
Mounting plate (L x W):	71 x 71 mm
Dimensions :	

