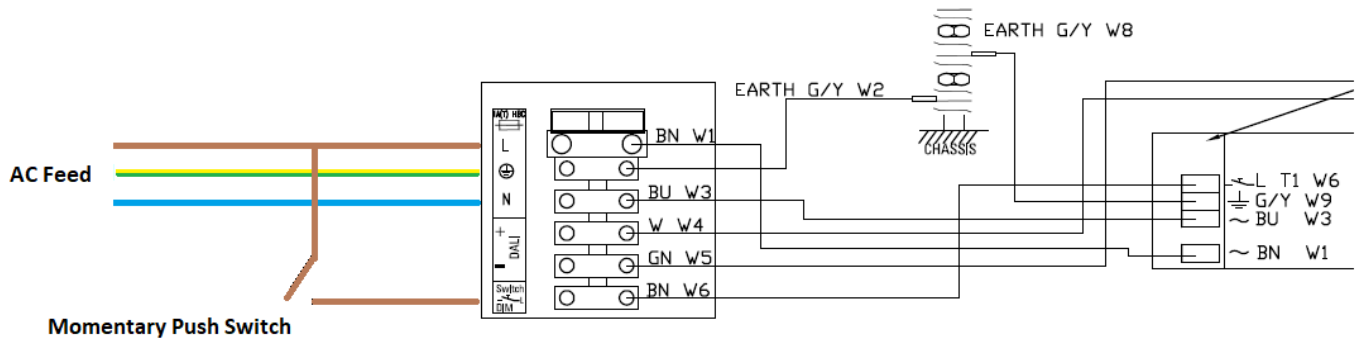


Canford LED Scriplight Switch-Dim Function

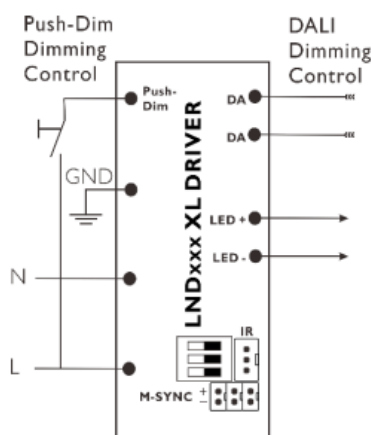


LND127 AL Smart E-Dim DALI DRIVER

SPEC SHEET

Dimming Control Wiring Diagrams

➤ Push-dim 0-100% dimming control



By pressing the push button for less than one second the LEDs turn on or off.
By pressing the push button for more than one second the light intensity of the LEDs is dimmed according to the following modalities:

- ❖ If the light intensity is not at maximum, by pressing the key there will be an increase of this to maximum or to the corresponding level at the moment the key is released;
- ❖ A further pressure on the key inverts the dimming direction to the minimum value or to the corresponding level at the moment the key is released;
- ❖ If light intensity is at maximum by pressing the key there will be a decrease to the minimum value or to the corresponding level at the moment the key is released.

Total length of PUSH cables <20m. Factory dimming setting at 100%.



Note: Only use self-reset push button without indicator light.
Risk of short circuit. The self-reset button can only be linked between the Push-dim and the L(AC).

Do Not connect the self-reset button to the N(AC)