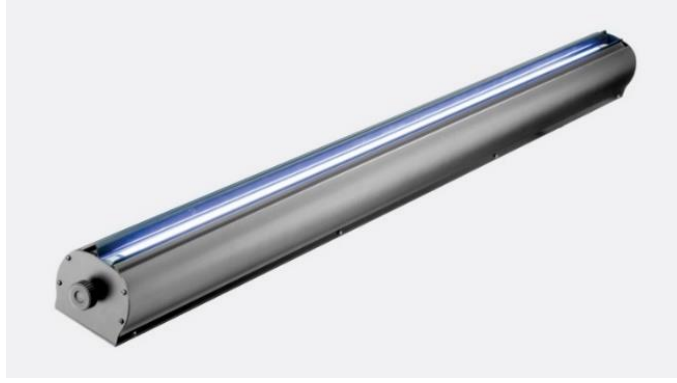


## Multiple Canford LED Script Light Dali and dimSwitch Syncing



To sync multiple units if one or more do not operate as expected under Dali or dimSwitch control

51-971 CANFORD SCRIPT LIGHT, LED, 600mm, black, 50Hz, dimmable (DALI and switchDIM control)  
51-972 CANFORD SCRIPT LIGHT, LED, 900mm, black, 50Hz, dimmable (DALI and switchDIM control)  
51-973 CANFORD SCRIPT LIGHT, LED, 1200mm, black, 50Hz, dimmable (DALI and switchDIM control)  
51-974 CANFORD SCRIPT LIGHT, LED, 600mm, white, 50Hz, dimmable (DALI and switchDIM control)  
51-975 CANFORD SCRIPT LIGHT, LED, 900mm, white, 50Hz, dimmable (DALI and switchDIM control)  
51-976 CANFORD SCRIPT LIGHT, LED, 1200mm, white, 50Hz, dimmable (DALI and switchDIM control)

**NOTE:** Installation and maintenance of Canford Script Lights should be carried out by appropriately qualified staff. In the UK the completed installation must comply with “Regulations for electrical installations”, current edition, as published by the Institution of Electrical Engineers.  
TURN ELECTRICITY SUPPLY OFF AT MAINS BEFORE INSTALLING OR MAINTAINING THIS LUMINAIRE.

### dimSwitch Reset:

A suitable dimSwitch controller should operate as follows:

On power up the LED Script Light lamp should be fully illuminated.

A brief push (<0.6s) on the controller switch will switch the driver ON and OFF.

At switch ON the ballast in the Script Light will return LED lamp to full brightness.

When switch is pushed continually the driver will either dim or brighten the LED lamp accordingly and cycle through dim/brighten process until the controller switch is released.

Multiple Script Lights can be controlled simultaneously and synchronised to 50% brightness by a single 10 second push of the switch. Note that push switches with indicator lamps cannot be used.

Under dimSwitch control if the Script Light LED lamp of one or more units do not operate as expected then simply powering off, and then on again should reset all units to full brightness as dimSwitch control does not remember the last dim state when powered off. If one or more Script Lights still do not operate as expected, then the reset procedure on the next page may assist resetting the errant ballasts accordingly.

### Dali reset:

To fully synchronise Script Lights units under Dali control where one or more units do not operate as expected, then please consult your Dali control unit given that individual ballasts can be addressed. As Dali remembers the last dim state at power off, if an individual ballast or ballasts have been addressed in a previous session and set to a different dim state than other units in the system, this may be cause of the problem and using the Dali controller this should be re-adjusted accordingly.

If the Script Lights still do not behave as expected, then the ballasts in each LED Script Light can be manually reset.

## Multiple Canford LED Script Light Dali and dimSwitch Syncing

Note that the following reset procedure should be carried out only if the following Dali/dimSwitch LED ballast is installed, (LED tube will need to be removed to observe the ballast clearly):-

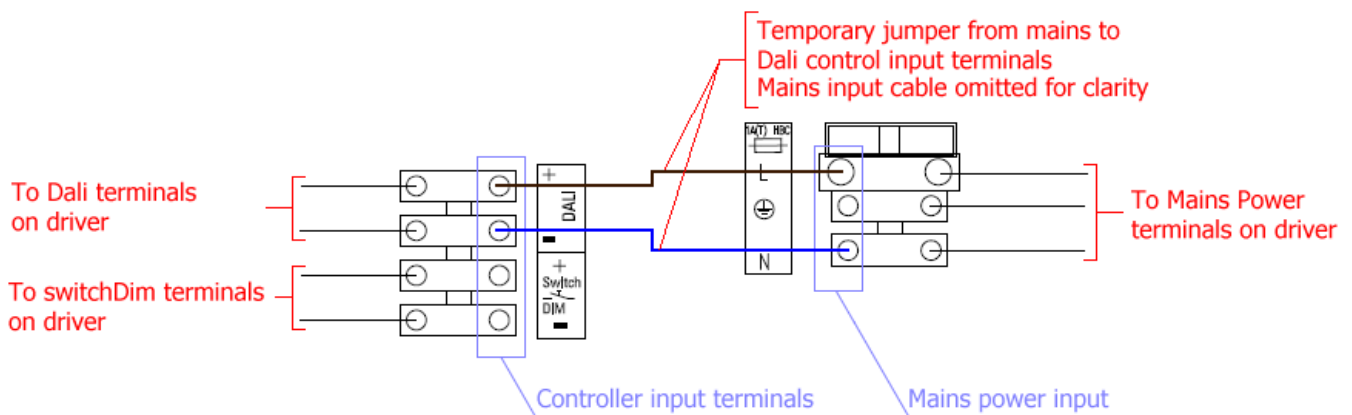


EASEIC LND127 AL art633127 LED driver with mains power input and Dali control input on left, LED lamp output, switchDim control and Dip Switches on the right as illustrated. *Note, there are other versions of this driver where the mains and control inputs are not arranged as illustrated. If such a driver is installed to the Script Light the following reset will not work and should not be undertaken.*

The following reset process effectively resets the individual Script Light to be in a maximum brightness/ON state at power on.

### Reset Procedure:

- 1 Isolate mains power from the Script Light system.
- 2 Check the dimSwitch or Dali controller is wired in parallel to all Script Light ballasts. Correct if required, re-engage mains power and test for correct operation. If the dimSwitch/Dali controller control is wired correctly but one or more units still do not operate as expected, then proceed.....
- 3 Isolate mains power to the Script Light system and temporarily disconnect the dimSwitch or Dali controller control wiring from the control input terminals of the Script Lights.
- 4 On each Script Light using appropriate mains rated cabling, connect the Dali -ve connection to the mains input (N) Neutral connection and Dali +ve connection to the mains input (L) Live connection as illustrated below:-



- 5 Re-engage mains power to the Script Lights for at least 6 seconds.  
*The lamps in the Script Lights should illuminate at full brightness whilst power is applied.*
- 6 Isolate mains power from the Script Light system. Please wait for at least 6 seconds before proceeding.
- 7 Remove the jumper wires from the Dali -ve connection to the mains input (N) Neutral connection and Dali +ve connection from mains input (L) Live connection.
- 8 Ensuring that mains power is isolated from the Script Light system and that the dimSwitch or Dali controller is in the open position/full brightness, (if applicable), reconnect the dimSwitch or Dali control wiring to the control input terminals of the Script Lights.
- 9 Re-engage the mains power to the Script Light system and test for correct operation

If after a manual reset one or more Script Lights do not operate as expected, then after ensuring the installation is as per manufacturers installation instructions for the dimSwitch or Dali controller, it may be that you have faulty ballasts that may need repair/replacement.