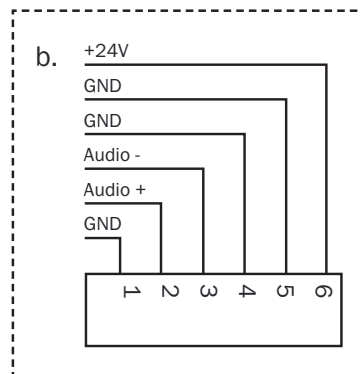
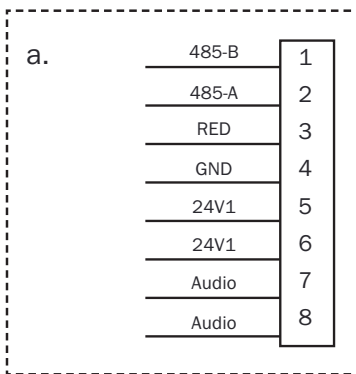
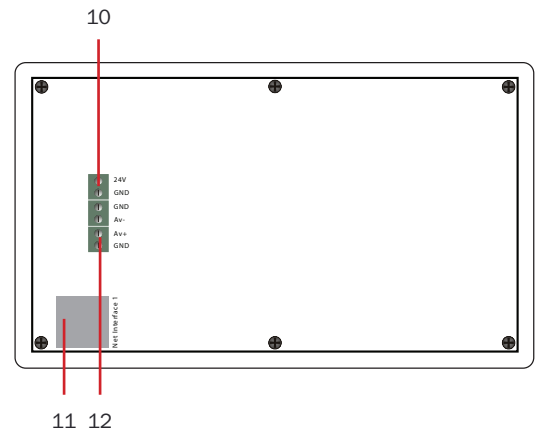
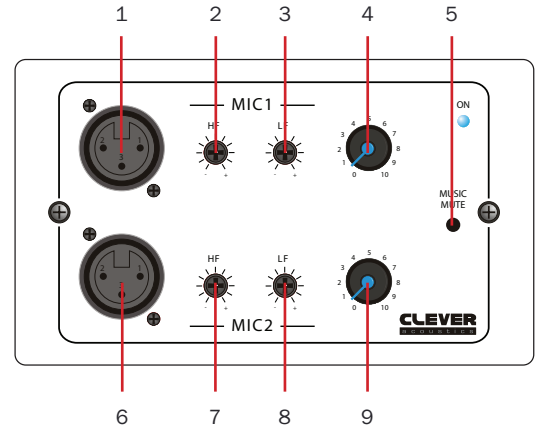


ZM8 Matrix Controller DW Wall Plate

The ZM8 DW Wall Plate is a remote control panel that works together with the ZM8 console to allow remote microphone sources and control of bass and treble.

- 01 - MIC1 input** - This is the microphone input for MIC1 via the XLR type connector.
- 02 - MIC1 treble control** - This adjusts the tone control of the MIC1 input. Clockwise adjustment will increase the treble from low to high.
- 03 - MIC1 bass control** - This adjusts the tone control of the MIC1 input. Clockwise adjustment will increase the bass from low to high.
- 04 - MIC1 master volume control** - This is for the adjustment of the volume of the MIC1 input. Clockwise adjustment will increase the volume from low to high.
- 05 - Music mute button** - This button is used to override the local input microphone over the background music system when it is enabled.
- 06 - MIC1 input** - This is the microphone input for MIC1 via the XLR type connector.
- 07 - MIC1 treble control** - This adjusts the tone control of the MIC1 input. Clockwise adjustment will increase the treble from low to high.
- 08 - MIC1 bass control** - This adjusts the tone control of the MIC1 input. Clockwise adjustment will increase the bass from low to high.
- 09 - MIC1 master volume control** - This is for the adjustment of the volume of the MIC1 input. Clockwise adjustment will increase the volume from low to high.
- 10 - DC 24V input** - DC 24V input required to power the wall plate when the cable length is greater than 50m (see 'b' below).
- 11 - RJ45 communications port** - The RJ45 communication port is used to communicate between the wall plate and the Matrix. It will also be used to power the wall plate when the distance is less than or equal to 50m (see 'a' below).
- 12 - AUX output** - (see 'b' below).



| Specifications | |
|-------------------------------|-------------------|
| Serial communication speed | 4800bps |
| Communication port | RJ45 |
| Communication protocol | RS485 |
| Serial communication distance | 1km maximum |
| MIC input sensitivity | 5mV/600Ω |
| Audio output | 0dB/600Ω |
| Frequency response | 50Hz-18kHz (±1dB) |
| S/N ratio | >65dB |
| THD | <0.1% @ 1kHz |
| Power consumption | 5W |
| Power supply | DC 24V |
| Dimensions (H x W x D) | 86 x 146 x 48mm |
| Weight | 150g |
| Order code | CRAM19C |