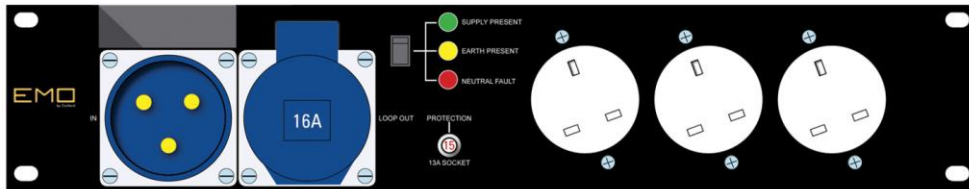
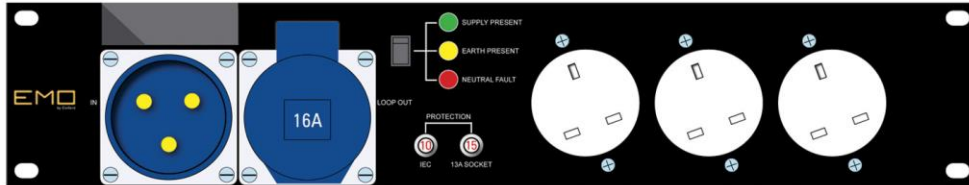


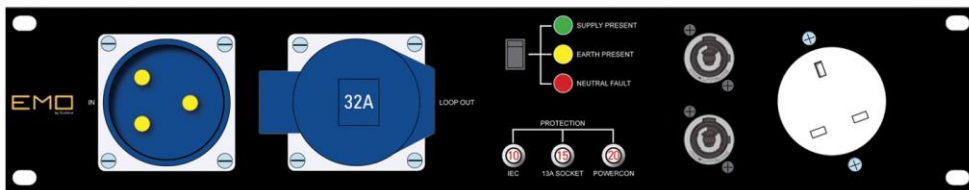
EMO E61x 2U POWER DISTRIBUTION PANELS



42-616 EMO E616 POWER DISTRIBUTION PANEL
16A CEEform In/Loop Out, 9x UK 13A Out, 15A overcurrent thermal circuit breaker



42-617 EMO E617 POWER DISTRIBUTION PANEL
16A CEEform In/Loop Out, 6x UK 13A & 12x 10A IEC Lock Out, 10A & 15A overcurrent thermal circuit breaker



42-618 EMO E618 POWER DISTRIBUTION PANEL
32A CEEform In/Loop Out, 1x UK 13A, 12x 10A IEC Lock & 14x 20A Powercon Out,
10A, 15A & 20A overcurrent thermal circuit breaker

42-616 EMO E616 POWER DISTRIBUTION PANEL

42-617 EMO E617 POWER DISTRIBUTION PANEL

42-618 EMO E618 POWER DISTRIBUTION PANEL

A choice of 16 Amp and 32 Amp CEEform inlets with 20 Amp Powercon, 13 amp UK socket and 10 Amp locking IEC input output connector options housed in a robust 2U steel enclosure for 'on the road' applications. The 16 Amp versions have a recess above the inlet connector which allows the sprung cap of the mating CEEform cable socket to fit into the panel. This avoids interference with the equipment above as well as providing the latching facility necessary to avoid accidental disengagement of the connector.

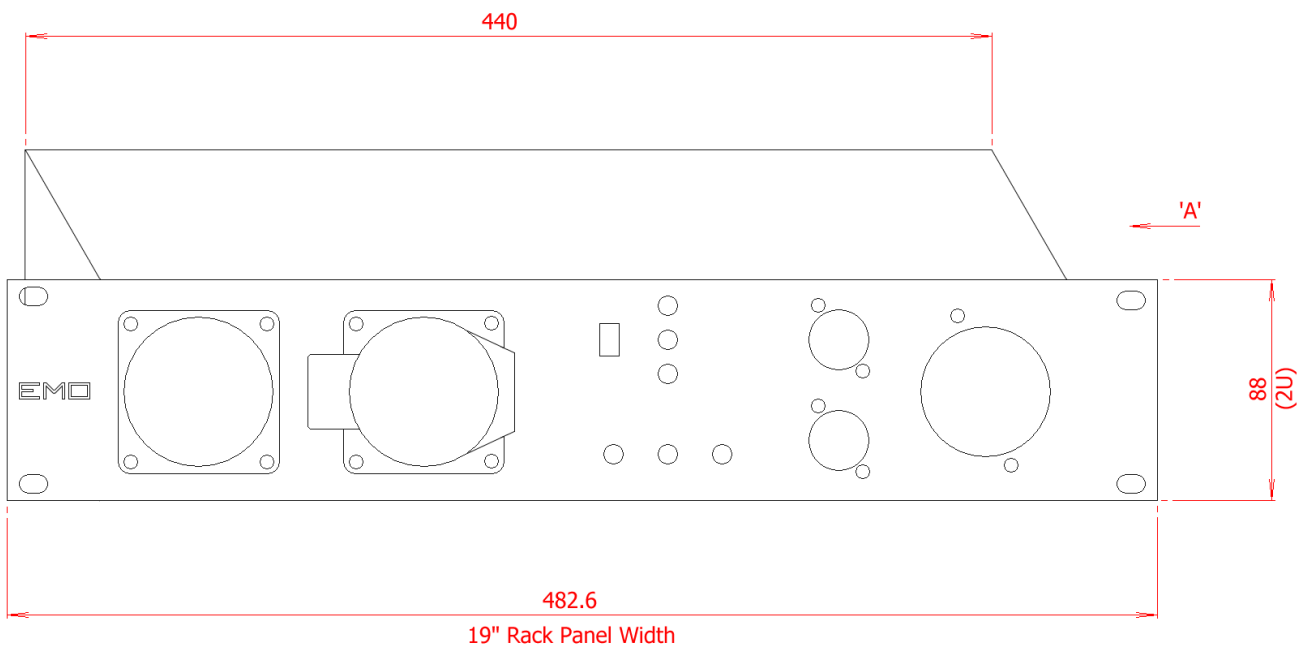
All models have LED "traffic light" indicators to show Supply Present, Earth Present and Neutral Fault status which can be disabled via a rocker switch for low light on stage use and to enable PAT testing. All output connectors are wired via overcurrent thermal circuit breakers. Earth grounding points feature on the rear of all models as standard. 100mm depth rear steel enclosure.

EMO E61x 2U POWER DISTRIBUTION PANELS

Configurations:

Model	Inlet	Front Panel	Rear Panel
E61	16A CEEform In/Loop Out	3 x UK 13A 15A overcurrent thermal circuit breaker	6 x UK 13A
E617	16A CEEform In/Loop Out	3 x UK 13A 10A & 15A overcurrent thermal circuit breakers	12 x 10A IEC Lock, 3 x UK 13A
E618	32A CEEform In/Loop Out	3 x UK 13A, 2x 20A Powercon 15A & 20A overcurrent thermal circuit breaker	12 x 10A IEC Lock, 12x 20A Powercon

Dimensions:



NOTES:
Overhang dependent on model/connectors used

Not to scale
All dims in mm

