

Self Assembly Sliding Tray Fibre Panels with Fibre Management



46-4221 SC SIMPLEX / LC DUPLEX PANEL, 24 cutout, 1U (without couplers) sliding tray, fibre management

46-4222 SC DUPLEX / LC QUAD PANEL, 12 cutout, 1U (without couplers) sliding tray, fibre management

46-4223 SC DUPLEX / LC QUAD PANEL, 24 cutout, 1U (without couplers) sliding tray, fibre management

46-4224 LC MM DUPLEX PANEL COUPLER (also fits SC simplex panel cutout)

46-4225 LC SM DUPLEX PANEL COUPLER (also fits SC simplex panel cutout)

46-4226 LC MM QUAD PANEL COUPLER (also fits SC duplex panel cutout)

46-4227 LC SM QUAD PANEL COUPLER (also fits SC duplex panel cutout)

46-4228 SC MM SIMPLEX PANEL COUPLER, Beige (also fits LC duplex panel cutout) Beige

46-4229 SC SM SIMPLEX PANEL COUPLER, Blue (also fits LC duplex panel cutout) Blue

46-4230 SC MM DUPLEX PANEL COUPLER, Beige (also fits LC quad panel cutout) Beige

46-4231 SC SM DUPLEX PANEL COUPLER, Blue (also fits LC quad panel cutout) Blue

46-4232 SC SIMPLEX / LC DUPLEX PANEL BLANKING PLATE

46-4233 SC DUPLEX / LC QUAD PANEL BLANKING PLATE

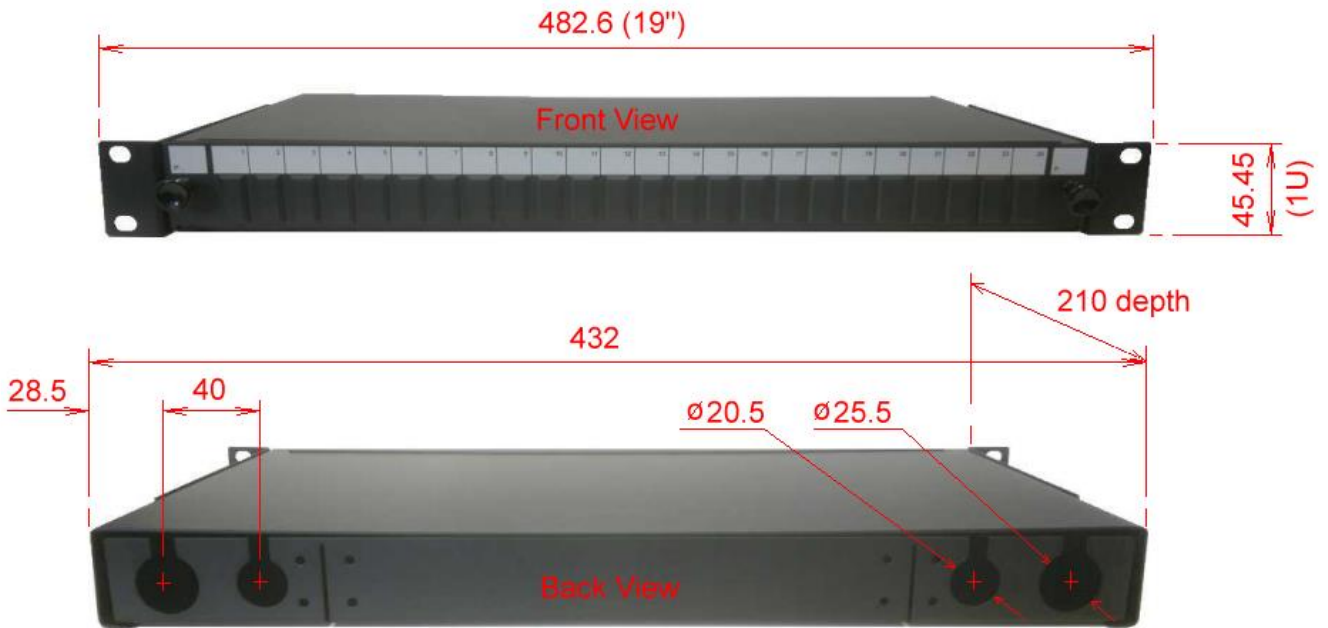
A self-assembly fibre panel system allowing SC and LC, multimode and singlemode couplers to be combined in a single panel. The innovative double-skin front panel design clamps the coupler flange so individual screws are not necessary to mount the couplers within the panel. The inner panel is secured by two internal screws making assembly extremely simple and quick. Couplers have precision ceramic sleeves for accurate alignment and lower loss.

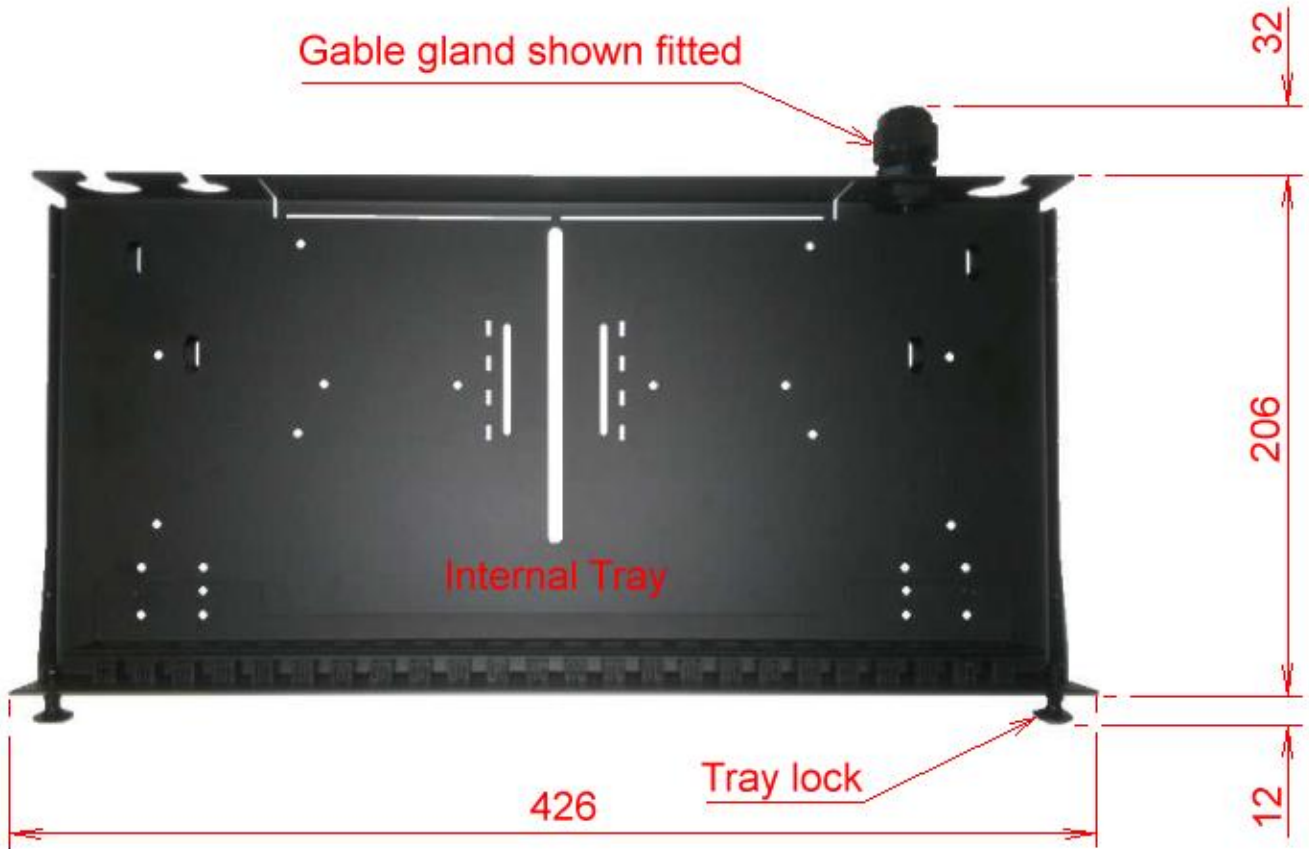
SC couplers are twice the size of LC couplers, so panel cut-outs are designed to accept either an SC simplex or LC duplex, or alternatively an SC duplex or LC quad coupler. Blanking plates may be used to seal unused cut-outs. Panels have an integral sliding tray and fibre management fixtures offering easy access for termination, reconfiguration and fault finding. The rear panel is fitted with a cable gland. Finished in black with a write-on white paint designation strip.

Self assembly panels include sliding trays and fibre management fixtures. Couplers and blanking plates are priced individually and must be ordered separately.

Dimensions of sliding tray fibre panel

46-4221 SC SIMPLEX / LC DUPLEX PANEL, 24 cutout illustrated





Included accessories

Contents may vary according to specific model

