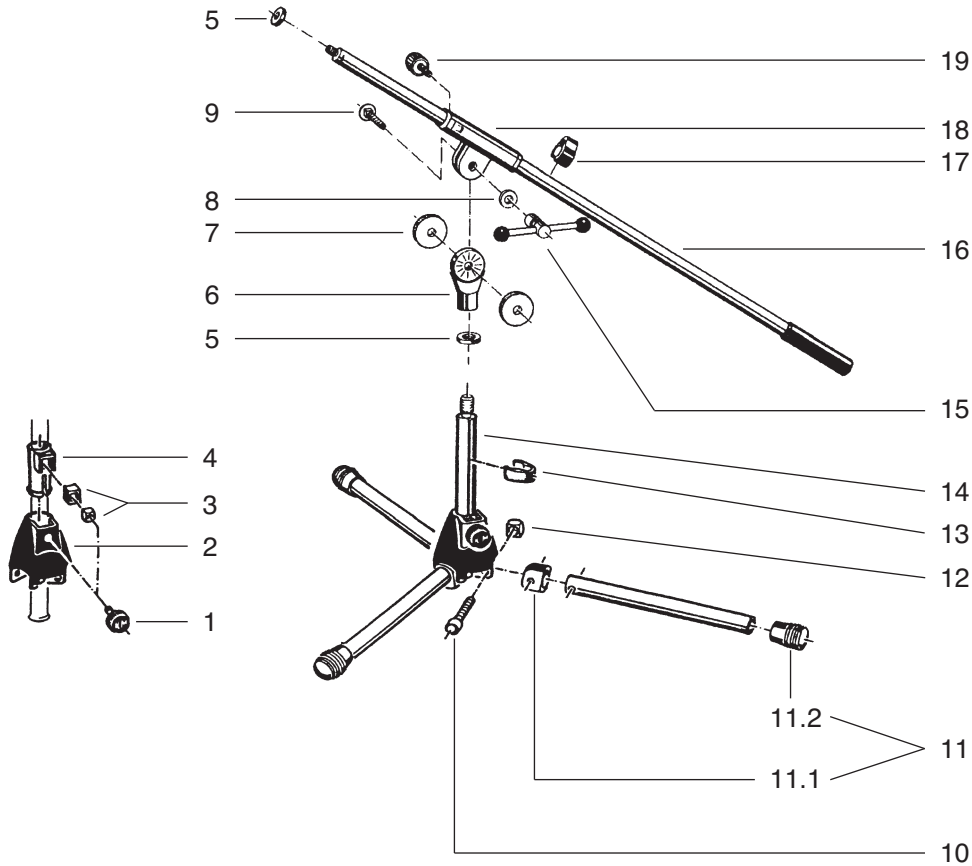


259/1 Microphone Stand

25910-300-02 chrome

25910-300-55 black



pos.	description	art.-no.		qty
		chrome	black	
1	knurled knob M6 x 22 mm	01-82-838-55	01-82-838-55	1
2	socket	02-41-130-55	02-41-130-55	1
3	plastic locking spacer complete	6-86642-1-55	6-86642-1-55	1
4	spacer ring	01-86-261-55	01-86-261-55	1
5	aluminum knurled washer	03-31-525-00	03-31-550-15	2
6	swivel head	02-40-430-55	02-40-430-55	1
7	rubber washer	03-21-160-55	03-21-160-55	2
8	steel washer	03-11-525-01	03-11-525-01	1
9	carriage bolt M8 x 30 mm	03-07-530-25	03-07-530-25	1
10	allen screw M5 x 40 mm	03-02-180-00	03-02-180-00	3
11	leg, consisting of:			3
11.1	plastic connector joint (set)	7-201-300655	7-201-300655	1
11.2	end cap (set)	7-201-300555	7-201-300555	1
12	locking nut M5	03-08-210-29	03-08-210-29	3
13	cable holder	01-85-970-55	01-85-970-55	1
14	base rod with 3/8" thread	-	6-25910-3-55	1
15	T bar screw assembly	6-30351-1-02	6-30351-1-55	1
16	boom arm with 3/8" thread	7-211-230102	7-211-230155	1
17	cable holder	01-85-960-55	01-85-960-55	1
18	swivel joint assembly	6-27105-1-55	6-27105-1-55	1
19	knurled knob M6 x 12 mm	01-82-828-55	01-82-828-55	1