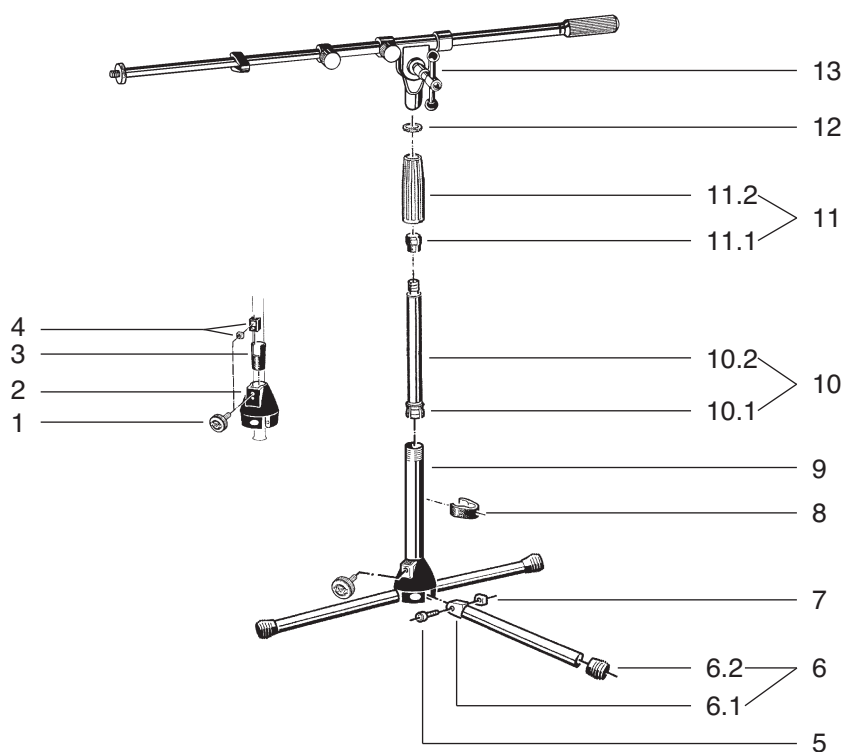


## 259 Microphone Stand

25900-300-01 nickel

25900-300-55 black



pos.	description	art.-no. nickel	art.-no. black	qty
1	knurled knob M6 x 16 mm	01-82-948-55	01-82-948-55	1
2	socket	02-41-130-55	02-41-130-55	1
3	spacer ring	01-86-261-55	01-86-261-55	1
4	plastic locking spacer	6-86642-1-55	6-86642-1-55	1
5	allen screw M5 x 36 mm (set)	7-210-200100	7-210-200100	3
6	complete leg, consisting of:			3
6.1	plastic connector joint (set)	7-201-300655	7-201-300655	1
6.2	end cap (set)	7-201-300555	7-201-300555	1
7	locking nut M5	03-08-210-29	03-08-210-29	3
8	plastic cable holder ø 20 mm	01-85-970-55	01-85-970-55	1
9	base rod	-	02-75-120-55	1
10	extension rod complete, consisting of:	-	7-259-030455	1
10.1	plastic stop	01-85-070-55	01-85-070-55	1
10.2	extension rod	-	7-259-030555	1
11	sleeve assembly complete, consisting of:	7-200-000555	7-200-000555	1
11.1	plastic ring	01-86-820-55	01-86-820-55	1
11.2	plastic tightening sleeve	01-86-920-55	01-86-920-55	1
12	aluminium threaded washer	03-31-525-00	03-31-550-15	1
13	boom arm 211/1	21110-300-01	21110-300-55	1