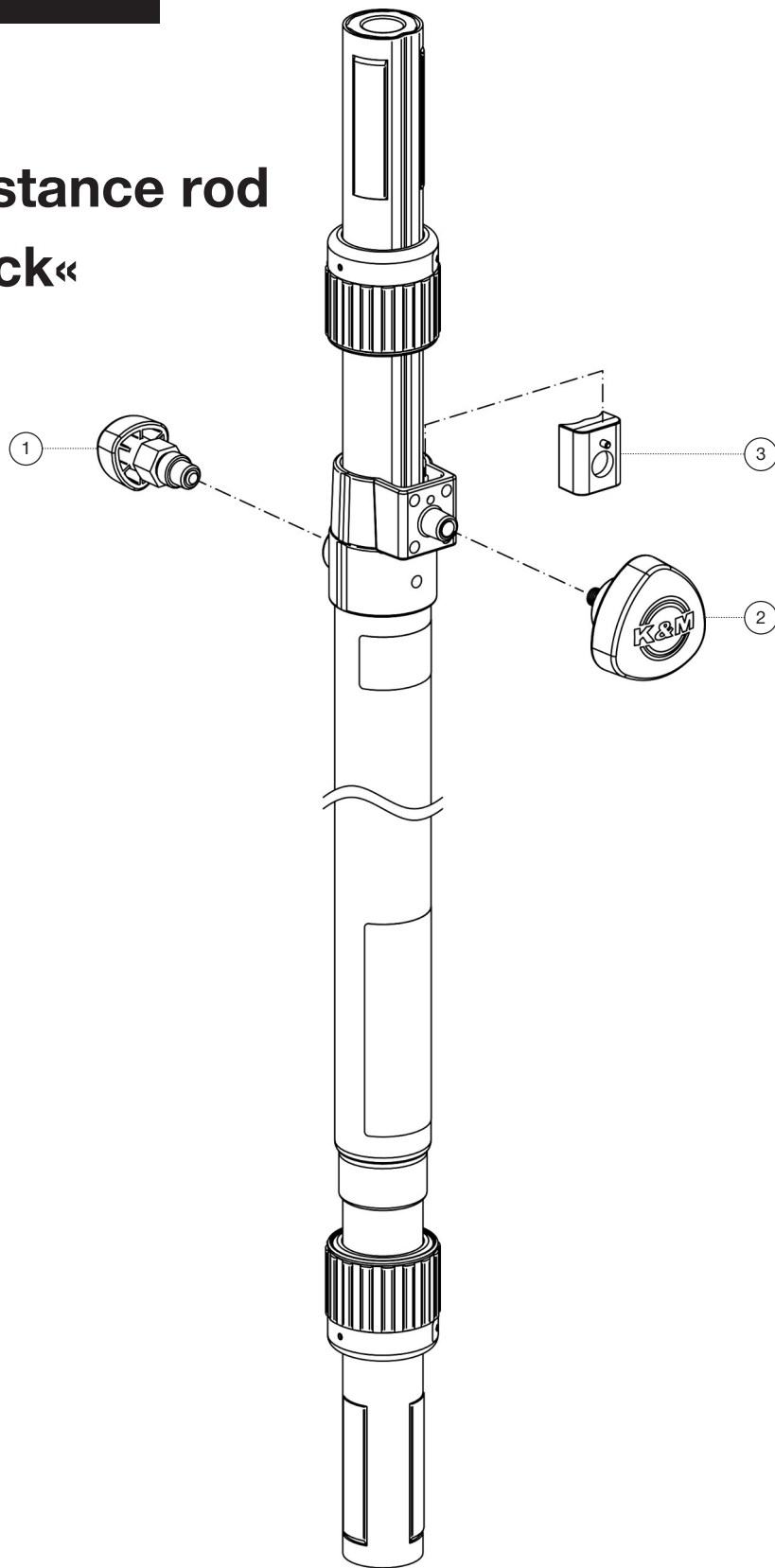


Spare parts list

# 21366 Distance rod »Ring Lock«

21366-014-55 - black

\*Rev 02



Position	Description	Article No.	Quantity
1	Spring-loaded bolt complete	<a href="#">6-21460-5-00</a>	1
2	Clamping screw with logo M8 x 16/33 mm	<a href="#">01-82-763-55</a>	1
3	Clamping element with slot R17	6-86710-1-55	1