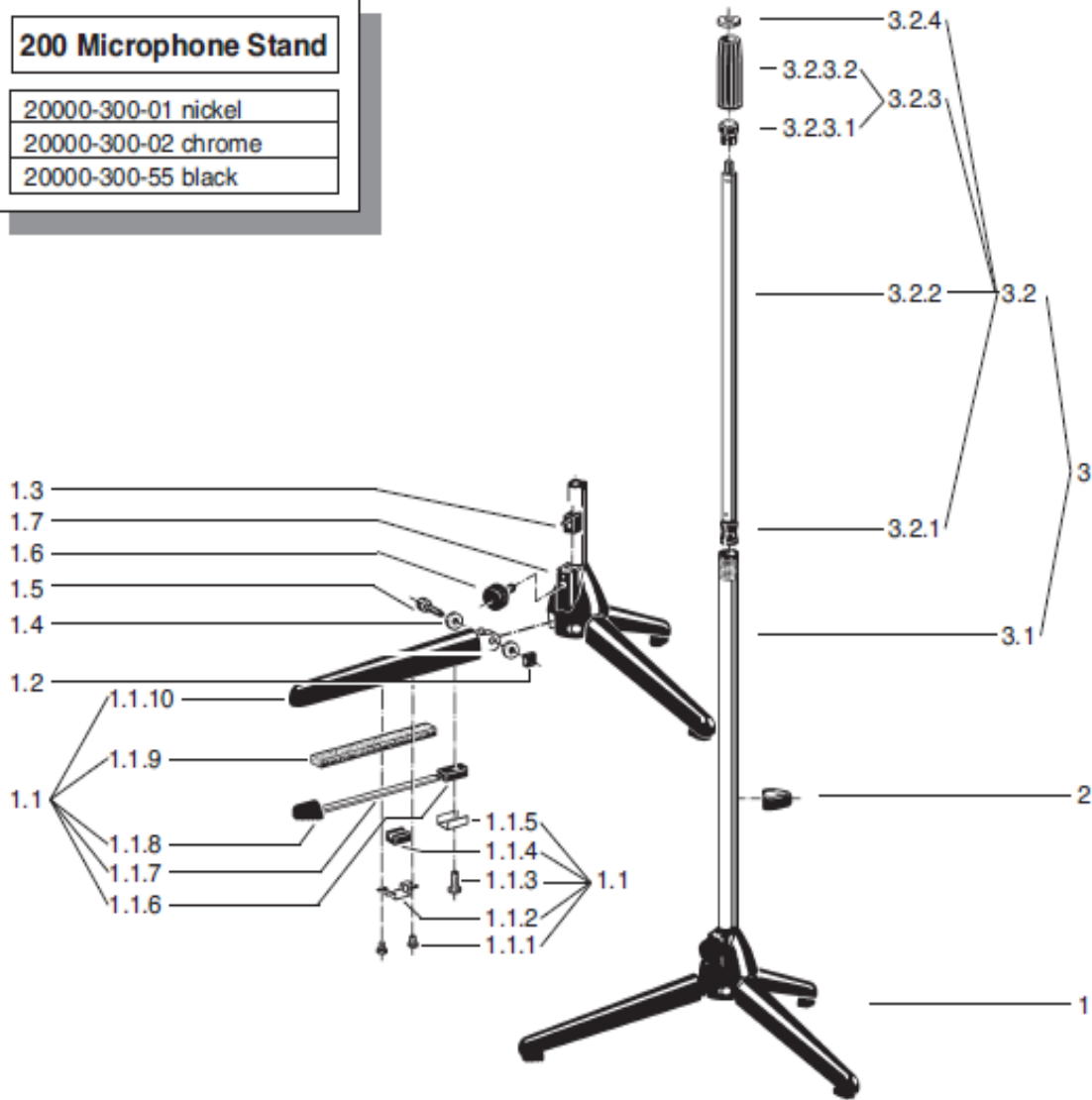


200 Microphone Stand
20000-300-01 nickel
20000-300-02 chrome
20000-300-55 black



Please email enquiries@canford.co.uk for a quotation on items listed as POA.

Drawing position	Description	K&M Article no. Nickel	K&M Article no. Chrome	K&M Article no. Black	Canford Order code
1	complete base, consisting of:	7-200-001255	7-200-001255	7-200-001255	NSR-27868
1.1	complete leg, consisting of:	6-20000-3-55	6-20000-3-55	6-20000-3-55	POA
1.1.1	head cap screw M4 x 6 mm	03-05-110-01	03-05-110-01	03-05-110-01	POA
1.1.2	fastening plate	01-38-600-29	01-38-600-29	01-38-600-29	POA
1.1.3	slotted fillister head bolt	03-05-364-01	03-05-364-01	03-05-364-01	POA
1.1.4	grooved rubber fitting	03-21-351-55	03-21-351-55	03-21-351-55	POA
1.1.5	U-clamp	01-28-050-01	01-28-050-01	01-28-050-01	NSR-19684
1.1.6	rubber fitting	03-21-200-55	03-21-200-55	03-21-200-55	NSR-19686
1.1.7	absorber rod	01-03-320-01	01-03-320-01	01-03-320-01	POA
1.1.8	rod end cap / foot	03-20-020-55	03-20-020-55	03-20-020-55	53-751
1.1.9	rubber insulator strip	03-22-630-00	03-22-630-00	03-22-630-00	NSR-19687
1.1.10	leg	02-41-335-55	02-41-335-55	02-41-335-55	POA
1.2	locking nut	03-08-210-29	03-08-210-29	03-08-210-29	53-713
1.3	plastic locking spacer	6-86642-1-55	6-86642-1-55	6-86642-1-55	53-847

Drawing position	Description	K&M Article no. Nickel	K&M Article no. Chrome	K&M Article no. Black	Canford Order code
1.4	insulator washer	03-21-430-59	03-21-430-59	03-21-430-59	NSR-16365
1.5	allen screw	03-02-176-00	03-02-176-00	03-02-176-00	NSR-27869
1.6	toggle screw M6 x 16 mm	01-82-948-55	01-82-948-55	01-82-948-55	53-738
1.7	socket	02-41-130-55	02-41-130-55	02-41-130-55	POA
2	plastic cable holder	01-85-970-55	01-85-970-55	01-85-970-55	53-771
3	rod combination cpl., consisting of:	7-200-030801	7-200-030802	7-200-030855	53-859 / POA / 53-860
3.1	base rod	02-75-420-01	02-75-420-02	02-75-420-55	POA
3.2	extension rod cpl., consisting of	7-200-030701	7-200-030702	7-200-030755	POA / POA / 53-858
3.2.1	plastic stop	01-85-070-55	01-85-070-55	01-85-070-55	NSR-16440
3.2.2	extension rod with 3/8" thread	7-200-030901	7-200-030902	7-200-030955	NSR-24793/ POA/ 53-891
3.2.3	sleeve assembly cpl., consisting of:	7-200-000555	7-200-000555	7-200-000555	53-710
3.2.3.1	plastic ring	01-86-820-55	01-86-820-55	01-86-820-55	NSR-16441
3.2.3.2	plastic tightening sleeve	01-86-920-55	01-86-920-55	01-86-920-55	53-848
3.2.4	aluminum threaded washer	03-31-525-00	03-31-525-00	03-31-550-15	53-770/53-770/53-722