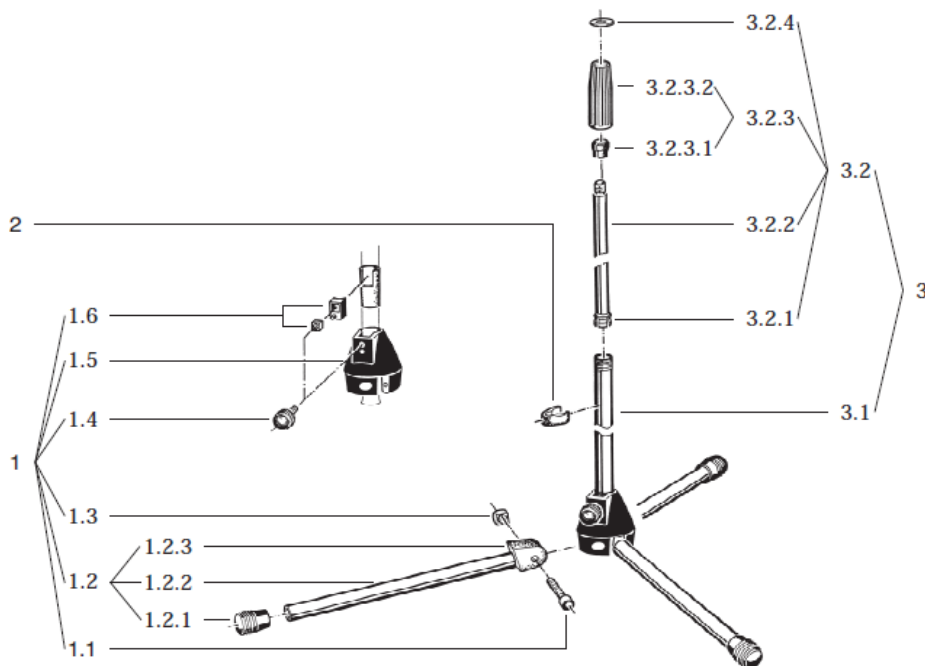


## 201 A/2 Microphone Stand

20130-300-01 nickel  
20130-300-55 black



Please email [enquiries@canford.co.uk](mailto:enquiries@canford.co.uk) for a quotation on items listed as POA.

Drawing Position	Description	K&M article no. Nickel	K&M article no. Black	Canford Order Code
1	complete base, consisting of:	7-201-300201	7-210-200955	POA / <a href="#">53-714</a>
1.1	allen screw M5 x 36 mm (set)	7-210-200100	7-210-200100	<a href="#">53-711</a>
1.2	complete leg, consisting of:	6-21025-1-01	6-21025-1-55	POA / POA
1.2.1	end cap (set)	7-201-300555	7-201-300555	<a href="#">53-756</a>
1.2.2	leg tubing	02-83-525-01	02-83-525-55	POA / POA
1.2.3	plastic connector joint (set)	7-201-300655	7-201-300655	NSR-20188
1.3	locking nut M5	03-08-210-29	03-08-210-29	<a href="#">53-713</a>
1.4	knurled knob M6 x 16 mm	01-82-948-55	01-82-948-55	<a href="#">53-738</a>
1.5	socket	02-41-130-55	02-41-130-55	POA
1.6	plastic locking spacer with nut cpl.	6-86642-1-55	6-86642-1-55	<a href="#">53-847</a>
2	plastic cable holder ø 20 mm	01-85-970-55	01-85-970-55	<a href="#">53-771</a>
3	rod combination cpl., consisting of:	7-200-030801	7-200-030855	<a href="#">53-859</a> / <a href="#">53-860</a>
3.1	base rod	02-75-420-01	02-75-420-55	POA / POA
3.2	extension rod cpl., consisting of:	7-200-030701	7-200-030755	POA / <a href="#">53-858</a>
3.2.1	plastic stop ø 13 mm	01-85-070-55	01-85-070-55	NSR-16440
3.2.2	extension rod with 3/8" thread	7-200-030901	7-200-030955	NSR-24793/ <a href="#">53-891</a>
3.2.3	sleeve assembly cpl., consisting of:	7-200-000555	7-200-000555	<a href="#">53-710</a>
3.2.3.1	plastic ring	01-86-820-55	01-86-820-55	NSR-16441
3.2.3.2	plastic tightening sleeve	01-86-920-55	01-86-920-55	<a href="#">53-848</a>
3.2.4	aluminum threaded washer 3/8"	03-31-525-00	03-31-550-15	<a href="#">53-770</a> / <a href="#">53-722</a>