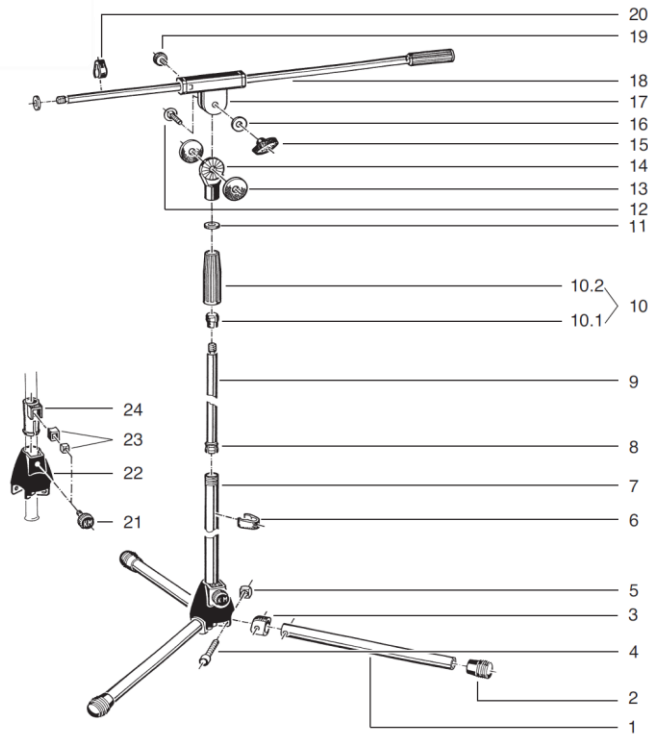


21060 Microphone Stand

21060-300-87 gray

21060-300-02 nickel

21060-300-55 black



Please email enquiries@canford.co.uk for a quotation on items listed as POA.

Drawing Position	Description	K&M article no. grey	K&M article no. Nickel	K&M article no. Black	Canford Order Code
1	leg tubing	02-83-525-87	02-83-525-01	02-83-525-55	POA / POA / POA
2	end cap (set)	7-201-300555	7-201-300555	7-201-300555	NSR-16667
3	plastic connector joint (set)	7-201-300655	7-201-300655	7-201-300655	NSR-10754
4	allen screw M5 x 40 mm	03-02-180-00	03-02-180-00	03-02-180-00	POA
5	locking nut M5	03-08-210-29	03-08-210-29	03-08-210-29	53-713
6	plastic cable holder ø 20 mm	01-85-970-55	01-85-970-55	01-85-970-55	53-771
7	base rod	02-75-419-87	02-75-420-01	02-75-420-55	POA / POA / POA
8	plastic stop	01-85-070-55	01-85-070-55	01-85-070-55	NSR-16440
9	extension rod complete	7-200-030987	7-200-030901	7-270-030555	POA / NSR-24793 / POA
10	sleever assembly complete, consisting of:	7-210-600587	7-200-000555	7-200-000955	POA / 53-710 / POA
10.1	plastic ring	01-86-820-55	01-86-820-55	01-86-820-55	NSR-16441
10.2	plastic tightening sleever	03-22-410-55	01-86-920-55	01-86-920-55	POA / 53-848
11	aluminium threaded washer 3/8"	03-31-550-15	03-31-525-00	03-31-550-15	53-770 / 53-722
12	carriage bolt M8 x 30 mm	03-07-530-25	03-07-530-25	03-07-530-25	POA
13	rubber washer 3 mm	03-21-160-55	03-21-160-55	03-21-160-55	POA
14	swivel head 3/8"	02-40-430-87	02-40-430-55	02-40-430-55	POA / 53-772
15	locking knob	01-83-980-55	01-83-980-55	01-83-980-55	53-894
16	washer ø 8,4 mm	03-11-525-01	03-11-525-01	03-11-525-01	53-742
17	swivel joint	6-27105-1-87	6-27105-1-55	6-27105-1-55	POA / 53-741
18	extension tube complete	7-270-030887	7-270-030801	7-270-030855	POA / POA / POA
19	toggle screw M6 x 12 mm with K&M logo	01-82-828-55	01-82-828-55	01-82-828-55	53-893
20	plastic cable holder ø 15 mm	01-85-960-55	01-85-960-55	01-85-960-55	53-736
21	toggle screw M6 x 22 mm with K&M logo	01-82-838-55	01-82-838-55	01-82-838-55	53-790
22	socket	02-41-110-87	02-41-110-55	02-41-110-55	POA / POA
23	plastic locking spacer complete	6-86642-1-55	6-86642-1-55	6-86642-1-55	53-847
24	spacer ring	01-86-261-55	01-86-261-55	01-86-261-55	53-880