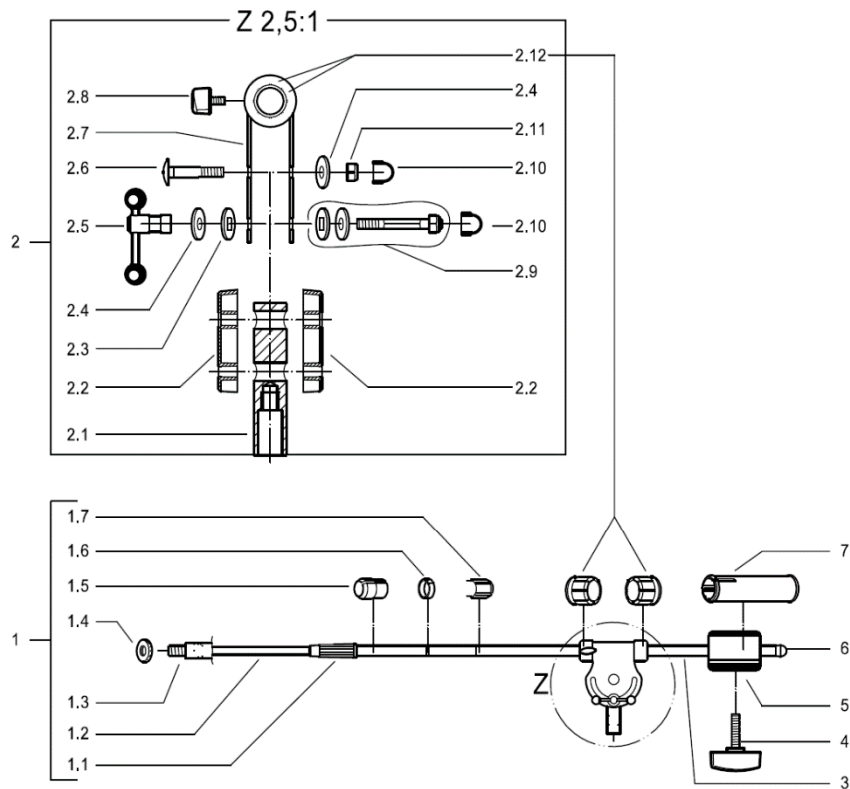


21231 boom arm 212c
 21231-400-55 black, 1/2"



Please email enquiries@canford.co.uk for a quotation on items listed as POA.

Drawing Position	Description	K&M article no.	Canford Order Code
1	Extension w/thread 3/8" complete, consisting of:	6-21231-1-55	NSR-12164
1.1	Plastic tightening sleeve	01-86-925-55	NSR-12165
1.2	Extension rod	02-71-952-55	NSR-12166
1.3	Thread 3/8"	01-04-490-29	NSR-12167
1.4	Aluminium threaded washer 3/8"	03-31-550-15	53-722
1.5	Plastic ring	01-86-820-55	NSR-16441
1.6	Safety shell	01-86-835-55	NSR-12170
1.7	Plastic stop	01-85-070-55	NSR-16440
2	Swivel w/connector complete, consisting of:	7-212-310455	NSR-35551
2.1	Connecting piece 1/2"	01-06-605-55	NSR-12172
2.2	Segment shell	01-87-675-55	NSR-12173
2.3	Disk w/square hole	01-86-956-55	NSR-35527
2.4	Washer ø 8.4mm	03-11-525-25	NSR-12174
2.5	T-bar screw	6-30351-1-55	53-724
2.6	Carriage bolt M8 x 45mm	03-07-555-25	NSR-12176
2.7	U-swivel joint	5-21430-3-55	NSR-12178
2.8	Locking screw M6 x 9mm	01-83-040-55	NSR-12177
2.9	Hexagon thread bolt cpl.	6-21430-3-00	NSR-12179
2.10	Protection cap. M8	03-20-415-55	NSR-12180
2.11	Locking nut M8	03-08-440-29	NSR-12181
2.12	Guiding bush	01-86-300-55	NSR-12188
3	Base rod	02-75-510-55	NSR-12182
4	Clamping screw M8 x 3 mm	01-83-970-55	POA
5	Balance weight	01-03-970-55	NSR-12185
6	End cap	03-20-938-55	NSR-12186
7	Push bush	01-96-355-55	NSR-12187