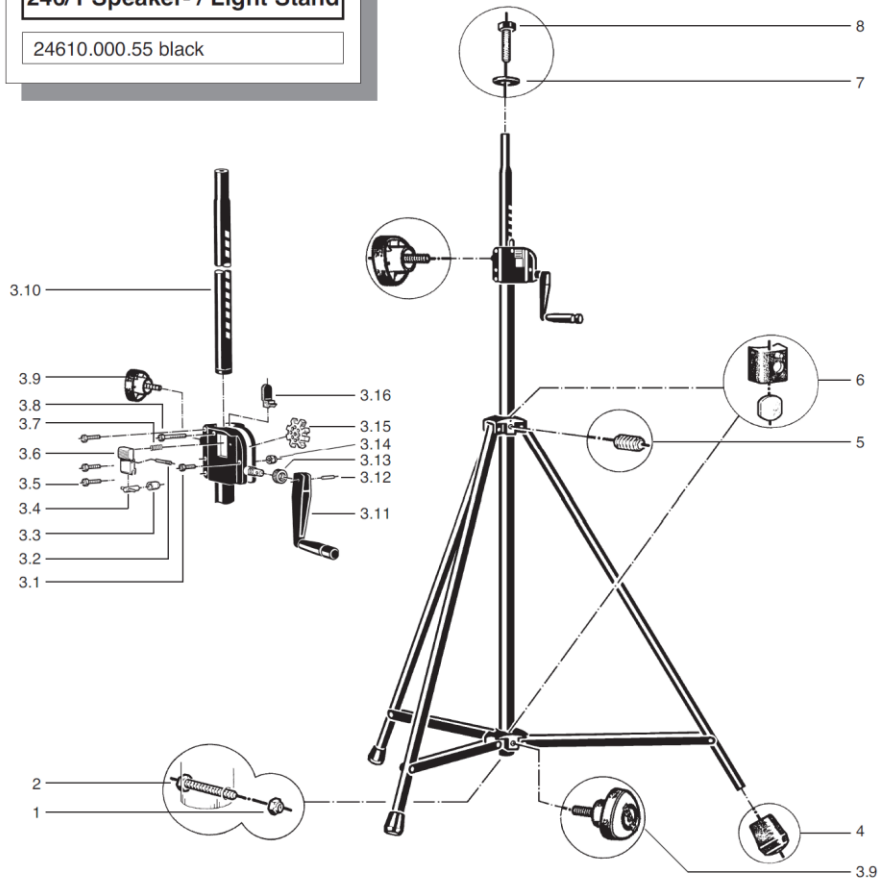


**246/1 Speaker- / Light Stand**

24610.000.55 black



Please email [enquiries@canford.co.uk](mailto:enquiries@canford.co.uk) for a quotation on items listed as POA.

Drawing position	Description	K&M Article no.	Canford order code
1	locking nut M6	03-08-340-29	POA
2	carriage bolt M6 x 50 mm	03-01-390-25	POA
3	hand crank with extension rod cpl., consisting of:	7-246-100555	POA
3.1	socket head screw M6 x 16 mm	03-02-210-25	NSR-15625
3.2	cap nut $\varnothing$ 3 x 30 mm	03-14-150-29	NSR-17079
3.3	reinforcing sleeve	01-05-105-00	NSR-17080
3.4	spring loaded locking bolt with straight pin	6-21300-4-00	POA
3.5	socket head screw M6 x 22 mm	03-02-225-25	POA
3.6	lever	02-41-690-64	POA
3.7	compression spring	03-15-140-00	NSR-17083
3.8	socket head screw M6 x 40 mm	03-02-250-25	POA
3.9	base assembly locking knob M8 x 21/38 mm	01-82-783-55	<a href="#">53-712</a>
3.10	extension rod cpl.	5-24610-2-55	POA
3.11	hand crank	7-213-000355	POA
3.12	rivet $\varnothing$ 4 x 27 mm	03-61-585-01	POA
3.13	knurled adjusting nut	01-06-450-35	POA
3.14	cap nut	03-08-330-29	<a href="#">53-774</a>
3.15	gear	03-41-705-00	NSR-26514
3.16	finger guard	01-89-710-55	NSR-17084
4	rubber leg cap	03-20-090-55	POA
5	headless screw M8 x 12 mm	03-04-430-00	POA
6	plastic locking spacer	01-86-731-55	POA
7	washer	01-36-320-55	POA
8	carriage bolt M10 x 40 mm	03-01-760-25	POA