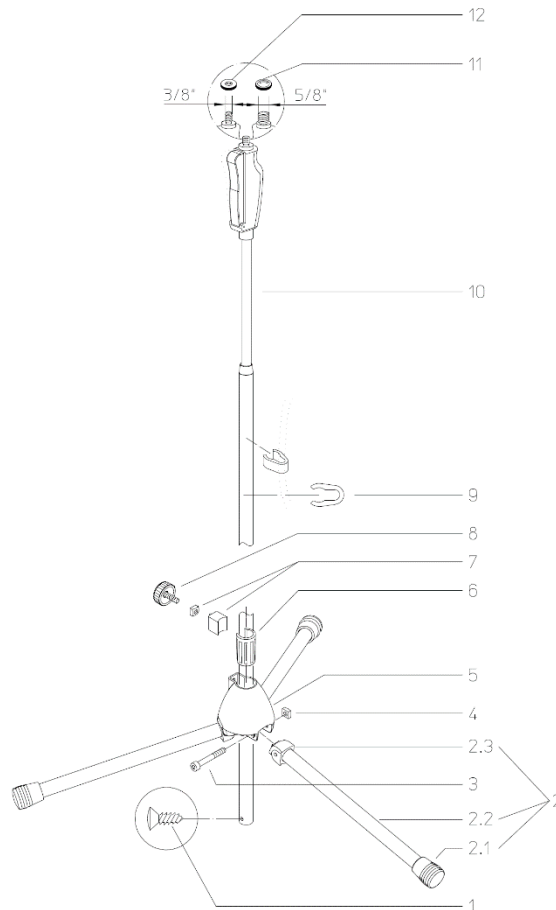


## 25680 Microphone Stand

25680-300-55 3/8"  
25680-500-55 5/8"



Please email [enquiries@canford.co.uk](mailto:enquiries@canford.co.uk) for a quotation on items listed as POA.

Drawing Position	Description	K&M article no.	Canford Order Code
1	Screw Ø 3,5 x 9,5	03-02-655-25	POA
2	Leg complete, consisting of:	6-21025-1-01	POA
2.1	End cap	01-84-980-55	NSR-33619
2.2	Leg tubing	02-83-525-01	POA
2.3	Plastic connector joint	01-87-926-55	POA
3	Allen screw M5 x 36	03-02-176-00	NSR-27869
4	Locking nut M5	03-08-210-29	<a href="#">53-713</a>
5	Socket	02-41-110-55	POA
6	Spacer ring	01-86-261-55	<a href="#">53-880</a>
7	Plastic locking spacer with nut complete	6-86642-1-55	<a href="#">53-847</a>
8	Knurled knob M6 x 16	01-82-948-55	<a href="#">53-738</a>
9	Plastic cable holder Ø 20	01-85-970-55	<a href="#">53-771</a>
10	Rod combination 1/one-hand clutch	03-19-744-55	POA
11	Alu disc 5/8"	03-31-555-15	POA
12	Alu disc 3/8"	03-31-550-15	<a href="#">53-722</a>