

19" IP65 Outdoor Cabinets



19" IP65 Outdoor Cabinet

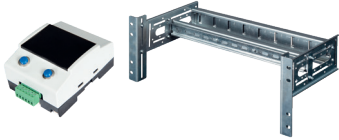
4-12 19" IP65 Outdoor Cabinet 600x650 mm



13-21 19" IP65 Outdoor Cabinet 600x800 mm



22-40 Accessories



19" IP65 Outdoor Cabinet

W=600 mm D= 650/800 mm 19" IP65 Outdoor Cabinets

- IP65 Industrial Enclosures for IT-Systems
- Type: Free Standing IP65
- Produced in 2 depth variants
Width x Depth: W600 x D650 (mm)
Width x Depth: W600 x D800 (mm)
- Total 7 Height options 09U, 12U, 16U, 20U, 22U, 24U, 26U

Based on the application areas, the corrosive agents, humidity effects, salty environmental effects in seaports Lande OD series enclosures constructed from different corrosive resistance reaction level materials.

Can be AISI 304, 316L, 430 Grade stainless steel or alternatively there is an economical Solution where a lower grade of corrosion resistance is provided, the same enclosure is offered hot dip pre-galvanized DX51 D+275gr/m² zinc plated, please define your material indications on the part numbers.

- Double layer structure
- Insulation material between external and internal layers
- RAL7035 polyester outdoor type paint
- Anti-graffiti and insul-paint applicable with RAL 9003 Signal White Polyurethane finish, optionally offered
- IP65 Protection Level (EN60529) covers indicatively
- Nema-250 classifications 3, 3S, 4, 4X, 5, 12, 12K, 13
- Polyurethane infused sealing system for IP level



19" IP65 Outdoor Cabinet

Width: 600 mm
Depth: 650 mm

Load Capacity: 500 kgs.

**U Height: 9U, 12U, 16U, 20U,
22U, 24U, 26U**

Standards and Compliances:



ISO 9001
Quality Management System

EN 61587-1
Mechanical Structures for
Electronic Equipment

EN IEC 297-1, 19" Mounting
EN IEC 297-2 Overall Cabinet
Dimensions

EN/IEC 60529- IP65 Ingress Protection
performance

EN/IEC 62262- IK10 Mechanical Impact
Resistance

EIA/ ECA-310 (D/E) 19" 482,6 mm
and U 44,45 mm Height Sizing



CE conform to
EN 60950-1
Information Technology
Equipment, Safety,
Part-1: General Requirement

EN IEC 62368-1 Audio/Video, Information
and Communication Technology
Equipment
Part 1: Safety requirements



UL listed to
UL 2416, Outline of Investigation for
Audio/Video, Information and
Communication Technology Equipment
Cabinet, Enclosure and Rack
Systems; UL 60950-1 and CSA C22.2
NO. 60950-1-07, Information Technology
Equipment Safety
Part 1: General Requirements



Environment Friendly;
ISO 14001 Environmental
Management System
RoHS compliancy
%100 Recyclable Material



ISO 45001
The Occupational Health and Safety
Management System

Standard Color:



RAL 7035 Light Grey

Optional Color:



RAL 9003 Signal White
Antigrafitti and Insulpaint



19" IP65 Outdoor Cabinet

Width: 600 mm
Depth: 650 mm

Construction details:

Front side has inner door, which is lockable provides additional security and additional protection especially for dust entry once main door is not locked.

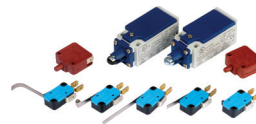
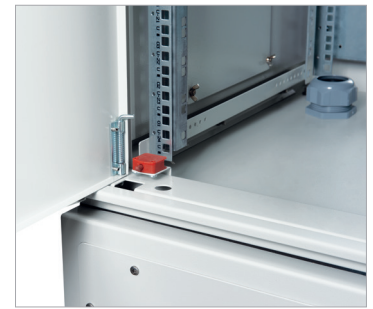
The cabinet can be equipped with mechanical or magnet door sensors on demand.

The inner skin has wingnut installed (can be opened by hand no tools required) ventilation channel and replaceable filter location.

Bottom case has multiple access with 2xPG21, 1xPG48 integrated cable entry ports, 2 pcs 28 mm diameter PVC Blind cap. As an option can be replaced with PG21 cable entry ports. After insertion of the cables to the enclosure, recommended to close the openings with foam or isolation material. In addition all IP65 cabinets are delivered with a plain metal cable entry panel which means if shipping configuration cable entry ports are not suitable for your project any punching can be done on the spare cable entry plain panel.

The cabinet is equipped with hinged canopy roof which also has a hinged mechanism keeps canopy open during installation and maintenance period. The canopy is gasketed for EN 60529 protection purposes for the fan module allowing

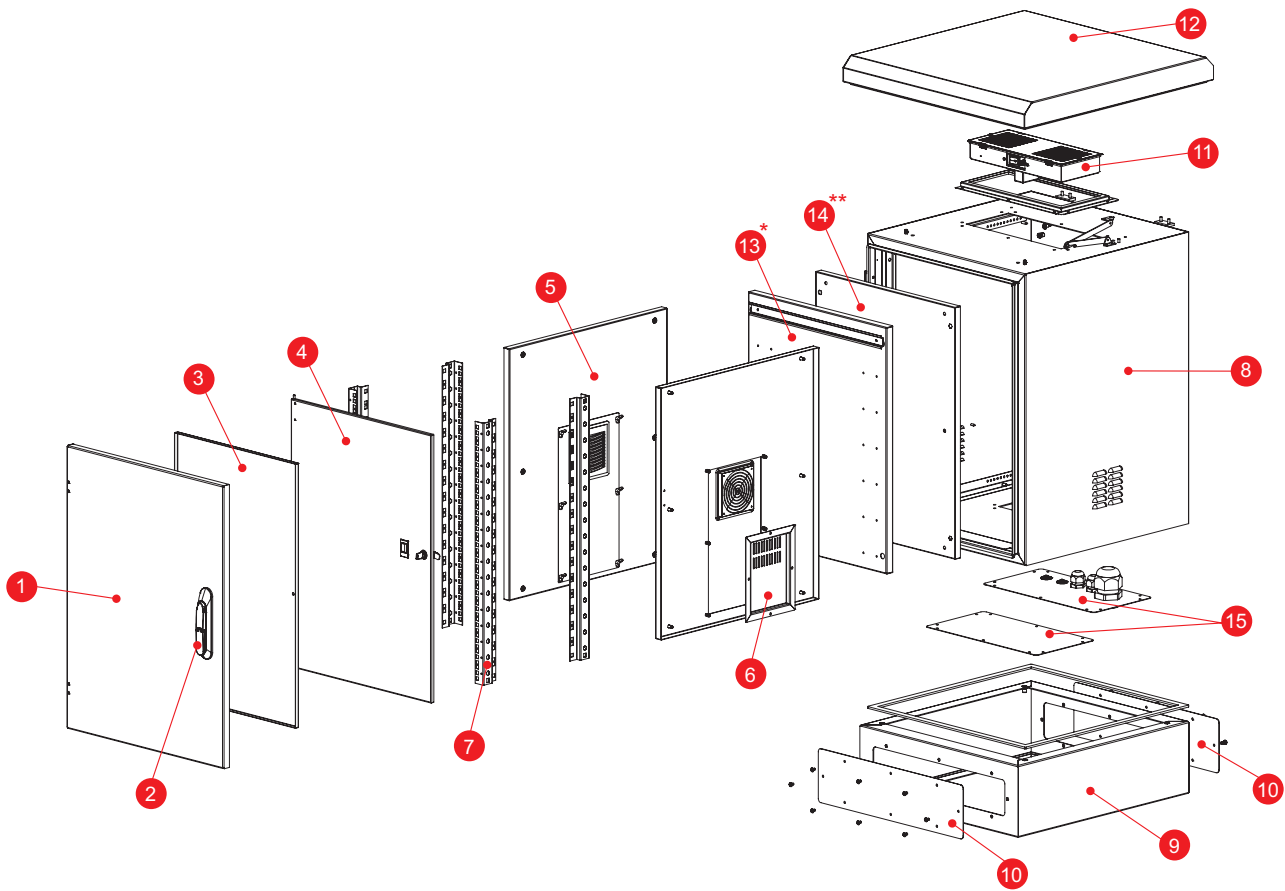
Fans to discharge the hot air from enclosure via hidden ventilation louvers while still providing EN 60529 IP65 protection to the enclosure Front and rear side of the plinth has a screwed metal panel allowing access during installation and maintenance to plinth concrete basement fixings and access to routed cables to the cabinet.



19" IP65 Outdoor Cabinet

Width: 600 mm
Depth: 650 mm

Construction Drawings



NO	DEFINITION	QTY	ZN	AISI 430	AISI 304	AISI 316L	t:mm
			MATERIAL ZN 275 gr/m ²	Material AISI 430 Grade Stainless steel	Material AISI 304 Grade Stainless steel	Material AISI 316L Grade Stainless steel	THICKNESS (mm)
1	FRONT DOOR EXTERNAL SKIN	1	DX51 D + Z275gr/m ²	AISI 430 Grade Stainless Steel	AISI 304 Grade Stainless Steel	AISI 316L Grade Stainless Steel	2
2	LOCKING SYSTEM 3 POINT WK2 Antivandalism Certified *** 9U height has single point lock.	1	ABS Fixing Points-Galvanized Mild Steel Locking Rods	ABS Fixing Points-Galvanized Mild Steel Locking Rods	ABS Fixing Points-Galvanized Mild Steel Locking Rods	ABS Fixing Points-Galvanized Mild Steel Locking Rods	-
3	FRONT DOOR INNER SKIN	1	DX51 D + Z275gr/m ²	AISI 430 Grade Stainless Steel	AISI 304 Grade Stainless Steel	AISI 316L Grade Stainless Steel	1
4	INTERNAL COVER / DOOR	1	DX51 D + Z275gr/m ²	AISI 430 Grade Stainless Steel	AISI 304 Grade Stainless Steel	AISI 316L Grade Stainless Steel	1,5
5	SIDE INNER SKIN	2	DX51 D + Z275gr/m ²	AISI 430 Grade Stainless Steel	AISI 304 Grade Stainless Steel	AISI 316L Grade Stainless Steel	1
6	VENTILATION CHANNEL	2	DX51 D + Z275gr/m ²	AISI 430 Grade Stainless Steel	AISI 304 Grade Stainless Steel	AISI 316L Grade Stainless Steel	1
7	MOUNTING RAILS 19"	4	DC01-6112 Zinc Plated	AISI 430 Grade Stainless Steel	AISI 304 Grade Stainless Steel	AISI 316L Grade Stainless Steel	1,5
8	MAIN BODY WELDED	1	DX51 D + Z275gr/m ²	AISI 430 Grade Stainless Steel	AISI 304 Grade Stainless Steel	AISI 316L Grade Stainless Steel	2
9	PLINTH H200 mm	1	DX51 D + Z275gr/m ²	AISI 430 Grade Stainless Steel	AISI 304 Grade Stainless Steel	AISI 316L Grade Stainless Steel	2
10	PLINTH ACCESS WINDOW	1	DX51 D + Z275gr/m ²	AISI 430 Grade Stainless Steel	AISI 304 Grade Stainless Steel	AISI 316L Grade Stainless Steel	1,5
11	FAN UNIT HOUSING	1	DC01-6112 Standard Painted	DC01-6112 Standard Painted	DC01-6112 Standard Painted	DC01-6112 Standard Painted	1
12	ROOF CANOPY- 2 INCLINED INNER FIXING SCREWS- 2 HINGES and CANOPY STOPPER MECHANISM	1	DX51 D + Z275gr/m ²	AISI 430 Grade Stainless Steel	AISI 304 Grade Stainless Steel	AISI 316L Grade Stainless Steel	1,5
13	*REAR MOUNTING PLATE with DIN RAIL	1	DX51 D + Z275gr/m ²	AISI 430 Grade Stainless Steel	AISI 304 Grade Stainless Steel	AISI 316L Grade Stainless Steel	1,5
14	** REAR INNER SKIN	1	DX51 D + Z275gr/m ²	AISI 430 Grade Stainless Steel	AISI 304 Grade Stainless Steel	AISI 316L Grade Stainless Steel	1
15	GLAND PLATE WITH PG GLANDS	1	DX51 D + Z275gr/m ²	AISI 430 Grade Stainless Steel	AISI 304 Grade Stainless Steel	AISI 316L Grade Stainless Steel	1,5
	GLAND PLATE PLAIN	1					

* The cabinet has a mounting plate equipped with a factory installed DIN rail, position of DIN rail can be changed.

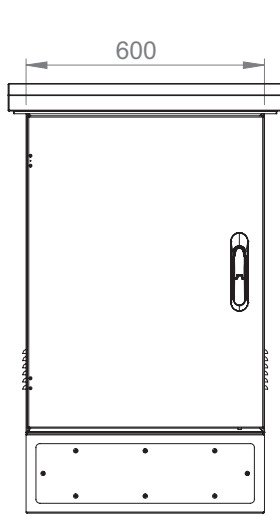
The mounting plate can be installed outside and finally can be mounted on the cabinet after testings are completed, this would be ease your installation works.

** The cabinet has also a rear inner skin which can be used as a mounting plate, incase you will install the componets on the mounting plate inside rack, that moment you can use our inner skin as a mounting plate. This would give extra 20 mm depth clearance inside cabinet for you.

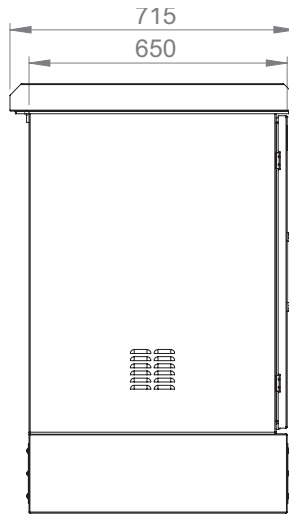
19" IP65 Outdoor Cabinet

Width: 600 mm
Depth: 650 mm

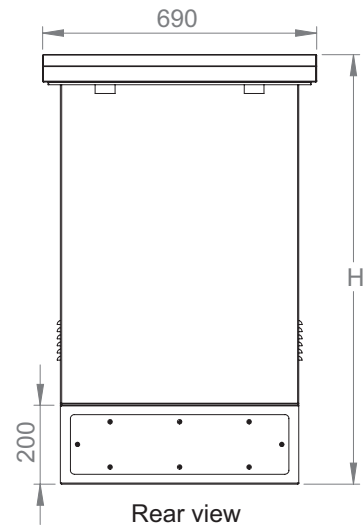
Construction Drawings



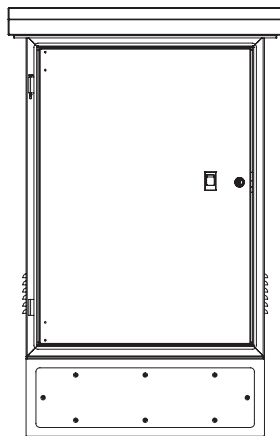
Front view



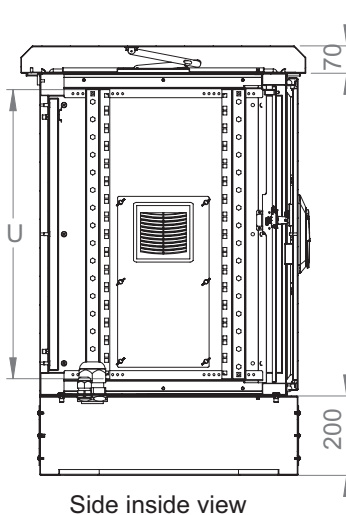
Side view



Rear view

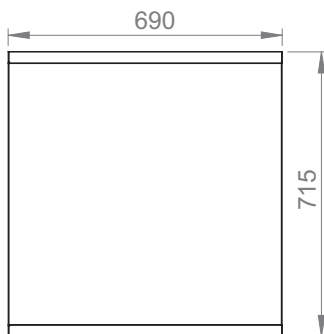


Front inside view

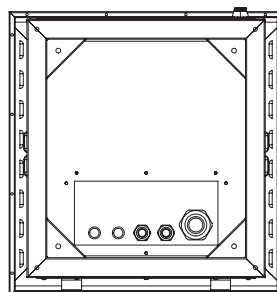


Side inside view

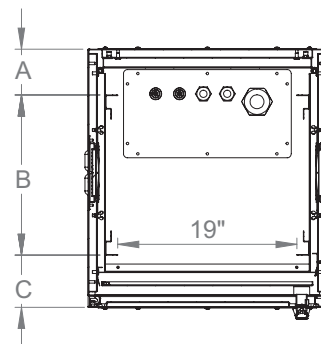
U	H
9U	769 mm
12U	902 mm
16U	1080 mm
20U	1258 mm
22U	1302 mm
24U	1434 mm
26U	1524 mm



Top view



Bottom view



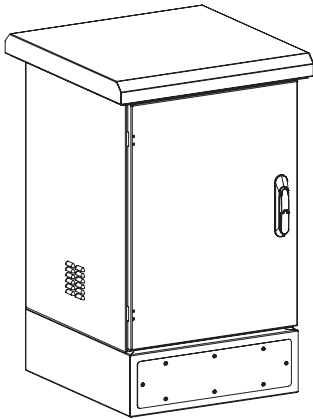
Top inside view

	Min	Max
A	20 mm	145 mm
B	240 mm	490 mm
C	40 mm	165 mm

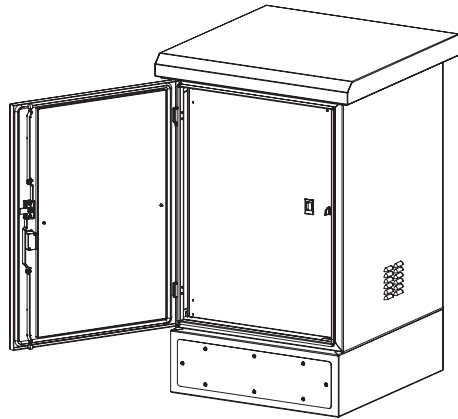
19" IP65 Outdoor Cabinet

Width: 600 mm
Depth: 650 mm

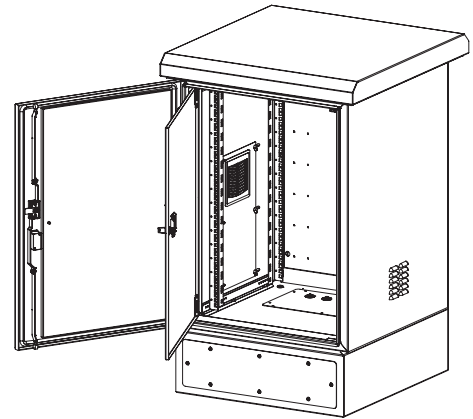
Additional Conceptual Isometric Views



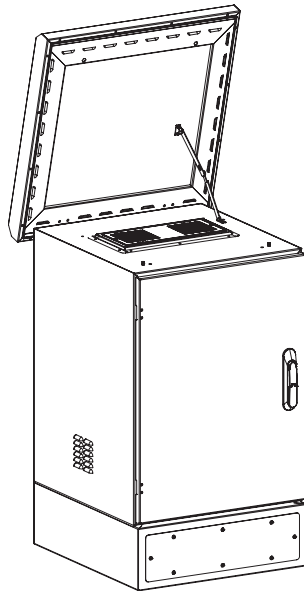
Front door closed isometric view



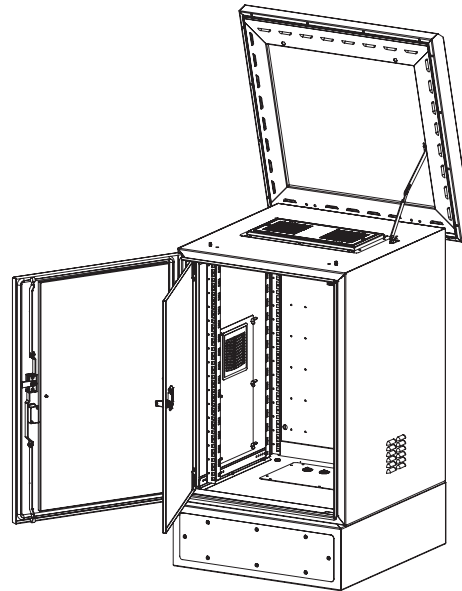
Front door open inner door is closed isometric view



Front door open inner door is open isometric view



Stopper integrated hinged roof canopy detail



Stopper integrated hinged roof canopy detail front doors are open

19" IP65 Outdoor Cabinet W=600 mm D=650 mm

Product Number	U Height	H (mm) Cabinet (Included 200 mm Plinth Height)	Width (mm)	Depth (mm)
LN-OD-09U6065-LG-MTRL	9U	769	600	650
LN-OD-12U6065-LG-MTRL	12U	902	600	650
LN-OD-16U6065-LG-MTRL	16U	1080	600	650
LN-OD-20U6065-LG-MTRL	20U	1258	600	650
LN-OD-22U6065-LG-MTRL	22U	1302	600	650
LN-OD-24U6065-LG-MTRL	24U	1434	600	650
LN-OD-26U6065-LG-MTRL	26U	1524	600	650

MTRL is material selection code which customers to indicate while ordering

MTRL: Replace code with Z275 for DX51 D + 275gr/m² hot dip galvanized zinc coating. (No corrosion warranty.)

MTRL: Replace code with A430 for AISI 430 grade stainless steel. (Limited corrosion warranty up to 2-3 years.)

MTRL: Replace code with A304 for AISI 304 grade stainless steel. (Limited corrosion warranty up to 3-5 years.)

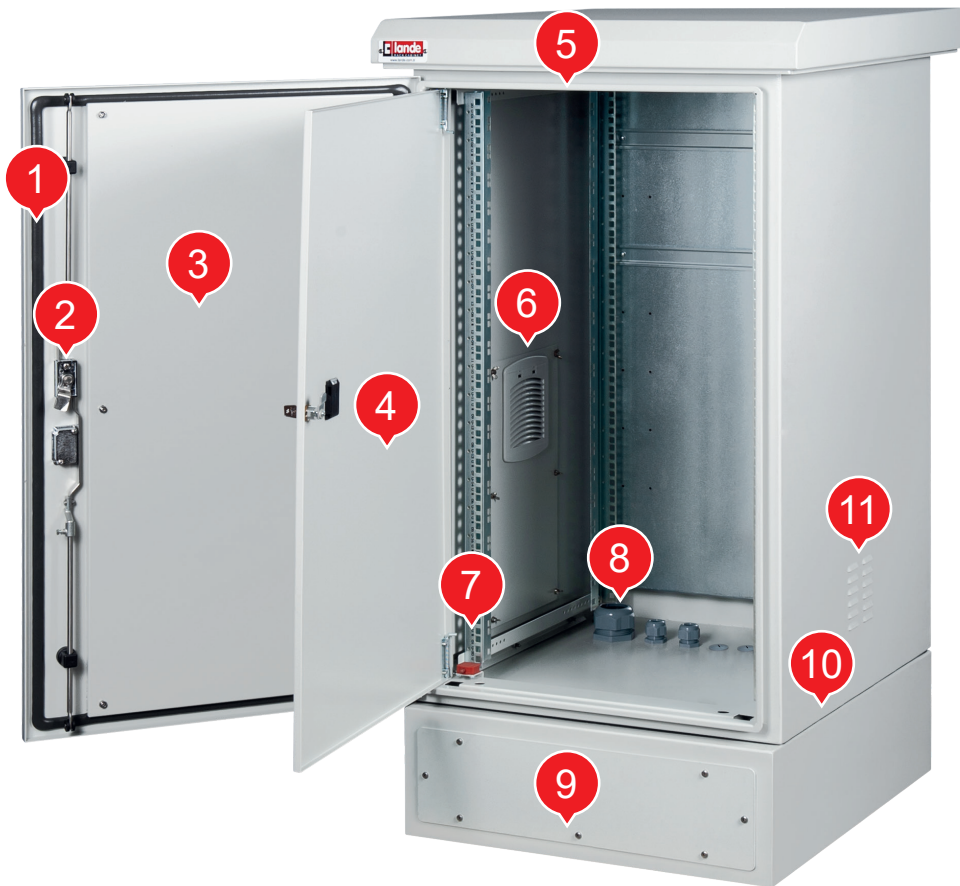
MTRL: Replace code with A316 for AISI 316L grade stainless steel. (Corrosion warranty up to 5-10 years.)

LG: Standard Color is RAL 7035 Light Grey which is registered in the part number as LG, if Signal White RAL 9003 is required which has a better performance against UV impact Insulpaint and Antigrafiti option as a Polyurethane finish replace the LG with SW.

19" IP65 Outdoor Cabinet

Width: 600 mm
Depth: 650 mm

Project Design Product Portfolio



Special Features

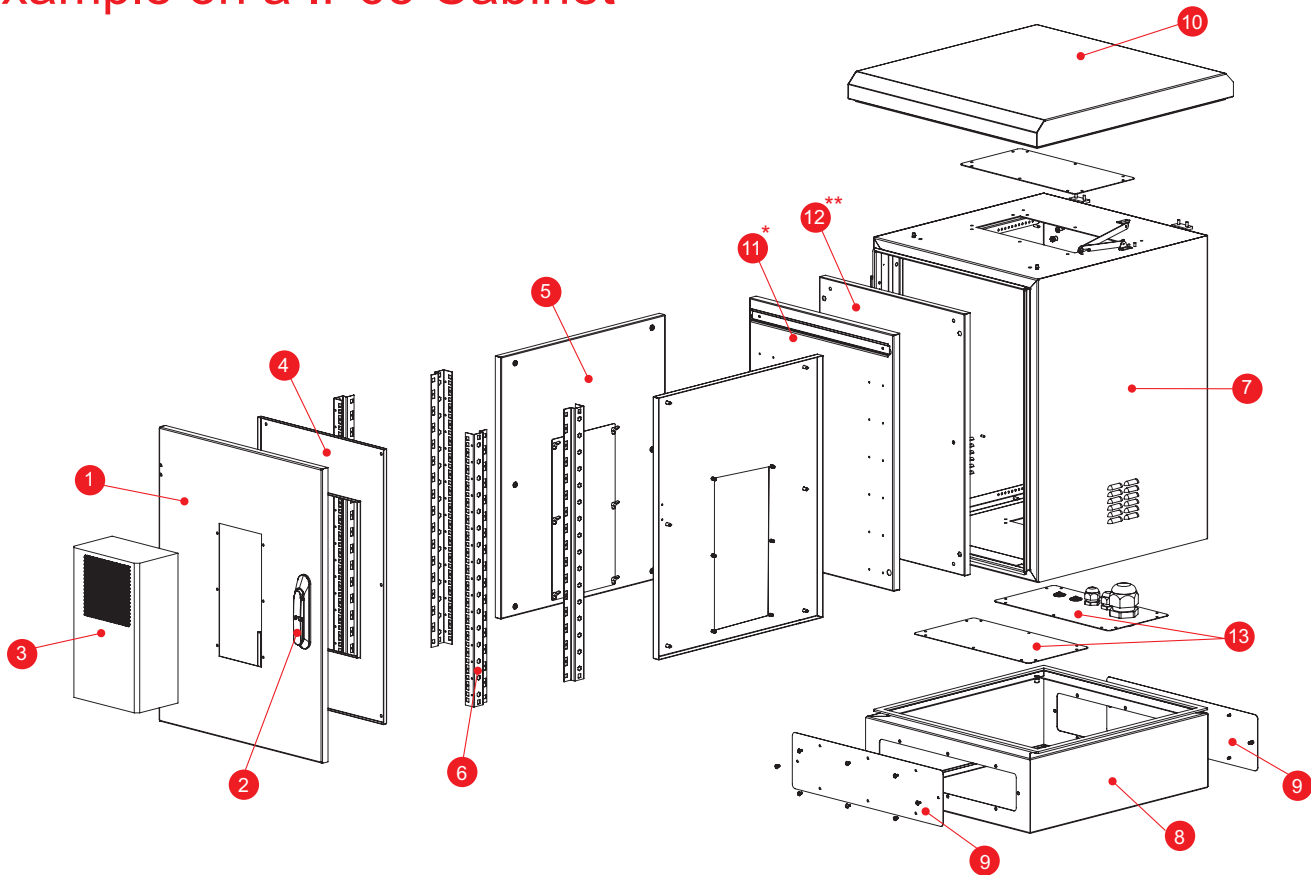
1	Polyurethane infused sealing/gasketing system provides EN 60529 IP65 protection covers indicatively Nema 250 classifications 3, 3S, 4, 4X, 5, 12, 12K, 13
2	Three point locking system rods supporting IP protection class Anti-vandalism tested according to DIN V ENV 1630. WK2 Anti-vandalism tested lock handle DIN V ENV 1630 burglar resistance. Test methods for the determination of resistance to manual burglary attempts. *** 9U height has single point lock.
3/4	Internal layer t:1,00 mm thickness and Inner cover/door t:1,5 mm thickness material varies as per your MTRL selection. Inner cover/door protects the enclosure from wind effects and prevents against dust and provided additional protection if the main door is not locked properly. It has "O" type barrel locking.
5	Open/close function canopy H 70 mm, hiding and securing fan module, helping EN 60529 IP protection, allowing heat dissipation from exhausted hot air through fan kit, hinged, site implementation friendly. This housing may be closed with dummy plate once an air conditioner or heat exchanger unit is integrated on front door. It has integrated hidden hinged mechanism under the roof canopy for maintenance and service period the canopy can stay open during wind effect.
6	Air intake kit, filtered, filter replacement possible with wing nuts toolless operation. Once an air conditioner or heat exchanger is integrated these fresh air inlet panels are sealed with metallic dummy panels.
7	Clear U marked, 19" vertical mounting rails, 4 pcs, DC01, 6112, electro galvanize coating.
8	Cable entry gland plate, with PVC or brass cable entry pats, PG sizes, multiple capacity per usage field, customized in standard 1pcs PG32, 4 pcs PG16 cable entry pats.
9	H200 mm plinth for concrete assembly for cable management screwed opening placement in front section.
10	Monoblock welded body for stability and mechanical resistance and special flange system for water and dust ingress designed to form together with polyurethane gasketing system allows EN 60529 IP65 protection.
11	Ventilation louvers for fresh air intake on outer panels and filtered air entry on inner panels are at different height elevation to provide protection against flood or splashing water.

*** Between outer and inner skins there is 10 mm insulation material which protects against the sun radiation impact and thermal effects coming from ambient conditions especially in hot climate countries. EN 12667 at 40 Celsius $\lambda:0,038W/m.K$ heat transmission co-efficient / E classification for fire EN 13501-1 and water emission level WS01 EN 1609. The lowest heat transmission co-efficient as $\lambda: 0,018W/m.K$ (15 mm thickness) special insulation can be provided project case application with mutual acceptance by customers.

19" IP65 Outdoor Cabinet

Width: 600 mm
Depth: 650 mm

Air Condition / Heat Exchanger Integration Example on a IP65 Cabinet



NO	DEFINITION	QTY	ZN	AISI 430	AISI 304	AISI 316L	t:mm
			MATERIAL ZN 275 gr/m ²	Material AISI 430 Grade Stainless steel	Material AISI 304 Grade Stainless steel	Material AISI 316L Grade Stainless steel	THICKNESS (mm)
1	FRONT DOOR EXTERNAL SKIN	1	DX51 D + Z275gr/m ²	AISI 430 Grade Stainless Steel	AISI 304 Grade Stainless Steel	AISI 316L Grade Stainless Steel	2
2	LOCKING SYSTEM 3 POINT WK2 Antivandalism Certified *** 9U height has single point lock.	1	ABS Fixing Points-Galvanized Mild Steel Locking Rods	ABS Fixing Points-Galvanized Mild Steel Locking Rods	ABS Fixing Points-Galvanized Mild Steel Locking Rods	ABS Fixing Points-Galvanized Mild Steel Locking Rods	-
3	AIR CONDITIONER	1	DX51 D + Z275gr/m ²	DX51 D + Z275gr/m ²	DX51 D + Z275gr/m ²	DX51 D + Z275gr/m ²	1
4	FRONT DOOR INNER SKIN	1	DX51 D + Z275gr/m ²	AISI 430 Grade Stainless Steel	AISI 304 Grade Stainless Steel	AISI 316L Grade Stainless Steel	1
5	SIDE INNER SKIN	2	DX51 D + Z275gr/m ²	AISI 430 Grade Stainless Steel	AISI 304 Grade Stainless Steel	AISI 316L Grade Stainless Steel	1
6	MOUNTING RAILS 19"	4	DC01-6112 Zinc Plated	AISI 430 Grade Stainless Steel	AISI 304 Grade Stainless Steel	AISI 316L Grade Stainless Steel	1,5
7	MAIN BODY WELDED	1	DX51 D + Z275gr/m ²	AISI 430 Grade Stainless Steel	AISI 304 Grade Stainless Steel	AISI 316L Grade Stainless Steel	2
8	PLINTH H200 mm	1	DX51 D + Z275gr/m ²	AISI 430 Grade Stainless Steel	AISI 304 Grade Stainless Steel	AISI 316L Grade Stainless Steel	2
9	PLINTH ACCESS WINDOW	1	DX51 D + Z275gr/m ²	AISI 430 Grade Stainless Steel	AISI 304 Grade Stainless Steel	AISI 316L Grade Stainless Steel	1,5
10	ROOF CANOPY- 2 INCLINED INNER FIXING SCREWS- 2 HINGES and CANOPY STOPPER MECHANISM	1	DX51 D + Z275gr/m ²	AISI 430 Grade Stainless Steel	AISI 304 Grade Stainless Steel	AISI 316L Grade Stainless Steel	1,5
11	*REAR MOUNTING PLATE with DIN RAIL	1	DX51 D + Z275gr/m ²	AISI 430 Grade Stainless Steel	AISI 304 Grade Stainless Steel	AISI 316L Grade Stainless Steel	1,5
12	**REAR INNER SKIN	1	DX51 D + Z275gr/m ²	AISI 430 Grade Stainless Steel	AISI 304 Grade Stainless Steel	AISI 316L Grade Stainless Steel	1
13	GLAND PLATE WITH PG GLANDS	1	DX51 D + Z275gr/m ²	AISI 430 Grade Stainless Steel	AISI 304 Grade Stainless Steel	AISI 316L Grade Stainless Steel	1,5
	GLAND PLATE PLAIN	1					

* The cabinet has a mounting plate equipped with a factory installed DIN rail, position of DIN rail can be changed.

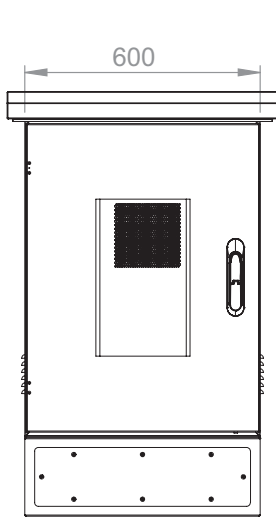
The mounting plate can be installed outside and finally can be mounted on the cabinet after testings are completed, this would be ease your installation works.

** The cabinet has also a rear inner skin which can be used as a mounting plate, incase you will install the componets on the mounting plate inside rack, that moment you can use our inner skin as a mounting plate. This would give extra 20 mm depth clearance inside cabinet for you.

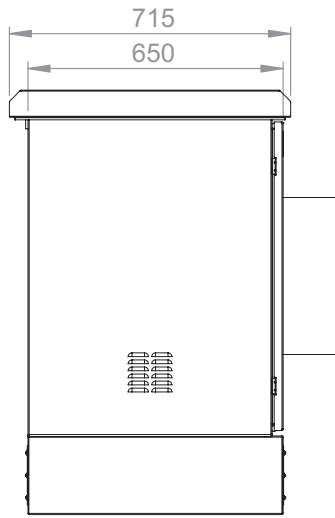
19" IP65 Outdoor Cabinet

Width: 600 mm
Depth: 650 mm

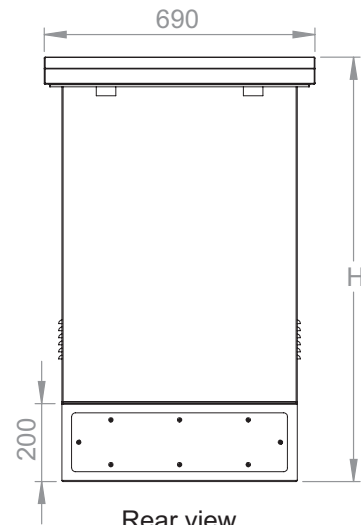
Air Condition / Heat Exchanger Integration
Example on a IP65 Cabinet



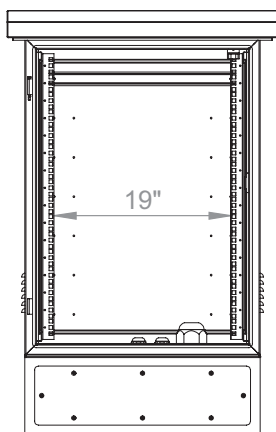
Front view



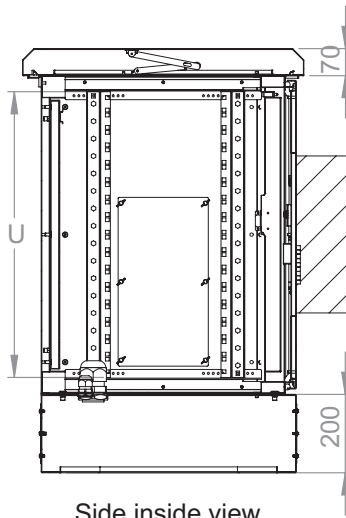
Side view



Rear view

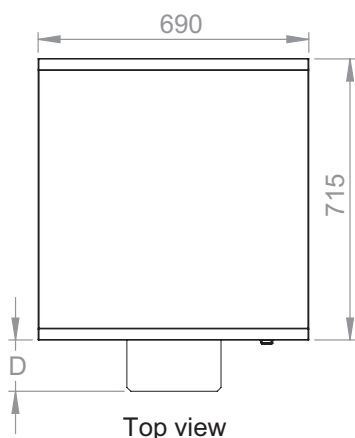


Front inside view

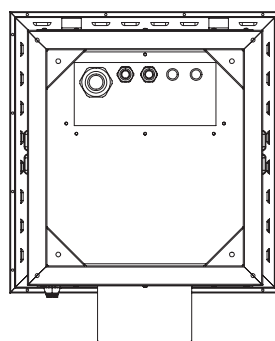


Side inside view

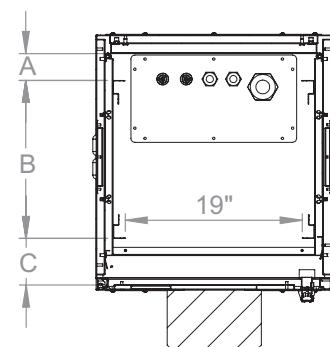
U	H
9U	769 mm
12U	902 mm
16U	1080 mm
20U	1258 mm
22U	1302 mm
24U	1434 mm
26U	1524 mm



Top view



Bottom view



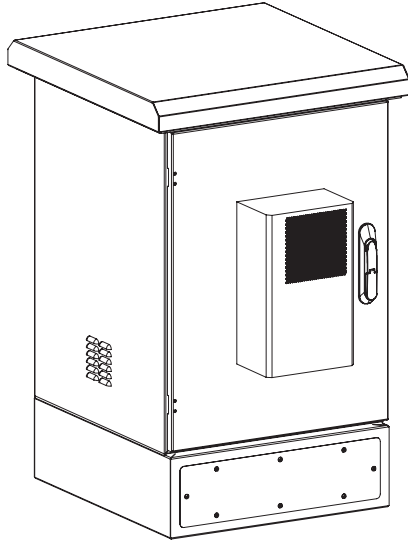
Top inside view

	Min	Max
A	20 mm	205 mm
B	240 mm	490 mm
C	80 mm	145 mm

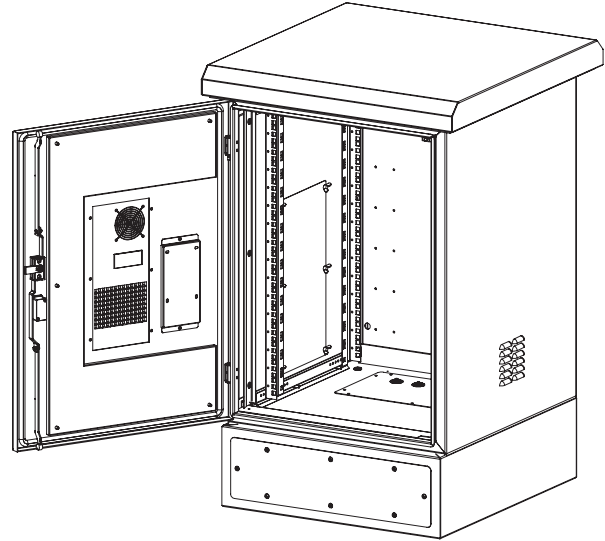
19" IP65 Outdoor Cabinet

Width: 600 mm
Depth: 650 mm

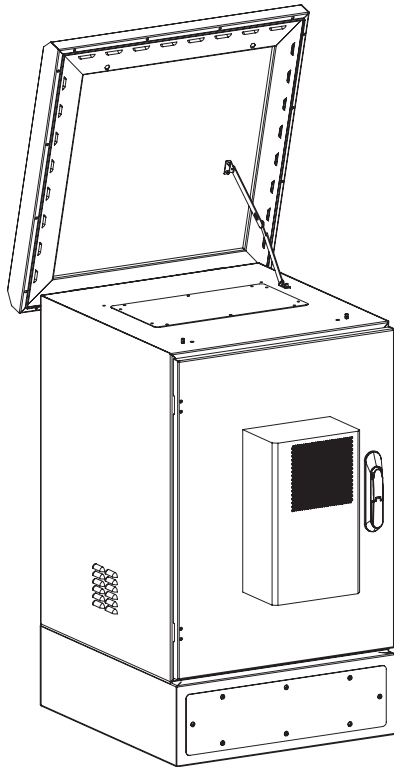
Air Condition / Heat Exchanger Integration
Example on a IP65 Cabinet



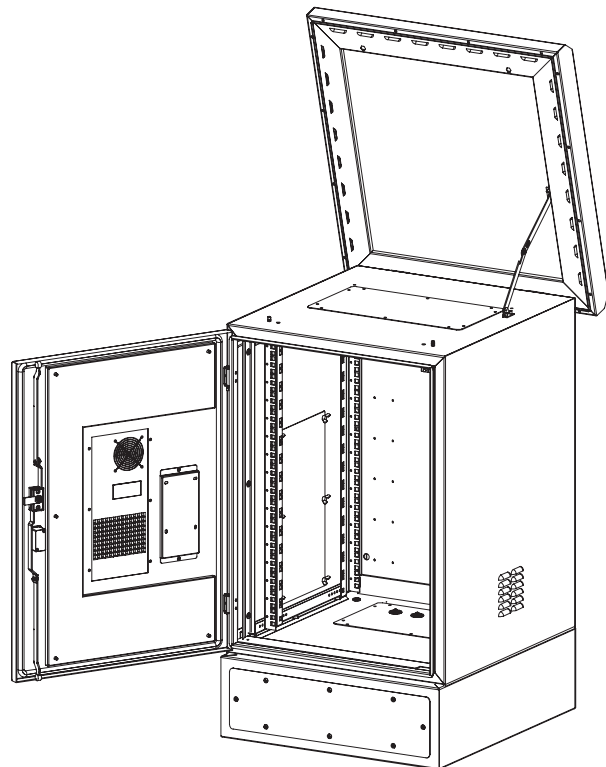
Front door closed
isometric view



Front door open
isometric view



Integrated hinged roof
canopy detail



Integrated hinged roof canopy detail
front doors are open

19" IP65 Outdoor Cabinet

Width: 600 mm
Depth: 800 mm

Load Capacity: 500 kgs.

**U Height: 9U, 12U, 16U, 20U,
22U, 24U, 26U**

Standards and Compliances:



ISO 9001
Quality Management System

EN 61587-1
Mechanical Structures for
Electronic Equipment

EN IEC 297-1, 19" Mounting
EN IEC 297-2 Overall Cabinet
Dimensions

EN/IEC 60529- IP65 Ingress Protection
performance

EN/IEC 62262- IK10 Mechanical Impact
Resistance

EIA/ ECA-310 (D/E) 19" 482,6 mm
and U 44,45 mm Height Sizing



CE conform to
EN 60950-1
Information Technology
Equipment, Safety,
Part-1: General Requirement

EN IEC 62368-1 Audio/Video, Information
and Communication Technology
Equipment
Part 1: Safety requirements



UL listed to
UL 2416, Outline of Investigation for
Audio/Video, Information and
Communication Technology Equipment
Cabinet, Enclosure and Rack
Systems; UL 60950-1 and CSA C22.2
NO. 60950-1-07, Information Technology
Equipment Safety
Part 1: General Requirements



Environment Friendly;
ISO 14001 Environmental
Management System
RoHS compliancy
%100 Recyclable Material



ISO 45001
The Occupational Health and Safety
Management System

Standard Color:



RAL 7035 Light Grey

Optional Color:



RAL 9003 Signal White
Antigrafitti and Insulpaint



19" IP65 Outdoor Cabinet

Width: 600 mm
Depth: 800 mm

Construction details:

Front Side has inner door, which is lockable provides additional security and additional protection especially against dust entry if main door is not locked.

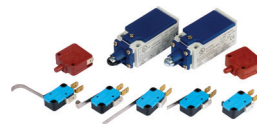
The cabinet can be equipped with mechanical or magnet door sensors upon request.

The inner skin has wingnut installed (can be opened by hand, no tools required) ventilation channel and replaceable filter location.

Bottom case has multiple access with 2xPG21, 1xPG48 integrated cable entry pats, 2 pcs 28 mm diameter PVC Blind cap. Which all of are as option can be replaced with PG21 cable entry pats. After insertion of the cables to the enclosure, recommended to close the openings with foam or isolation material. In addition all IP65 cabinets are delivered with a plain metal cable entry panel means if shipping configuration cable entry pats are not suitable for your project any punching can be done on the spare cable entry plain panel.

The cabinet is equipped with inclined canopy roof, remove 4 (2 front and 2 rear) screws to open the canopy. The Canopy is gasketed for EN 60529 protection purposes for the fan module, allowing fans to discharge the hot air from enclosure via hidden ventilation louvers while still providing EN 60529 IP65 protection to the enclosure front and rear side of the plinth has a screwed metal panel allowing access for installation and maintenance to plinth concrete basement fixings and as well to the routed cables to the cabinet.

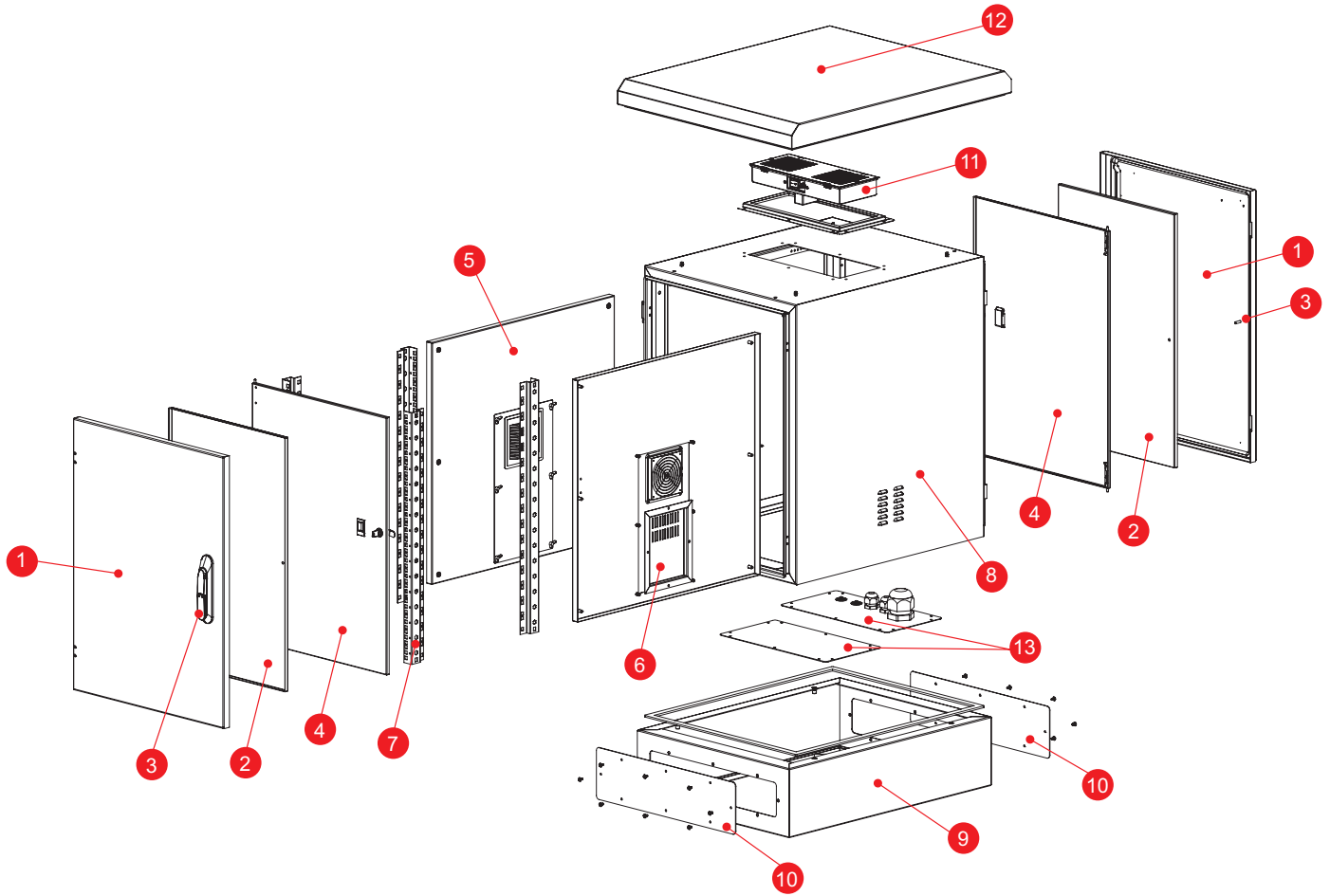
The 600x800 mm enclosure has a hinged and locking system integrated rear door.



19" IP65 Outdoor Cabinet

Width: 600 mm
Depth: 800 mm

Construction Drawings

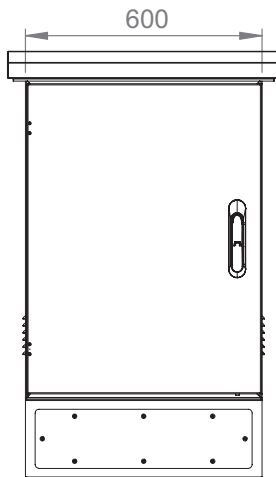


NO	DEFINITION	QTY	ZN	AISI 430	AISI 304	AISI 316L	t:mm
			MATERIAL ZN 275 gr/m ²	Material AISI 430 Grade Stainless steel	Material AISI 304 Grade Stainless steel	Material AISI 316L Grade Stainless steel	THICKNESS (mm)
1	FRONT & REAR DOOR EXTERNAL SKIN	2	DX51 D + Z275gr/m ²	AISI 430 Grade Stainless Steel	AISI 304 Grade Stainless Steel	AISI 316L Grade Stainless Steel	2
2	FRONT & REAR DOOR INNER SKIN	2	DX51 D + Z275gr/m ²	AISI 430 Grade Stainless Steel	AISI 304 Grade Stainless Steel	AISI 316L Grade Stainless Steel	2
3	LOCKING SYSTEM 3 POINT WK2 Antivandalism Certified *** 9U height has single point lock.	2	ABS Fixing Points- Galvanized Mild Steel Locking Rods	ABS Fixing Points- Galvanized Mild Steel Locking Rods	ABS Fixing Points- Galvanized Mild Steel Locking Rods	ABS Fixing Points- Galvanized Mild Steel Locking Rods	-
4	FRONT & REAR INTERNAL COVER DOOR	2	DX51 D + Z275gr/m ²	AISI 430 Grade Stainless Steel	AISI 304 Grade Stainless Steel	AISI 316L Grade Stainless Steel	1,5
5	SIDE INNER SKIN	2	DX51 D + Z275gr/m ²	AISI 430 Grade Stainless Steel	AISI 304 Grade Stainless Steel	AISI 316L Grade Stainless Steel	1
6	VENTILATION CHANNEL	2	DX51 D + Z275gr/m ²	AISI 430 Grade Stainless Steel	AISI 304 Grade Stainless Steel	AISI 316L Grade Stainless Steel	1
7	MOUNTING RAILS 19"	4	DC01-6112 Zinc Plated	AISI 430 Grade Stainless Steel	AISI 304 Grade Stainless Steel	AISI 316L Grade Stainless Steel	1,5
8	MAIN BODY WELDED	1	DX51 D + Z275gr/m ²	AISI 430 Grade Stainless Steel	AISI 304 Grade Stainless Steel	AISI 316L Grade Stainless Steel	2
9	PLINTH H200 mm	1	DX51 D + Z275gr/m ²	AISI 430 Grade Stainless Steel	AISI 304 Grade Stainless Steel	AISI 316L Grade Stainless Steel	2
10	PLINTH ACCESS WINDOW	1	DX51 D + Z275gr/m ²	AISI 430 Grade Stainless Steel	AISI 304 Grade Stainless Steel	AISI 316L Grade Stainless Steel	1,5
11	FAN UNIT HOUSING	1	DC01-6112 standard Painted	DC01-6112 standard Painted	DC01-6112 standard Painted	DC01-6112 standard Painted	1
12	ROOF CANOPY- 4 INCLINED INNER FIXING SCREWS- NO HINGE / NO CANOPY STOPPER INTEGRATED	1	DX51 D + Z275gr/m ²	AISI 430 Grade Stainless Steel	AISI 304 Grade Stainless Steel	AISI 316L Grade Stainless Steel	1,5
13	GLAND PLATE WITH PG GLANDS	1	DX51 D + Z275gr/m ²	AISI 430 Grade Stainless Steel	AISI 304 Grade Stainless Steel	AISI 316L Grade Stainless Steel	1,5
	GLAND PLATE PLAIN	1					

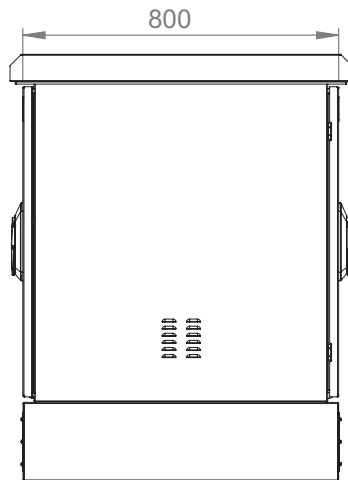
19" IP65 Outdoor Cabinet

Width: 600 mm
Depth: 800 mm

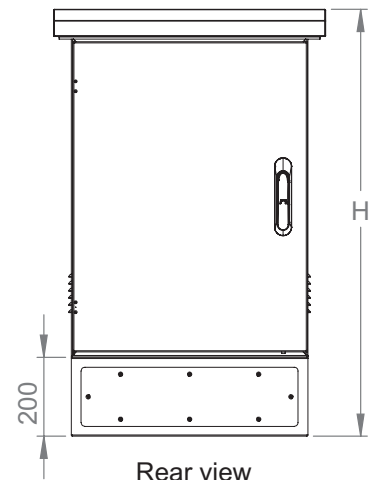
Construction Drawings



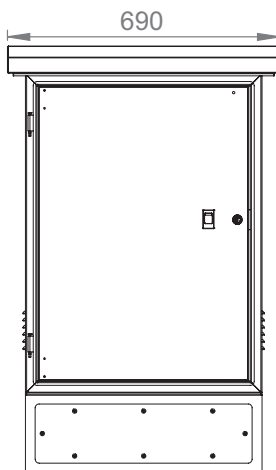
Front view



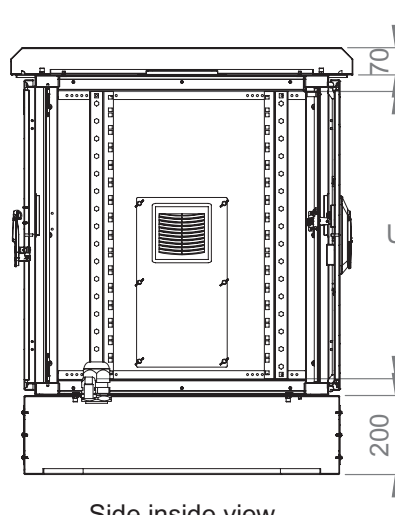
Side view



Rear view

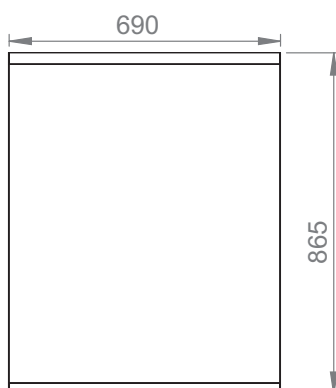


Front inside view

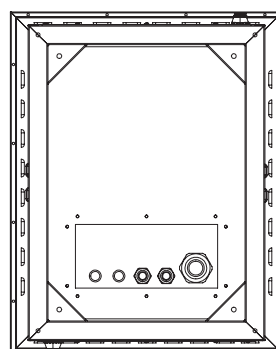


Side inside view

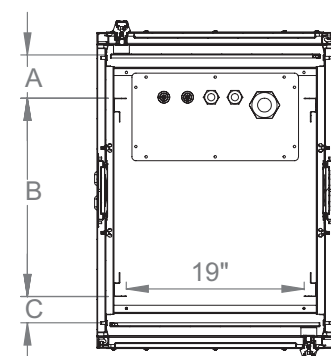
U	H
9U	769 mm
12U	902 mm
16U	1080 mm
20U	1258 mm
22U	1302 mm
24U	1434 mm
26U	1524 mm



Top view



Bottom view



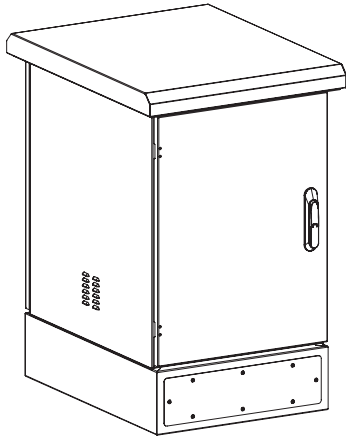
Top inside view

	Min	Max
A	35 mm	160 mm
B	370 mm	620 mm
C	35 mm	160 mm

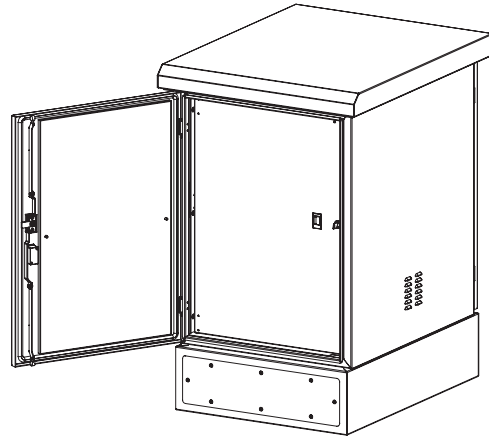
19" IP65 Outdoor Cabinet

Width: 600 mm
Depth: 800 mm

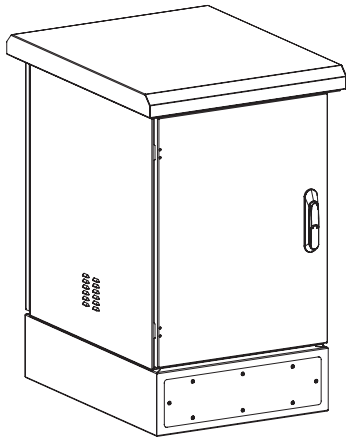
Additional Conceptual Isometric Views



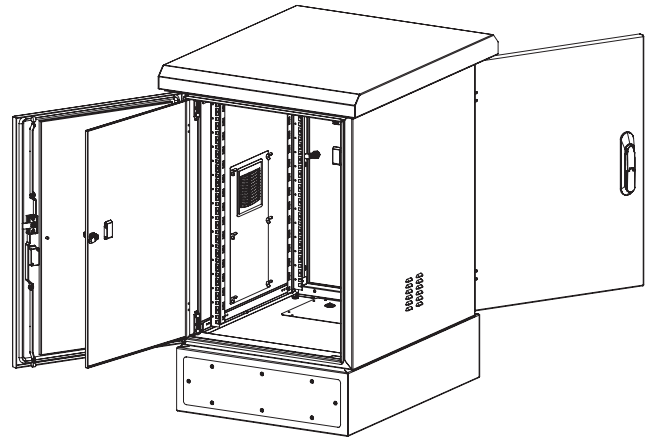
Front door closed
isometric view



Front door open inner door
is closed isometric view



Rear door closed
isometric view



Front door open inner door open,
rear door open isometric view

19" IP65 Outdoor Cabinet W=600 mm D=800 mm

Product Number	U Height	H (mm) Cabinet (Included 200 mm Plinth Height)	Width (mm)	Depth (mm)
LN-OD-09U6080-LG-MTRL	9U	769	600	800
LN-OD-12U6080-LG-MTRL	12U	902	600	800
LN-OD-16U6080-LG-MTRL	16U	1080	600	800
LN-OD-20U6080-LG-MTRL	20U	1258	600	800
LN-OD-22U6080-LG-MTRL	22U	1302	600	800
LN-OD-24U6080-LG-MTRL	24U	1434	600	800
LN-OD-26U6080-LG-MTRL	26U	1524	600	800

MTRL is material selection code which customers to indicate while ordering

MTRL: Replace code with Z275 for DX51 D + 275gr/m² hot dip galvanized zinc coating. (No corrosion warranty.)

MTRL: Replace code with A430 for AISI 430 grade stainless steel. (Limited corrosion warranty up to 2-3 years.)

MTRL: Replace code with A304 for AISI 304 grade stainless steel. (Limited corrosion warranty up to 3-5 years.)

MTRL: Replace code with A316 for AISI 316L grade stainless steel. (Corrosion warranty up to 5-10 years.)

LG: Standard Color is RAL 7035 Light Grey which is registered in the part number as LG, if Signal White RAL 9003 is required which has a better performance against UV impact Insulpaint and Antigrafiti option as a Polyurethane finish replace the LG with SW.

19" IP65 Outdoor Cabinet

Width: 600 mm
Depth: 800 mm

Project Design Product Portfolio



Special Features

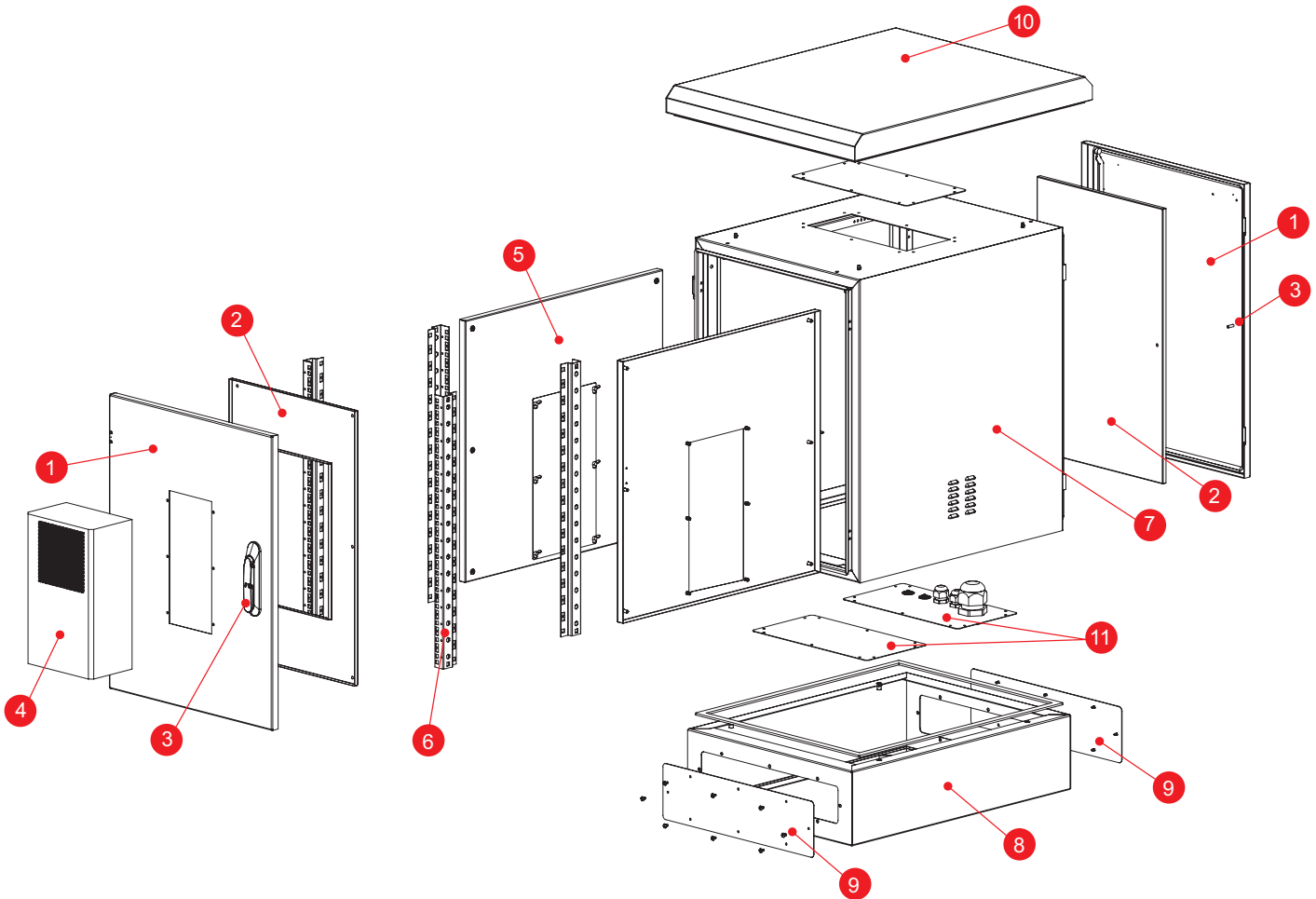
1	Polyurethane infused sealing/gasketing system provides EN 60529 IP65 protection covers indicatively Nema-250 classifications 3, 3S, 4, 4X, 5, 12, 12K, 13
2	Three point locking system rods supporting IP protection class Anti-vandalism tested according to DIN V ENV 1630. WK2 Anti-vandalism tested lock handle DIN V ENV 1630 burglar resistance. Test methods for the determination of resistance to manual burglary attempts on both front and rear door. *** 9U height has single point lock
3/4	Internal layer t:1,00 mm thickness and inner cover/door t:1,5mm thickness, material varies as per your MTRL selection, inner cover/door protects the enclosure from wind effects and prevents dust and provides additional protection if the main door is not locked. It has "O" type barrel locking.
5	Open/close function canopy H 70 mm, hiding and securing fan module, helping EN 60529 IP protection, allowing heat dissipation from exhausted hot air through fan kit, hinged, site implementation friendly. This housing may be closed with dummy plate if an air conditioner or heat exchanger unit is integrated on front door. It has inclined hidden 4 screws accessible from inside of cabinet the roof canopy can be fully removed for maintenance and service.
6	Air intake kit, filtered, filter replacement possible with wing nuts toolless operation. Once an air conditioner or heat exchanger is integrated these fresh air inlet panels can be closed with metallic dummy panels.
7	Clear U marked, 19" vertical mounting rails, 4 pcs, DC01, 6112, electro galvanize coating.
8	Cable entry gland plate, with PVC or brass cable entry pats, PG sizes, multiple capacity per usage field, customized in standard 1pcs PG32, 4pcs PG16 cable entry pats.
9	H200 mm plinth for concrete assembly, for cable management screwed opening placement in front section.
10	Monoblock welded body for stability and mechanical resistance and special flange system for water and dust ingress, designed to form together with polyurethane gasketing system allows EN 60529 IP65 protection.
11	Ventilation louvers for fresh air intake on outer panels and filtered air entry on inner panels are at different height elevation to provide protection against flood or splashing water.

*** Between outer and inner skins there is 10 mm insulation material which protects against the sun radiation impact and thermal effects coming from ambient conditions especially in hot climate countries. EN 12667 at 40 Celsius $\lambda:0,038W/m.K$ heat transmission co-efficient / E classification for fire EN 13501-1 and water emission level WS01 EN 1609. The lowest heat transmission co-efficient as $\lambda: 0,018W/m.K$ (15 mm thickness) special insulation can be provided project case application with mutual acceptance by customers.

19" IP65 Outdoor Cabinet

Width: 600 mm
Depth: 800 mm

Air Condition / Heat Exchanger Integration
Example on a IP65 Cabinet

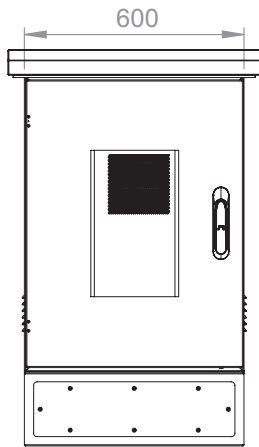


NO	DEFINITION	QTY	ZN	AISI 430	AISI 304	AISI 316L	t:mm
			MATERIAL ZN 275 gr/m ²	Material AISI 430 Grade Stainless steel	Material AISI 304 Grade Stainless steel	Material AISI 316L Grade Stainless steel	THICKNESS (mm)
1	FRONT & REAR DOOR EXTERNAL SKIN	2	DX51 D + Z275gr/m ²	AISI 430 Grade Stainless Steel	AISI 304 Grade Stainless Steel	AISI 316L Grade Stainless Steel	2
2	FRONT & REAR DOOR INNER SKIN	2	DX51 D + Z275gr/m ²	AISI 430 Grade Stainless Steel	AISI 304 Grade Stainless Steel	AISI 316L Grade Stainless Steel	2
3	LOCKING SYSTEM 3 POINT WK2 Antivandalism Certified *** 9U height has single point lock.	2	ABS Fixing Points- Galvanized Mild Steel Locking Rods	ABS Fixing Points- Galvanized Mild Steel Locking Rods	ABS Fixing Points- Galvanized Mild Steel Locking Rods	ABS Fixing Points- Galvanized Mild Steel Locking Rods	-
4	AIR CONDITIONER	1	DX51 D + Z275gr/m ²	DX51 D + Z275gr/m ²	DX51 D + Z275gr/m ²	DX51 D + Z275gr/m ²	1
5	SIDE INNER SKIN	2	DX51 D + Z275gr/m ²	AISI 430 Grade Stainless Steel	AISI 304 Grade Stainless Steel	AISI 316L Grade Stainless Steel	1
6	MOUNTING RAILS 19"	4	DC01-6112 Zinc Plated	AISI 430 Grade Stainless Steel	AISI 304 Grade Stainless Steel	AISI 316L Grade Stainless Steel	1,5
7	MAIN BODY WELDED	1	DX51 D + Z275gr/m ²	AISI 430 Grade Stainless Steel	AISI 304 Grade Stainless Steel	AISI 316L Grade Stainless Steel	2
8	PLINTH H200 mm	1	DX51 D + Z275gr/m ²	AISI 430 Grade Stainless Steel	AISI 304 Grade Stainless Steel	AISI 316L Grade Stainless Steel	2
9	PLINTH ACCESS WINDOW	1	DX51 D + Z275gr/m ²	AISI 430 Grade Stainless Steel	AISI 304 Grade Stainless Steel	AISI 316L Grade Stainless Steel	1,5
10	ROOF CANOPY- 4 INCLINED INNER FIXING SCREWS- NO HINGE / NO CANOPY STOPPER INTEGRATED	1	DX51 D + Z275gr/m ²	AISI 430 Grade Stainless Steel	AISI 304 Grade Stainless Steel	AISI 316L Grade Stainless Steel	1,5
11	GLAND PLATE WITH PG GLANDS	1	DX51 D + Z275gr/m ²	AISI 430 Grade Stainless Steel	AISI 304 Grade Stainless Steel	AISI 316L Grade Stainless Steel	1,5
	GLAND PLATE PLAIN	1					

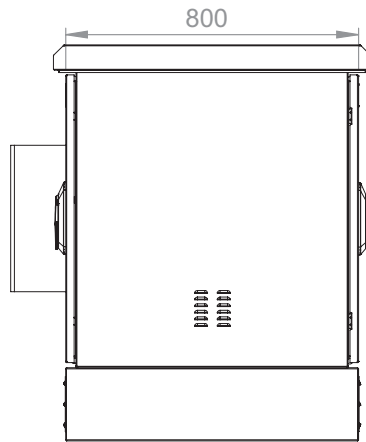
19" IP65 Outdoor Cabinet

Width: 600 mm
Depth: 800 mm

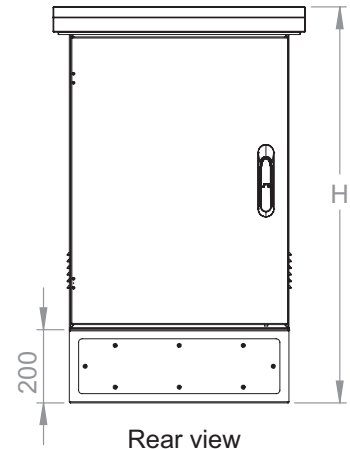
Air Condition / Heat Exchanger Integration
Example on a IP65 Cabinet



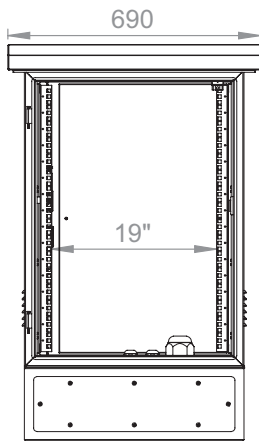
Front view



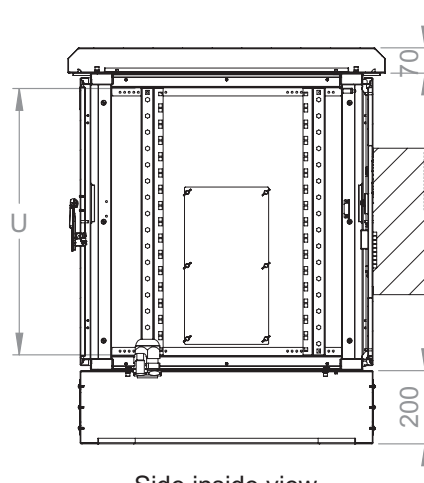
Side view



Rear view

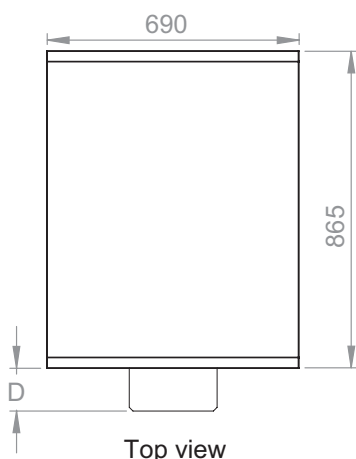


Front inside view

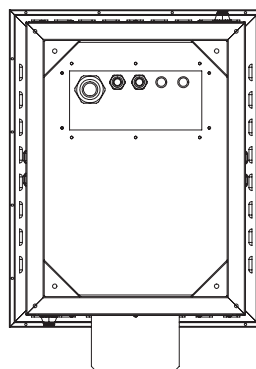


Side inside view

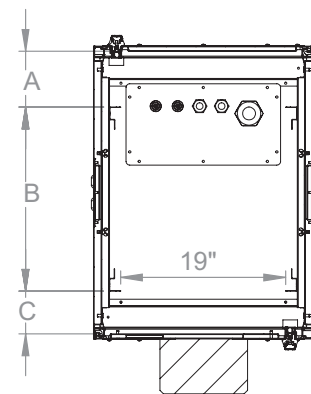
U	H
9U	769 mm
12U	902 mm
16U	1080 mm
20U	1258 mm
22U	1302 mm
24U	1434 mm
26U	1524 mm



Top view



Bottom view



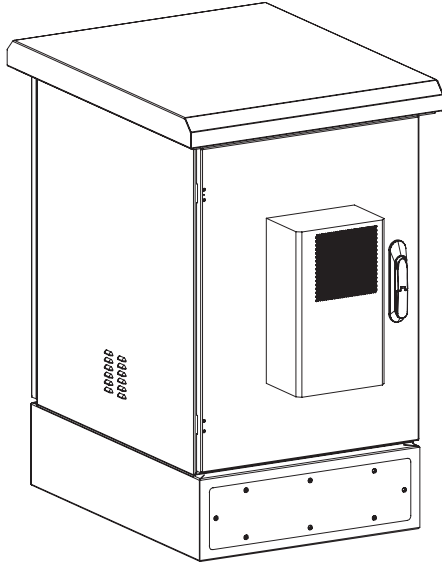
Top inside view

	Min	Max
A	80 mm	205 mm
B	370 mm	620 mm
C	80 mm	205 mm

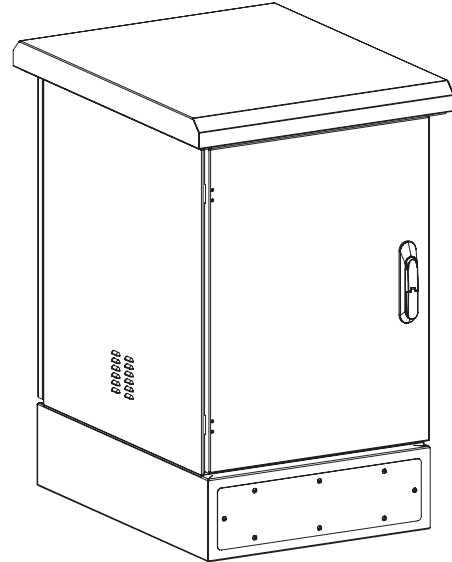
19" IP65 Outdoor Cabinet

Width: 600 mm
Depth: 800 mm

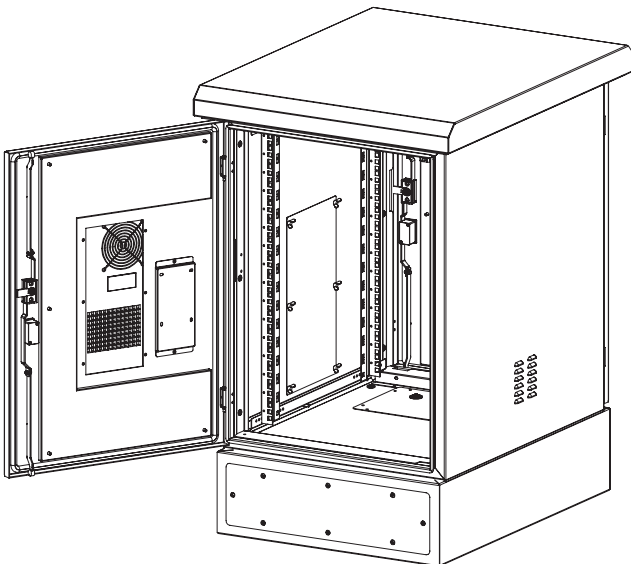
Air Condition / Heat Exchanger Integration
Example on a IP65 Cabinet



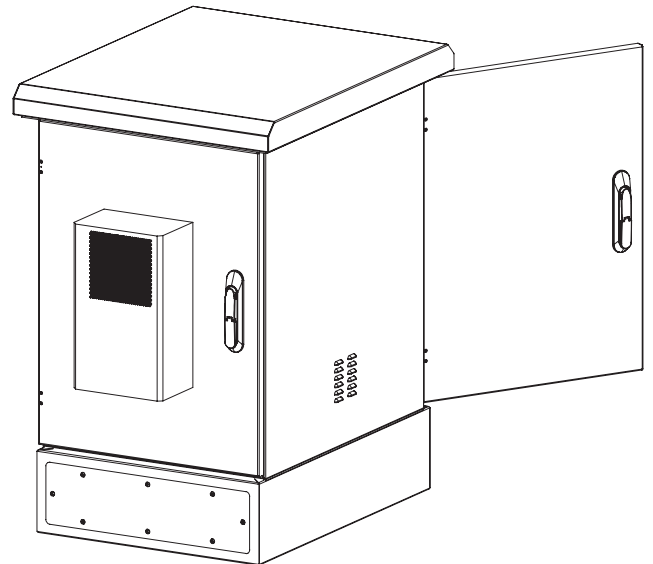
Front door closed
isometric view



Rear door closed
isometric view



Front door open
isometric view



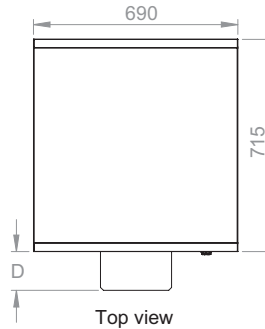
Rear door open
isometric view

19" IP65 Outdoor Cabinet

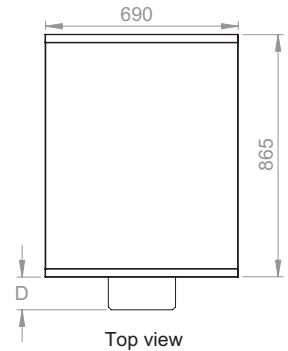
Accessories



IP65 Outdoor 600x650 mm
Air Conditioned



IP65 Outdoor 600x800 mm
Air Conditioned



LANDE Air Conditioner & Heat Exchanger Technical Specifications

Product Name	Cooling Capacity	Lande Code	Industrial	Width	Height	Depth	Product Compatibility	Compatibility to the Side of the Cabinet h(air)
DC Air Conditioner 48VDC	300W	LN-ZB-003-000-010	EM-450-1	240	400	150	from 9U to 26U	from 9U to 26U
	500W	LN-ZB-005-000-021	EM-450-4	352	583	175	16U to 26U	from 16U to 26U
	600W	LN-ZB-006-000-020	EM-450-5	352	583	175	16U to 26U	from 16U to 26U
	800W	LN-ZB-008-000-022	EM-450-6	352	583	175	16U to 26U	from 16U to 26U
	1000W	LN-ZB-010-000-030	EM-450-7	432	844	175	20U to 26U	from 20U to 26U
	1500W	LN-ZB-015-000-041	EM-450-8	470	1170	175	26U	26U
	2000W	LN-ZB-020-000-040	EM-450-9	470	1170	175	26U	26U
AC Air Conditioner 220/230 VAC	500W	LN-YB-005-000-012	EM-503-1	352	583	175	16U to 26U	from 16U to 26U
	600W	LN-YB-006-000-010	EM-503-2	352	583	175	16U to 26U	from 16U to 26U
	1000W	LN-YB-010-000-020	EM-503-3	482	782	200	20U to 26U	from 20U to 26U
	1500W	LN-YB-015-000-031	EM-503-4	482	782	200	20U to 26U	from 20U to 26U
	2000W	LN-YB-020-000-030	EM-503-5	482	782	200	20U to 26U	from 20U to 26U
Heat Exchanger 48VDC	50W/K	LN-ZA-050-000-010	EM-423-4	372	650	200	16U to 26U	from 16U to 26U
	80W/K	LN-ZA-080-000-020	EM-423-6	440	940	155	22U to 26U	from 22U to 26U
	120W/K	LN-ZA-120-000-030	EM-423-7	452	1030	200	24U to 26U	from 24U to 26U
	150W/K	LN-ZA-150-000-041	EM-423-8	561	1300	240	incompatible	incompatible
	180W/K	LN-ZA-180-000-040	EM-423-9	561	1300	251	incompatible	incompatible

19" IP65 Outdoor Cabinet

Thermoelectric Coolers - Peltier Device

LN-3030, LN-3050, LN-3102, LN-6105



External or recessed mounting

- Cooling capacities: 30 W, 50 W and 100 W
- AC and DC models available
- Suitable for Indoor and Outdoor applications
- Can be mounted in any position*
- NEMA 4X rated
- Ingress protection rating of IP 66
- Virtually maintenance free

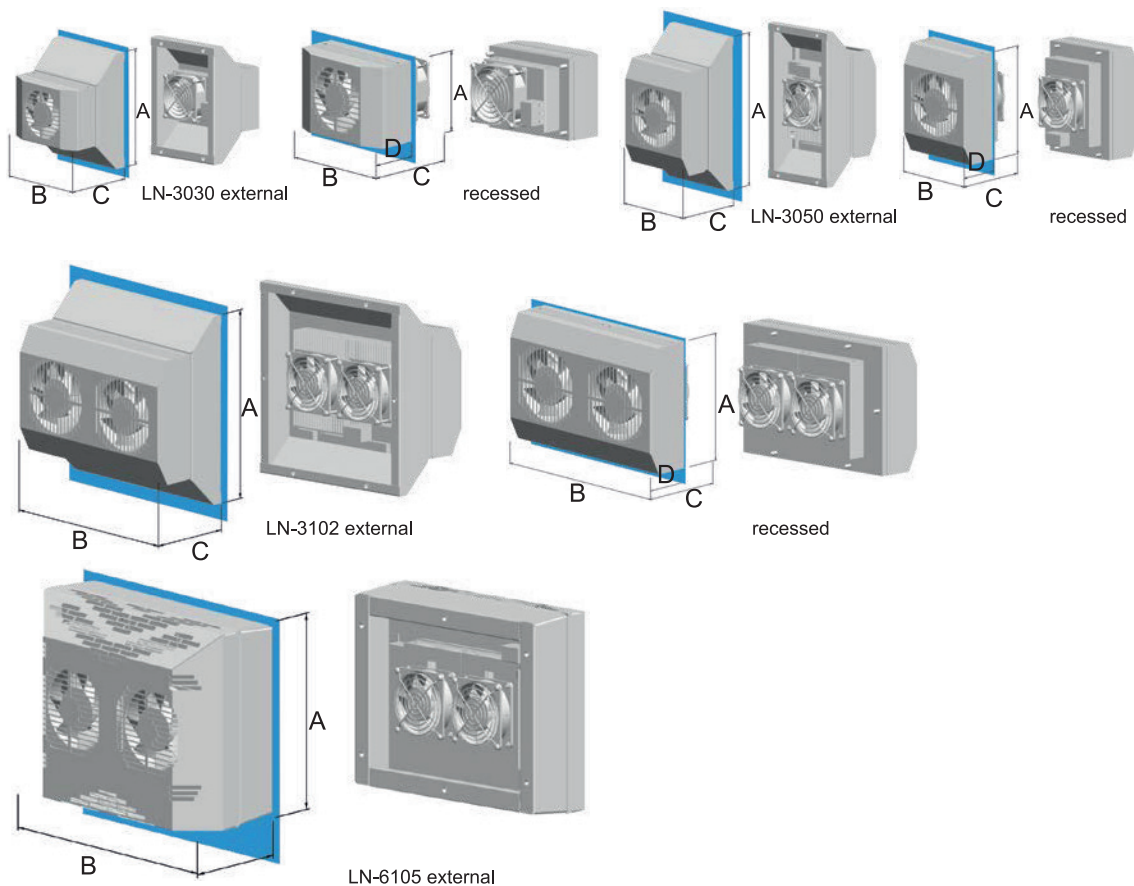
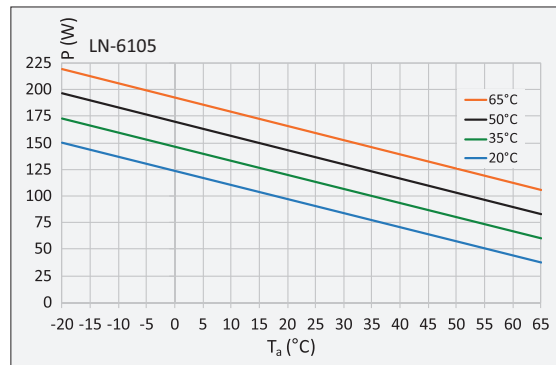
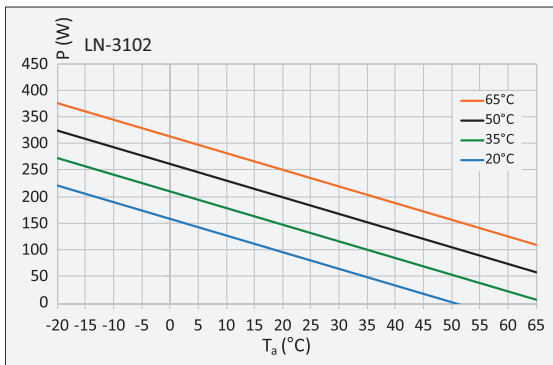
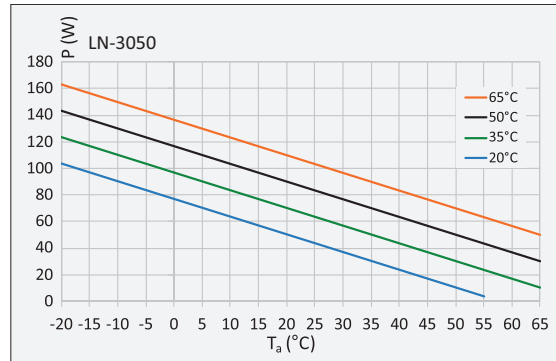
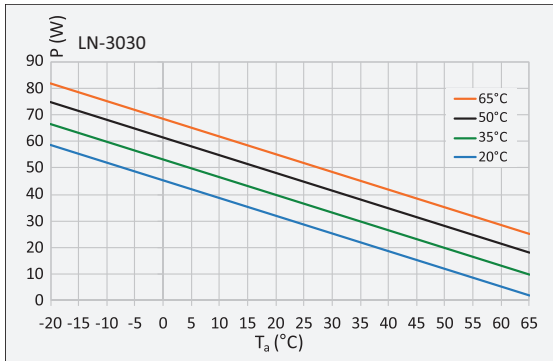
LN-3030, LN-3050, LN-3102, LN-6105					
Type	LN-3030	LN-3050	LN-3102	LN-6105	
Order number recessed	LN-3030-3	LN-3050-3	LN-3102-3	LN-6105-3	
Order number with frame	LN-3030-5	LN-3050-5	LN-3102-5	LN-6105-5	
Cooling capacity L35L35	30 W	50 W	100 W		
Operating temperature range	-20°C - +65°C				
Setting range	n. a.			+20°C - +50°C (cooling)	
Ambient / cabinet air flow	39 / 20 m³/h	64 / 23 m³/h	128 / 46 m³/h		
Mounting	recessed / external (with frame)				
Dimensions A x B x C (D) recessed	110 x 154 x 128 (65) mm	206 x 154 x 135 (75) mm	200 x 304 x 138 (73.9) mm	280 X 350 x 140 (85.5) mm	
Dimensions A x B x C with frame	212 x 158 x 131 mm	302 x 158 x 137 mm	302 x 306 x 140 mm	280 x 350 x 148 mm	
Housing material	Stainless steel 304 (V2A)				
Weight (recessed / with frame)	1.8 / 2.6 kg	3.3 kg / 3.9 kg	5.9 kg / 7.4 kg	9.4 kg / 11 kg	
ELECTRICAL DATA					
Voltage / Frequency	12 V DC	24 V DC	24 V DC	120 - 230 V AC ~ 50/60 Hz	
Current L35L35	2.8 A	2.4 A	4.8 A	1.1 A @ 120 V	0.5 A @ 230 V
Starting current	4.3 A	3.7 A	7.4 A	1.6 A @ 120 V	0.8 A @ 230 V
Max. current	2.9 A	2.5 A	4.9 A	1.1 A @ 120 V	0.6 A @ 230 V
Nominal power L35L35	34 W	57.6 W	115 W	126 W	
Max. power	35 W	60 W	118 W	131 W	
Fuse rating	5 A (T)	4 A (T)	8 A (T)	2 A (T)	1 A (T)
Connection	Connection terminal block				
Ingress IP protection	IP 66				
Certification	CE, RoHS	CE, RoHS, cURus			CE, RoHS

* Depending on the mounting situation the condensation management may need to be considered and possibly adjusted.

19" IP65 Outdoor Cabinet

Thermoelectric Coolers - Peltier Device

LN-3030, LN-3050, LN-3102, LN-6105 - Performance Graphs



19" IP65 Outdoor Cabinet

Thermoelectric Coolers - Peltier Device

LN-3152, LN-3200, LN-6155, LN-6205



External or recessed mounting

- Cooling capacities: 150 W, 200 W and 250 W
- AC and DC models available
- Suitable for Indoor and Outdoor applications
- Can be mounted in any position*
- NEMA 4X rated
- Ingress protection rating of IP 66
- Virtually maintenance free

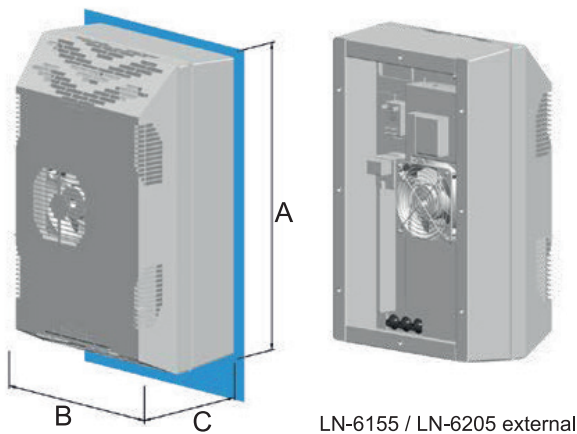
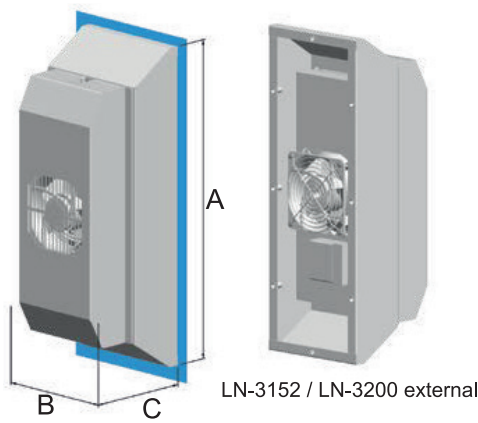
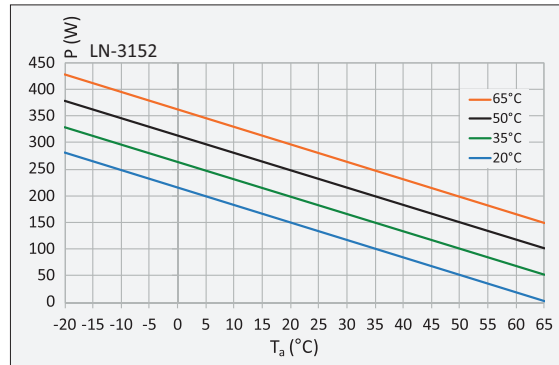
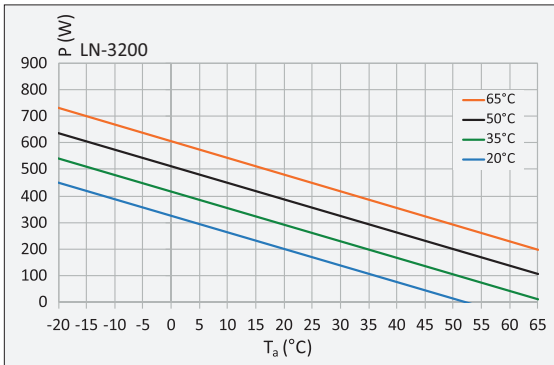
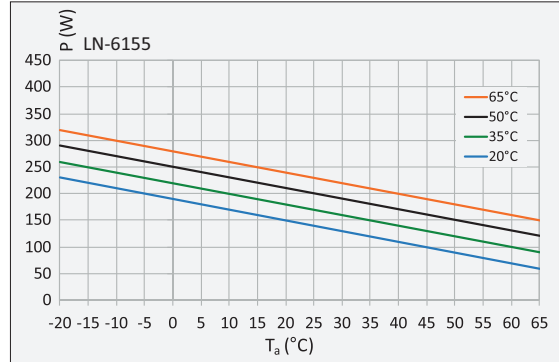
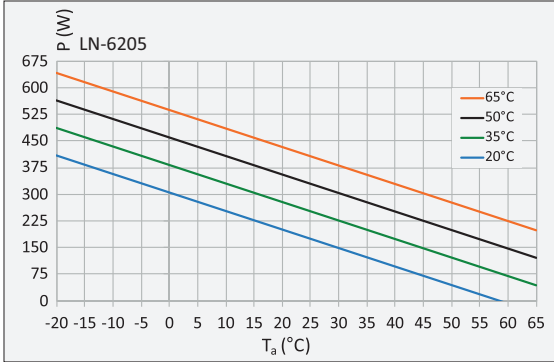
LN-3152, LN-3200, LN-6155, LN-6205							
Type	LN-3152	LN-3200	LN-3200	LN-6155	LN-6205		
Order number recessed	LN-3152-3	LN-3200-3	LN-3200-3	LN-6155-3	LN-6205-3		
Order number with frame	LN-3152-5	LN-3200-5	LN-3200-5	LN-6155-5	LN-6205-5		
Cooling capacity L35L35	150 W	200 W	250 W	150 W	200 W		
Operating temperature range	-20°C - +65°C						
Setting range	n. a.			+20°C - +50°C (cooling)			
Ambient / cabinet air flow	120 / 60 m³/h	120 / 120 m³/h		120 / 60 m³/h	120 / 120 m³/h		
Mounting	recessed / external (with frame)						
Dimensions A x B x C (D) recessed	400 x 180 x 171 (81) mm			500 x 300 x 194 (107.5) mm			
Dimensions A x B x C with frame	500 x 188 x 174 mm			500 x 300 x 200 mm			
Housing material	Stainless steel 304 (V2A)						
Weight (recessed / with frame)	9 kg / 12.7 kg	10 kg / 13.7 kg	10 kg / 13.7 kg	16.2 / 19 kg	17.2 / 20 kg		
ELECTRICAL DATA							
Voltage / Frequency	24 V DC	24 V DC	48 V DC	120 - 230 V AC ~ 50/60 Hz			
Current L35L35	7 A	10.8 A	8.5 A	1.4 A @ 120 V	0.7 A @ 230 V	1.9 A @ 120 V	1.0 A @ 230 V
Starting current	11 A	17 A	14 A	2.1 A @ 120 V	1.1 A @ 230 V	2.9 A @ 120 V	1.5 A @ 230 V
Max. current	7.5 A	11.6 A	9.3 A	1.5 A @ 120 V	0.8 A @ 230 V	2.0 A @ 120 V	1.0 A @ 230 V
Nominal power L35L35	170 W	260 W	400 W	170 W		230 W	
Max. power	180 W	280 W	440 W	180 W		240 W	
Fuse rating	10 A (T)	16 A (T)	13 A (T)	3 A (T)	2 A (T)	3 A (T)	2 A (T)
Connection	Connection terminal block						
Ingress IP protection	IP 66						
Certification	CE, RoHS, cURus			CE, RoHS			

* Depending on the mounting situation the condensation management may need to be considered and possibly adjusted.

19" IP65 Outdoor Cabinet

Thermoelectric Coolers - Peltier Device

LN-3152, LN-3200, LN-6155, LN-6205 - Performance Graphs



19" IP65 Outdoor Cabinet

Thermoelectric Coolers - Peltier Device

LN-6405, LN-6805



External or recessed mounting

- Cooling capacities: 250 W, 400 W and 800 W
- AC and DC models available
- Suitable for Indoor and Outdoor applications
- Can be mounted in any position*
- NEMA 4X rated
- Ingress protection rating of IP 66
- Virtually maintenance free

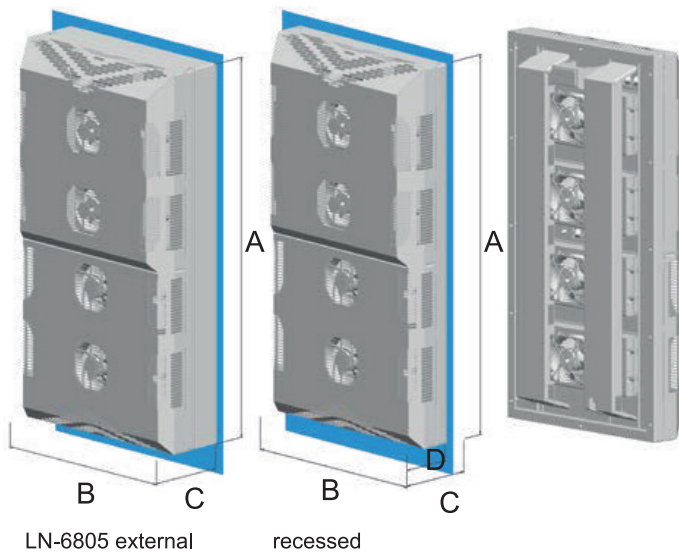
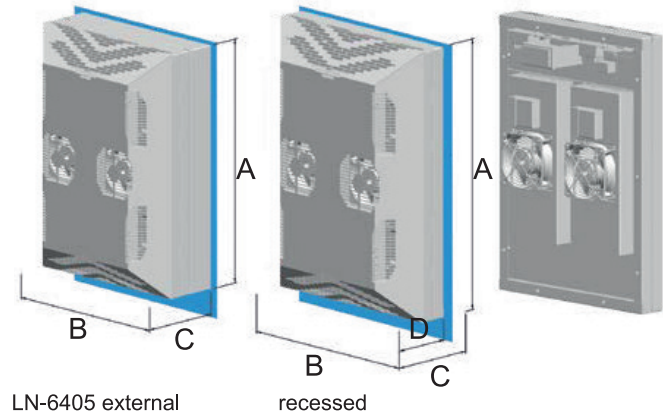
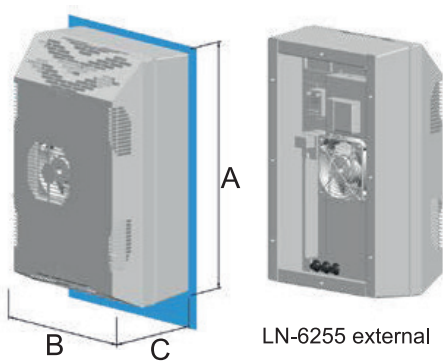
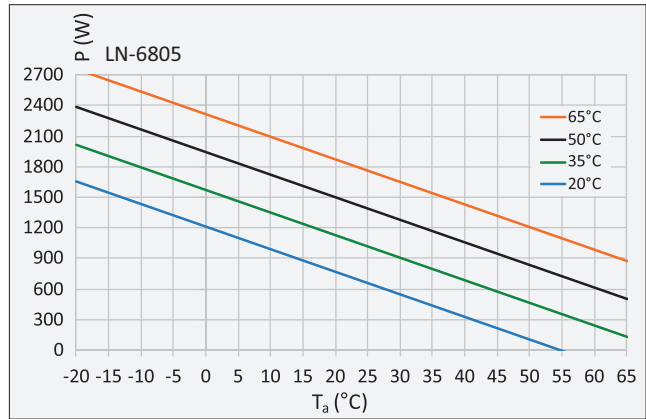
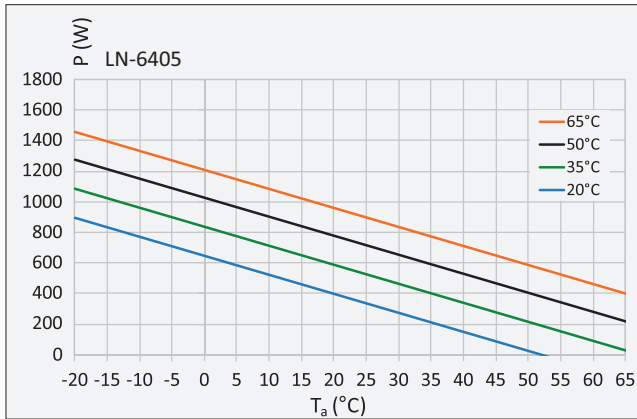
LN-6405, LN-6805				
Type	LN-6405		LN-6805	
Order number recessed	LN-6405-3		LN-6805-3	
Order number with frame	LN-6405-5		LN-6805-5	
Cooling capacity L35L35	400 W		800 W	
Operating temperature range	-20°C - +65°C			
Setting range	+20°C - +50°C (cooling)			
Ambient / cabinet air flow	240 / 240 m³/h		480 / 480 m³/h	
Mounting	recessed / external (with frame)			
Dimensions A x B x C (D) recessed	600 x 432 x 202 (138) mm		972 x 514 x 200 (138) mm	
Dimensions A x B x C with frame	600 x 432 x 208 mm		972 x 514 x 208 mm	
Housing material	Stainless steel 304 (V2A)			
Weight (recessed / with frame)	34 / 37 kg		66 / 70 kg	
ELECTRICAL DATA				
Voltage / Frequency	120 - 230 V AC ~ 50/60 Hz			
Current L35L35	3.9 A @ 120 V	2.0 A @ 230 V	7.7 A @ 120 V	4.0 A @ 230 V
Starting current	5.8 A @ 120 V	3.0 A @ 230 V	11.6 A @ 120 V	6.0 A @ 230 V
Max. current	4.0 A @ 120 V	2.1 A @ 230 V	8.0 A @ 120 V	4.2 A @ 230 V
Nominal power L35L35	460 W		930 W	
Max. power	480 W		960 W	
Fuse rating	6 A (T)	4 A (T)	12 A (T)	7 A (T)
Connection	Connection terminal block			
IP protection to IEC 60 529	IP 66			
Certification	CE, RoHS			

* Depending on the mounting situation the condensation management may need to be considered and possibly adjusted.

19" IP65 Outdoor Cabinet

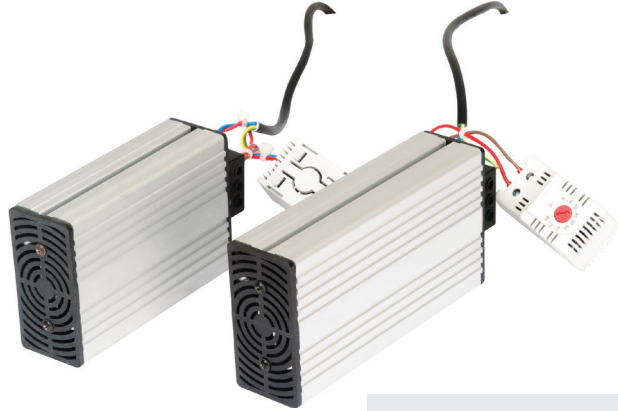
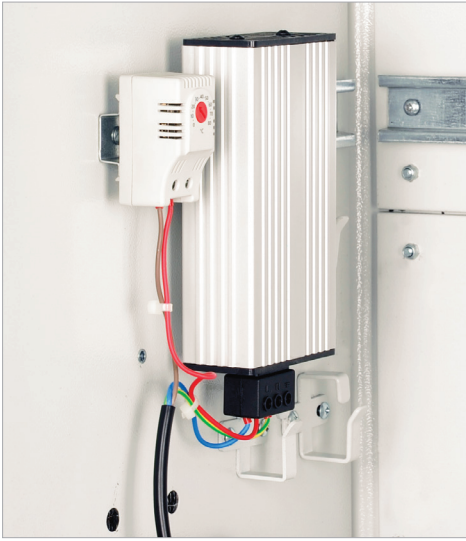
Thermoelectric Coolers - Peltier Device

LN-6405, LN-6805 - Performance Graphs



19" IP65 Outdoor Cabinet

Heaters



50/60Hz, 220V, 35mm DIN Rail type heater, from 30watts to 150watts heating capacity, aluminum heater body, winter thermostat integrated, PowerCable, 1,5-2,5mm² connection terminal entry. Lande offers higher capacity of heaters for different capacity needs with/without fan blowers up to 800watts.

FIELD ENCLOSURE SECURITY HEATERS	Logistics Data							COMPATIBLE WITH	
	Product Dimensions WxDxH mm	Pack Dimensions WxDxH mm	Product Net Weight kgs	Product Gross Weight kgs	QTY in Box pcs	Box Dimensions WxDxH mm	Box Gross Weight kgs	19" IP65 Outdoor Cabinets	
Part Number and Product Description								600x650	600x800
LN-30W 50/60 Hz, 220V, 35 mm DIN Rail type heater, 30W heating capacity, aluminum heater body, winter thermostat integrated, power cable, 1,5-2,5 mm ² connection terminal entry 85°C body heat, H75 mm	110x80x50	385x225x90	0,3	0,5	15	595x510x531	7,5	•	•
LN-50W 50/60 Hz, 220V, 35 mm DIN Rail type heater, 50W heating capacity, aluminum heater body, winter thermostat integrated, power cable, 1,5-2,5 mm ² connection terminal entry 85C body heat, H85 mm	110x80x50	385x225x90	0,3	0,5	15	595x510x530	7,5	•	•
LN-75W 50/60 Hz, 220V, 35 mm DIN Rail type heater, 75W heating capacity, aluminum heater body, winter thermostat integrated, power cable, 1,5-2,5 mm ² connection terminal entry 125°C Body Heat, H105 mm	160x80x50	385x225x90	0,6	0,8	15	595x510x530	12	•	•
LN-100W 50/60 Hz, 220V, 35 mm DIN Rail type heater, 100W heating capacity, aluminum heater body, winter thermostat integrated, power cable, 1,5-2,5 mm ² connection terminal entry 125°C body heat, H120 mm	160x80x50	385x225x90	0,6	0,8	15	595x510x530	12	•	•
LN-125W 50/60 Hz, 220V, 35 mm DIN Rail type heater, 125W heating capacity, aluminum heater body, winter thermostat integrated, power cable, 1,5-2,5 mm ² connection terminal entry 125° C body heat, H150 mm	260x80x50	385x225x90	0,7	0,9	15	595x510x530	13,5	•	•
LN-150W 50/60 Hz, 220V, 35 mm DIN Rail type heater, 150W heating capacity, aluminum heater body, winter thermostat integrated, power cable, 1,5-2,5mm ² connection terminal entry 125° C body heat, H190 mm	260x80x50	385x225x90	0,7	0,9	15	595x510x530	13,5	•	•

19" IP65 Outdoor Cabinet

Hygrostats



Heater units are delivered winter thermostat integrated in standard. But, hygrostat is also advised for IP65 Outdoor cabinets enclosures application that has condensation risk. You can select hygrostat+thermostat in order to control/minimize condensation risk and control heating, at the same time activate fan system.

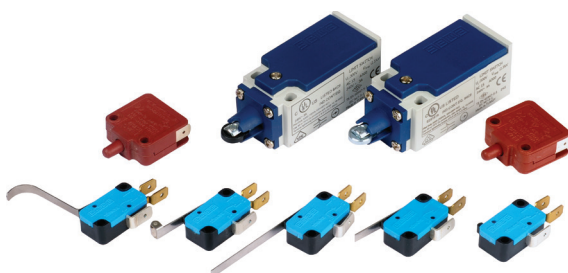
HYGROSTAT	Logistics Data								COMPATIBLE WITH	
									19" IP65 Outdoor Cabinets	
Part Number and Product Description	Product Dimensions WxDxH mm	Pack Dimensions WxDxH mm	Product Net Weight kgs	Product Gross Weight kgs	QTY in Box pcs	Box Dimensions WxDxH mm	Box Gross Weight kgs	600x650	600x800	
LN-HGT Lande mechanic analogue higrostat- 4% RH (± 3% tolerance) %40-90 Rh, 2,5 mm ² clemence terminal, 35mm DIN rail type	57x52x105	61x58x114	0,16	0,17	200	595x510x530		•	•	
LN-HGT-THM Lande mechanic analogue higrostat 4% RH (± 3% tolerance) %40-90 Rh + thermostat 0-60°C, 2,5mm ² clemence terminal, 35 mm DIN rail type	57x52x105	61x58x114	0,18	0,19	200	595x510x530	38	•	•	



The module will activate cooling/ventilation system devices such as fans. Air Conditioners or heat exchangers incase of temperature is exceeded the threshold value inside rack. Incase temperature is lower than threshold value than module will activate the heating devices. Also incase humidity is more than threshold value than again heating devices will be activated by the module DIN Rail type.

THERMOSTAT MODULE	Logistics Data								COMPATIBLE WITH	
									19" IP65 Outdoor Cabinets	
Part Number and Product Description	Product Dimensions WxDxH mm	Pack Dimensions WxDxH mm	Product Net Weight kgs	Product Gross Weight kgs	QTY in Box pcs	Box Dimensions WxDxH mm	Box Gross Weight kgs	600x650	600x800	
LN-THM-SS Intelligent digital thermostat module including humidity and temperature sensor. (DIN Rail type)	70x45x115	135x135x70	0,12	0,21	150	300x500x515	31,5	•	•	

Door Switches



IP65 Outdoor Cabinet Enclosure Door Switches

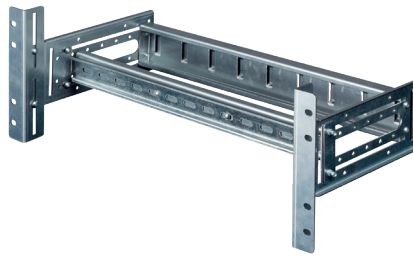
Various door switches are available for meeting your function requirements based on usage purposes. Please specify the switch type and quantity with your sales representative.

19" IP65 Outdoor Cabinet

4U / 2U Adjustable Stepless DIN Rail



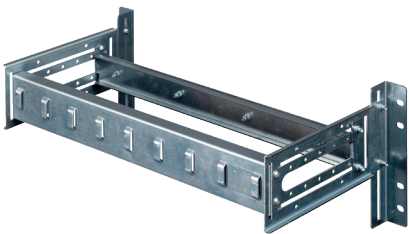
4U Mounting 19" ears, DIN rail set to back, 19" rails adjusted to top elevation.



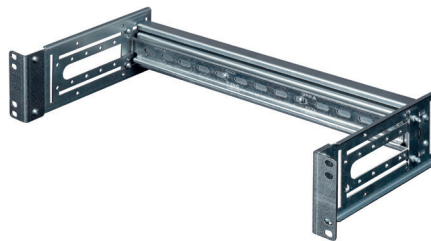
4U Mounting 19" ears, DIN rail set to front, 19" rails adjusted to middle elevation.



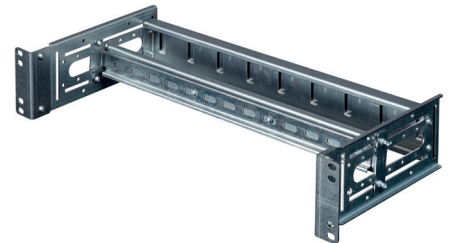
4U Mounting 19" ears, DIN rail set to middle position, 19" rails adjusted to top elevation.



Rear view with cable management tire up location



2U Mounting 19" ears, DIN rail set to back



2U mounting 19" ears, DIN rail set to center

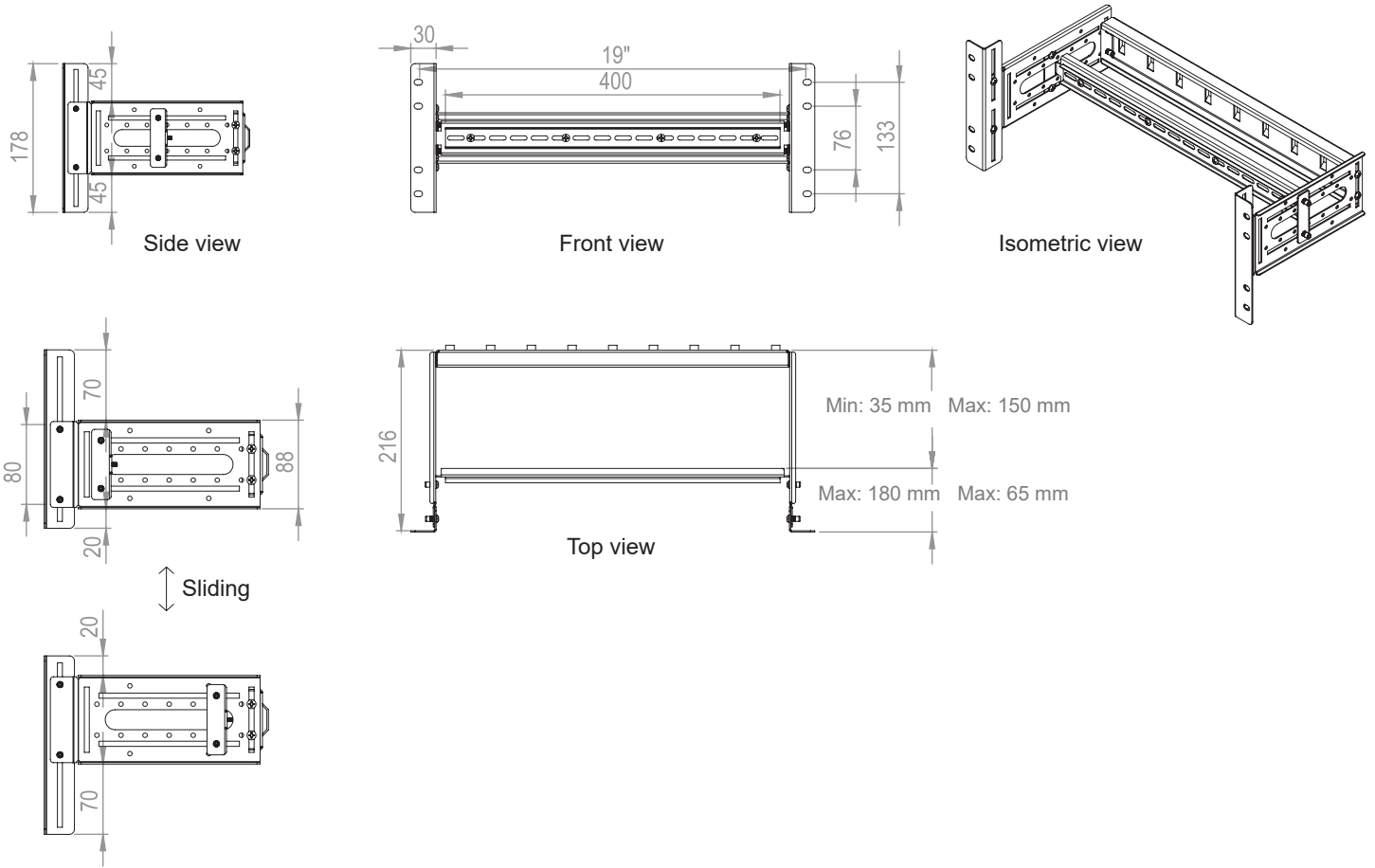


4U DIN rail depth/height adjustable, 4U and 2U 19" connection bars included, t=1,5 mm zinc plated steel, with rear cable management tire, up panel structure. In standard delivered with both 2U and 4U connection bars. If different height devices installed, with help of 4U brackets, you can align the different height of equipments on the DIN rail.

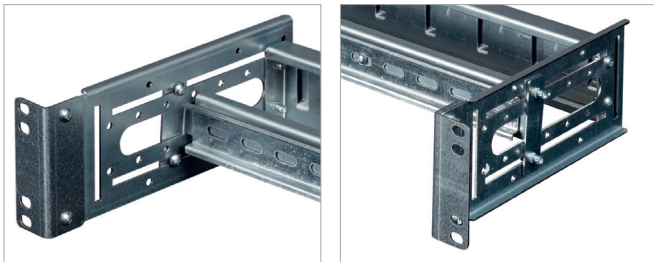
4U 19" DIN RAIL MODULE	Logistics Data							COMPATIBLE WITH	
								19" IP65 Outdoor Cabinets	
Part Number and Product Description	Product Dimensions mm	Pack Dimensions mm	Product Net Weight kgs	Product Gross Weight kgs	QTY in Box pcs	Box Dimensions mm	Box Gross Weight kgs	600x650	650x800
LN-DIN-MOD-4U19-ZN 4U 19" DIN rail module, adjustable in depth and height. 4U / 2U convertible	438x220x88	465x220x102	1,6	1,8	12	595x510x530	21,6	•	•

19" IP65 Outdoor Cabinet

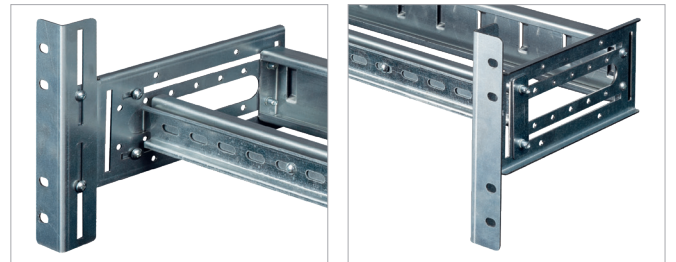
4U / 2U Adjustable Stepless DIN Rail



DIN Rail depth adjustment stepless



DIN Rail height adjustment stepless



4U DIN rail depth/height adjustable, 4U and 2U 19" connection bars included, t=1,5 mm zinc plated steel, with rear cable management tire, up panel structure. In standard delivered with both 2U and 4U connection bars. If different height devices installed, with help of 4U brackets, you can align the different height of equipments on the DIN rail.

4U 19" DIN RAIL MODULE	Logistics Data							COMPATIBLE WITH	
								19" IP65 Outdoor Cabinets	
Part Number and Product Description	Product Dimensions mm	Pack Dimensions mm	Product Net Weight kgs	Product Gross Weight kgs	QTY in Box pcs	Box Dimensions mm	Box Gross Weight kgs	600x650	600x800
LN-DIN-MOD-4U19-ZN 4U 19" DIN rail module, adjustable in depth and height. 4U / 2U convertible	438x220x88	465x220x102	1,6	1,8	12	595x510x530	21,6	•	•

19" IP65 Outdoor Cabinet

DIN Rails

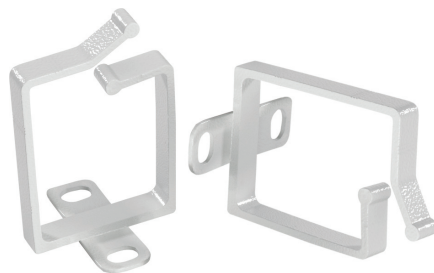


Basic DIN rail, 50 cm long, including special self drilling screw set, can be installed on all inner panels of double skin enclosure and make installation of non rack-mount devices, such as AC-DC converters heaters. Moulded circuit breakers, electrical hardware etc. 1U panel mounted basic and 1U panel mounted with bends offset to back are options.

1U DIN RAIL MODULE	Logistics Data							COMPATIBLE WITH	
								19" IP65 Outdoor Cabinets	
Part Number and Product Description	Product Dimensions WxDxH mm	Pack Dimensions WxDxH mm	Product Net Weight kgs	Product Gross Weight kgs	QTY in Box pcs	Box Dimensions WxDxH mm	Box Gross Weight kgs	600x650	600x800
LN-WOT-DIN DIN rail with 50 cm length galvanized including screw set	305x6x35	-	0,16	0,18	-	-	-	•	•
LN-PNL-DIN-1U19-B-CC 1U 19" DIN rail module- basic version on 1U panel and galvanized steel DIN rail	482x20x44	503x25x55	0,3	0,4	100	595x510x530	40	•	•
LN-PNL-DIN-1U19-E-CC 1U 19" DIN rail module- bended offsett version on 1U panel and galvanized steel DIN rail	482x70x44	510x155x55	0,4	0,5	50	595x510x532	25	•	•

* CC= Color Code, LG Light Grey RAL 7035, BL Black RAL 9005, customers to define while ordering.

Cable Management Rings

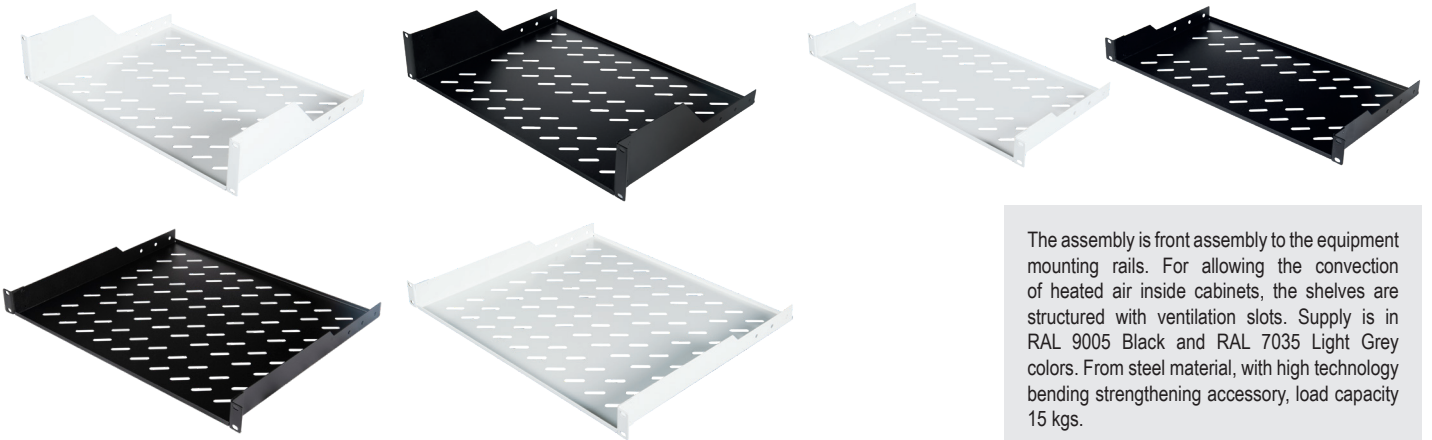


Horizontal cable management rings are for the cable management inside the cabinet, for use of carrying the cables into the final connection point. 44x30 mm 1set: 5pcs rings set including self drilling screw set-can be installed inner skin surface of cabinet enclosure. RAL 7035 Light Grey color.

CABLE MANAGEMENT RINGS	Logistics Data							COMPATIBLE WITH	
								19" IP65 Outdoor Cabinets	
Part Number and Product Description	Product Dimensions WxDxH mm	Pack Dimensions WxDxH mm	Product Net Weight kgs	Product Gross Weight kgs	QTY in Box pcs	Box Dimensions WxDxH mm	Box Gross Weight kgs	600x650	600x800
LN-KDG-KKM-4430-LG Cable management ring set for cable management including self drilling screws, metal 44x30 mm 1 set= 5 pcs	45x30x45	80x80x100	0,027	0,2	100	310x505x530	20	•	•

19" IP65 Outdoor Cabinet

Accessories



The assembly is front assembly to the equipment mounting rails. For allowing the convection of heated air inside cabinets, the shelves are structured with ventilation slots. Supply is in RAL 9005 Black and RAL 7035 Light Grey colors. From steel material, with high technology bending strengthening accessory, load capacity 15 kgs.

RACK MOUNT SHELVES 2 POINT FIXING	Logistics Data								COMPATIBLE WITH	
									19" IP65 Outdoor Cabinets	
Part Number and Product Description	Product Dimensions WxDxH mm	Pack Dimensions WxDxH mm	Product Net Weight kgs	Product Gross Weight kgs	QTY in Box pcs	Box Dimensions WxDxH mm	Box Gross Weight kgs	600x650	600x800	
LN-RAF-RMO-1U20-CC 1U D=200 mm 19" rack mount shelf, 2 point fixing, for all cabinets at 19" provision, load capacity 15 kgs.	482x200x44	510x240x50	0,9	1,1	10	545x425x400	13	•	•	
LN-RAF-RMO-1U30-CC 1U D=300 mm 19" rack mount shelf, 2 point fixing, for all cabinets at 19" provision, load capacity 15 kgs.	482x300x44	505x305x50	1,3	1,6	9	545x425x400	17	•	•	
LN-RAF-RMO-1U40-CC 1U D=400 mm 19" rack mount shelf, 2 point fixing, for all cabinets at 19" provision, load capacity 15 kgs.	482x400x44	515x415x55	1,7	2,1	7	545x425x400	14	•	•	
LN-RAF-RMO-2U35-CC 2U D=350 mm 19" rack mount shelf, 2 point fixing, for all cabinets at 19" provision, load capacity 15 kgs.	482x350x88	510x360x90	2,1	2,4	4	545x425x400	11	•	•	

* CC= Color Code, LG Light Grey RAL 7035, BL Black RAL 9005, customers to define while ordering.



Fixed shelves, 4 point fixing, compatible with all brand cabinets multi vendor. Adjustable brackets at depth. For allowing the convection of heated air inside cabinets, the shelves are structured with ventilation slots. Supply is in RAL 9005 Black and RAL 7035 Light Grey colors. From steel material, with high technology bending strengthening accessory, load capacity 50 kg.

FIXED SHELVES, 4 POINT FIXING UNIVERSAL MODEL, MULTIVENDOR, compatible with any brand cabinet	Logistics Data								COMPATIBLE WITH	
									19" IP65 Outdoor Cabinets	
Part Number and Product Description	Product Dimensions WxDxH mm	Pack Dimensions WxDxH mm	Product Net Weight kgs	Product Gross Weight kgs	QTY in Box pcs	Box Dimensions WxDxH mm	Box Gross Weight kgs	600x650	600x800	
LN-RAF-SBT-D800-CC-UNV Fixed Shelf, 19" 1U metal bracket, 4 point fixing, physical shelf Depth:570 mm for D:800 mm cabinets, load capacity 50 kgs. universal model, compatible with any brand cabinet	482x570x44	490x610x43	3	3,4	10	550x450x630	36	-	•	

* CC= Color Code, LG Light Grey RAL 7035, BL Black RAL 9005, customers to define while ordering.

19" IP65 Outdoor Cabinet

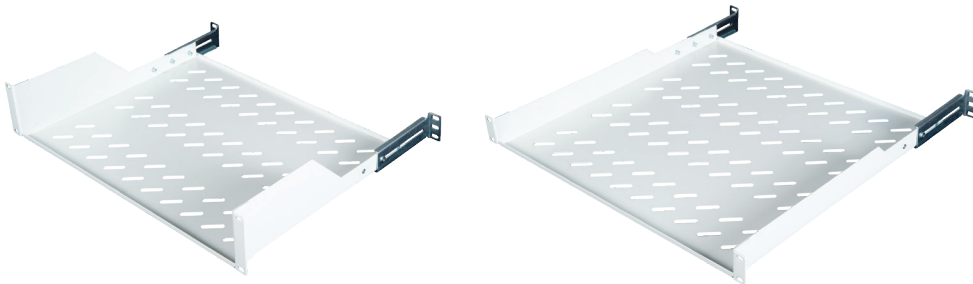
Accessories



Sliding shelves, 4 point fixing, compatible with all brand cabinets multi vendor. Adjustable brackets at depth. For allowing the convection of heated air inside cabinets, the shelves are structured with ventilation slots. Supply is in RAL 9005 Black and RAL 7035 Light Grey colors. From steel material, with high technology bending strengthening accessory, load capacity 30 kg.

FIXED SHELVES, 4 POINT FIXING UNIVERSAL MODEL, MULTIVENDOR, compatible with any brand cabinet	Logistics Data							COMPATIBLE WITH	
								19" IP65 Outdoor Cabinets	
Part Number and Product Description	Product Dimensions WxDxH mm	Pack Dimensions WxDxH mm	Product Net Weight kgs	Product Gross Weight kgs	QTY in Box pcs	Box Dimensions WxDxH mm	Box Gross Weight kgs	600x650	600x800
LN-RAF-HRK-D800-CC Sliding shelf, 4 point fixing, physical shelf Depth:570 mm for D:800 mm cabinets, load capacity 30 kgs, compatible with any brand cabinet	482x550x44	490x610x43	3,3	3,6	10	550x450x630	38	-	•

* CC= Color Code, LG Light Grey RAL 7035, BL Black RAL 9005, customers to define while ordering.



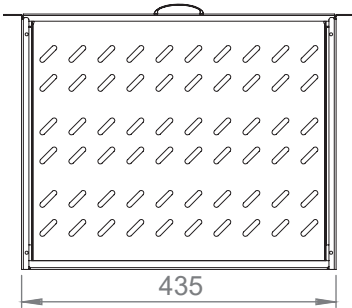
Front assembly to the 19" equipment mounting rails, the rear adjustable brackets allow the rear assembly to the rear 19" equipment mounting rails, providing 4 point assembly. To improve airflow of the convection of heated air inside cabinets, the shelves are structured with ventilation slots. Supply is in RAL 9005 Black and RAL 7035 Light Grey colors. From steel material, with high technology bending strengthening design, load capacity 50 kg.

RACK MOUNT SHELVES, 4 POINT FIXING	Logistics Data							COMPATIBLE WITH	
								19" IP65 Outdoor Cabinets	
Part Number and Product Description	Product Dimensions WxDxH mm	Pack Dimensions WxDxH mm	Product Net Weight kgs	Product Gross Weight kgs	QTY in Box pcs	Box Dimensions WxDxH mm	Box Gross Weight kgs	600x650	600x800
LN-RAF-RMC-2135-CC 2U 19" front, 1 U 19" rear assembly, adjustable rear 19" brackets, D:350 mm, for all cabinets at 19" provision, load capacity 50 kgs.	482x350x88	510x360x100	2,1	2,4	4	545x425x400	11,5	-	•
LN-RAF-RMC-1145-CC 1U 19" front, 1 U 19" rear assembly, adjustable rear 19" brackets, D:450 mm, for all cabinets at 19" provision, load capacity 50 kgs.	482x450x44	558x475x57	2,4	2,7	7	550x450x630	21	-	•
LN-RAF-RMC-2145-CC 2U 19" front, 1 U 19" rear assembly, adjustable rear 19" brackets, D:450 mm, for all cabinets at 19" provision, load capacity 50 kgs.	482x450x88	595x500x100	2,7	3,1	4	550x450x630	14,5	-	•
LN-RAF-RMC-2155-CC 2U 19" front, 1 U 19" rear assembly, adjustable rear 19" brackets, D:550 mm, for all cabinets at 19" provision, load capacity 50 kgs.	482x550x88	595x500x100	3,3	3,7	4	550x450x630	17	-	•

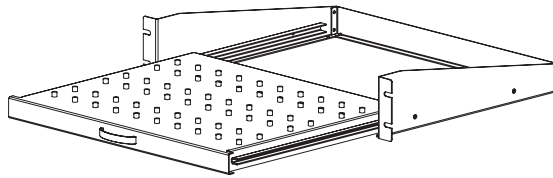
* CC= Color Code, LG Light Grey RAL 7035, BL Black RAL 9005, customers to define while ordering.

19" IP65 Outdoor Cabinet

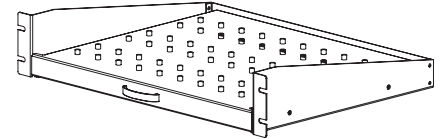
2U Rack Mount Sliding Shelf



Bottom view



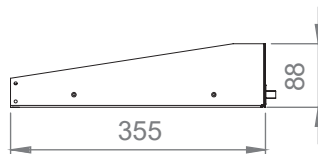
Isometric view



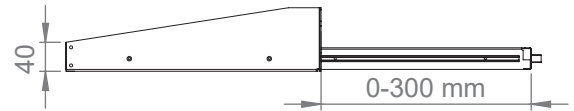
Isometric view



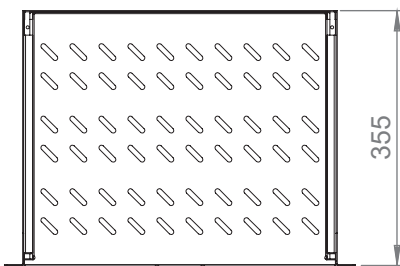
Front view



Side view



Slide out
Min. and max.



Top view

2U rack mount 0-350 mm sliding shelf. Just 2 point front fixing, designed specially for front access enclosures cabinets to allow sliding the components housed inside while cabinet has only front door access. Max load 15 kgs. Steel material, painted with RAL 7035 Light Grey color.

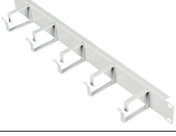







2U SLIDING SHELF For front access cabinets enclosures	Logistics Data							COMPATIBLE WITH	
	Product Dimensions WxDxH mm	Pack Dimensions WxDxH mm	Product Net Weight kgs	Product Gross Weight kgs	QTY in Box pcs	Box Dimensions WxDxH mm	Box Gross Weight kgs	19" IP65 Outdoor Cabinets	
LN-RAF-HRK-D400-CC Lande 2U rack mountable, 1U sliding mechanism, sliding shelf for D450 and 600 mm for frontal access enclosures max load capacity 15 kgs.	482x355x88	520x380x95	3,04	3,5	7	595x510x530	24,5	600x650	600x800
								•	•

* CC= Color Code, LG Light Grey RAL 7035, BL Black RAL 9005, customers to define while ordering.

19" IP65 Outdoor Cabinet

Accessories

Horizontal Cable Management Segment accessories are for the cable management inside the cabinet, for intend of carrying the cables into the final connection point. have types of 1/2U, 1U,2U, brushed type, ring type, with cover plates. Supply is in RAL 9005 Black and RAL 7035 Light Grey colors.


HORIZONTAL CABLE MANAGEMENT ACCESSORIES		Logistics Data								COMPATIBLE WITH	
		Product Dimensions WxDxH mm	Pack Dimensions WxDxH mm	Product Net Weight kgs	Product Gross Weight kgs	QTY in Box pcs	Box Dimensions WxDxH mm	Box Gross Weight kgs	600x650	600x800	
	LN-KDG-YKD-1UKN-CC 1U 19" cable management panel 5 rings	482x72x44	490x80x50	0,32	0,35	32	545x425x400	12,85	•	•	
	LN-KDG-YKD-1UKT-CC 1U 19" cable management panel, channel type, removable front cover plate with clips	482x75x44	490x80x50	0,51	0,55	32	545x425x400	19,20	•	•	
	LN-KDG-YKD-1UKZ-CC 1U 19" cable management panel, channel type, removable insert type sliding cover plate	482x72x44	490x80x50	0,68	0,72	32	545x425x400	24,10	•	•	
	LN-KDG-YKD-1UFC-CC 1U 19" cable management panel for patchcord entry, brushed type	482x12x44	490x20x50	0,25	0,29	40	560x425x122	13,50	•	•	
	LN-KDG-YKD-1UFO-CC 1U 19" cable management panel for patchcord entry, brushed type, with L rear bend patchcord holder and tire up panel	482x112x44	490x135x50	0,58	0,76	20	545x425x400	17,00	•	•	
	LN-KDG-YKD-05FC-CC 1/2U 19" cable management panel for patchcord entry, brushed stripe around the patchcord entry	482x12x22	490x135x50	0,45	0,64	20	545x425x400	14,00	•	•	
	LN-KDG-YKD-2UKN-CC 2U 19" cable management panel 5 rings	482x72x88	490x85x95	0,65	0,72	16	545x425x400	13,00	•	•	
	LN-KDG-YKD-2UKA-CC 2U 19" cable management panel, channel type, removable angled front cover plate, front cover plate is toolless	482x75x88	490x85x95	1,03	1,12	16	545x425x400	20,00	•	•	
	LN-KDG-YKD-2UKZ-CC 2U 19" cable management panel, channel type, removable insert type sliding cover plate	482x72x88	490x85x95	1,35	1,47	16	545x425x400	25,50	•	•	

* CC= Color Code, LG Light Grey RAL 7035, BL Black RAL 9005, customers to define while ordering

19" IP65 Outdoor Cabinet

Accessories

Aluminium housing, different types and features, Power Distribution Strip are CE Marked. DIN49440 Schuko types, IEC320 C13 Types, BS1363 UK Socket Types, illuminated on/off switched, 16A cct Breaker type, Surge Protection types are available. A wide accessory portfolio is available, possible to configurate special and specific product models with different socket types and qtls for projects.

POWER STRIPES ALUMINIUM HOUSING		Logistics Data							COMPATIBLE WITH	
Product Picture	Part Number and Product Description	Product Dimensions WxDxH mm	Pack Dimensions WxDxH mm	Product Net Weight kgs	Product Gross Weight kgs	QTY in Box pcs	Box Dimensions WxDxH mm	Box Gross Weight kgs	600x650	600x800
	LN-PRZ-SGT-1U6P-SC 6xDIN49440 socket Schuko power strip, 19" 1U, aluminium housing, 1x16A cct breaker, 4000 Watt, 250V AC, 3x1.5mm ² , 2,5m cable, DIN 49441 plug, CE approval	482x44x44	500x50x120	1	1,1	27	545x425x400	31	•	•
	LN-PRZ-SGT-2U9P-SC 9xDIN49440 socket Schuko power strip, 19" 2U, aluminium housing 1x16A cct breaker, 4000 Watt, 250V AC, 3x1.5mm ² , 2,5m cable, DIN 49441 plug, CE mark	482x44x88	500x100x120	1,5	1,7	12	545x425x400	22	•	•
	LN-PRZ-AKK-1U6P-SC 6xDIN49440 socket Schuko surge protection power Strip, 19" 1U, aluminium housing, 16A lighted on/off switched, 4000 Watt, 250V AC, 3x1.5mm ² , 2,5m cable, DIN 49441 plug, CE approval	482x44x44	500x50x120	1	1,1	27	545x425x400	31	•	•
	LN-PRZ-ONF-1U6P-UK 6xBS1363 UK socket power strip, 19" 1U, aluminium housing, lighted on/off switched, 13A 3250 Watt, 250V AC, 3x1.5mm ² , 2,5m cable, 13A BS1363 plug, CE mark.	482x44x44	500x100x120	1,2	1,4	24	545x425x400	34	•	•
	LN-PRZ-SGT-1U6P-IE 6xIEC 320 C13 socket power strip, 19" aluminium housing, 1x16A cct breaker, 4000 Watt, 250V AC, 2,5m cable, DIN 49441 plug, CE approval	482x44x44	500x50x120	1	1,1	27	545x425x400	31	•	•
	LN-PRZ-ONF-1U8P-SC 8xDIN49440 socket Schuko power strip, 19" 1U, aluminium housing, 16A lighted on/off switched, 4000 Watt, 250V AC, 3x1.5mm ² , 2,5m cable, DIN 49441 plug, CE approval	482x44x44	500x50x120	1,1	1,2	27	545x425x400	34	•	•

19" IP65 Outdoor Cabinet

Accessories



Ready pre-installed, plug-in and run style, with 0-60°C operating analogue thermostat switch and plugs. Each fan has an air flow capacity of 2,63-3,03cbm/min. Fan technical data: 13,8/11,8W, 220/240VAC, 50/60Hz, 0,14/0,12A, 2550/2750rpm 43-47dB-A noise level. Fan life: 50.000hours at 40°C.

FAN MODULES with ANALOG THERMOSTAT	Logistics Data							COMPATIBLE WITH	
	Product Dimensions WxDxH mm	Pack Dimensions WxDxH mm	Product Net Weight kgs	Product Gross Weight kgs	QTY in Box pcs	Box Dimensions WxDxH mm	Box Gross Weight kgs	19" IP65 Outdoor Cabinets	
Part Number and Product Description								600x650	600x800
LN-FAN-THM-1FWMIP-LG 1 fan module thermostat switched, filtered for IP65 Outdoor Cabinet	346x175x50	380x160x60	1,53	1,76	15	545x425x400	28,2	•	•
LN-FAN-THM-2FWMIP-LG 2 Fan Module thermostat switched, filtered for IP65 Outdoor Cabinet	346x175x50	380x160x60	1,97	2,20	15	545x425x400	34,9	•	•
LN-FAN-THM-1FWMIP-LG-48 Fan Module thermostat switched, filtered for IP65 Outdoor Cabinet, 48V DC	346x175x50	380x160x60	1,53	1,76	15	545x425x400	28,2	•	•
LN-FAN-THM-2FWMIP-LG-48 Fan Module thermostat switched, filtered for IP65 Outdoor Cabinet, 48V DC	346x175x50	380x160x60	1,97	2,20	15	545x425x400	34,9	•	•
LN-FAN-THM-4FLNIP-LG** 4 fan module thermostat switched, filtered for IP65 Outdoor Cabinet	430x417x45	465x425x65	3,9	4,1	10	595x510x530	41	-	•
LN-FAN-THM-4FLNIP-LG-48** 4 fan module thermostat switched, filtered for IP65 Outdoor Cabinet	430x417x45	465x425x65	3,9	4,1	10	595x510x530	41	-	•

** In standard the IP65 enclosures are able to accept 2 way fan units. However there is available space to adapt 4 way fan units. If you need more air volume, please consult this with your customer representative to modify upper case of enclosure which will accept 4 way fan module instead of 2 way fan module.

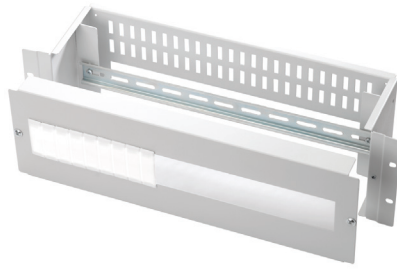


Led lighting module 12V DC power with 100-240V AC power adapter with motion detector IR sensor 19" 1/2U. Magnet equipped doesn't need to be assembled on the rack mount space at any metallic part of enclosure can be stuck with its magnets. That allows serviceability inside cabinet/enclosure. 6000 Kelvin illumination.

SENSORED LIGHTING MODULE	Logistics Data							COMPATIBLE WITH	
	Product Dimensions WxDxH mm	Pack Dimensions WxDxH mm	Product Net Weight kgs	Product Gross Weight kgs	QTY in Box pcs	Box Dimensions WxDxH mm	Box Gross Weight kgs	19" IP65 Outdoor Cabinets	
Part Number and Product Description								600x650	600x800
LN-DGR-AYD-1UOT-XX Lighting module 1/2U 19", motion sensor equipped automatically operating once doors are open, LED LIGHTING, magnet equipped 100-240V AC	482x35x44	500x150x55	0,48	0,65	16	545x425x400	10,4	•	•

19" IP65 Outdoor Cabinet

Accessories



3U 19" DIN RAIL integrated, electrical distribution box supply is in RAL 7035 Light Grey and RAL 9005 Black colors. At a capacity of 21 modules. Front opening is covered with PVC module cover plates which are adjustable as per used capacity.

3U 19" ELECTRICAL DISTRIBUTION BOX and ACCESSORIES	Logistics Data							COMPATIBLE WITH	
								19" IP65 Outdoor Cabinets	
Part Number and Product Description	Product Dimensions WxDxH mm	Pack Dimensions WxDxH mm	Product Net Weight kgs	Product Gross Weight kgs	QTY in Box pcs	Box Dimensions WxDxH mm	Box Gross Weight kgs	600x650	600x800
LN-PRZ-MOD-3U15-CC 3U 19" electrical distribution box 21 module capacity	482x123x133	500x150x155	2,59	2,89	4	545x425x400	13,6	•	•
LN-PRZ-SGT-316A-XX CCT breaker, 3 phase, 3x16A 220/380V AC	-	-	-	-	-	-	-	•	•
LN-PRZ-SGT-116A-XX CCT breaker 1 phase 1x16A 220V AC	-	-	-	-	-	-	-	•	•
LN-PRZ-SCK-SSRM-XX Schuko socket, rail type, 250V AC, 16A	-	-	-	-	-	-	-	•	•

* CC= Color Code, LG Light Grey RAL 7035, BL Black RAL 9005, customers to define while ordering.



4 pcs grounding wires, 4 mm diameter yellow and green, 40 cm long, for purpose of main earth grounding.

GROUNDING SETS	Logistics Data							COMPATIBLE WITH	
								19" IP65 Outdoor Cabinets	
Part Number and Product Description	Product Dimensions WxDxH mm	Pack Dimensions WxDxH mm	Product Net Weight kgs	Product Gross Weight kgs	QTY in Box pcs	Box Dimensions WxDxH mm	Box Gross Weight kgs	600x650	600x800
LN-DGR-TPR-5L40-XX Grounding Set, 6 grounding point, 4pcs x 4 mm diameter x 40cm long yellow/green wires, for basic grounding of cabinet chassis and panels	260x55x50	260x55x50	0,2	0,2	30	560x425x122	7,5	•	•
LN-DGR-TPR-1U10-CC 19" rack mount 1U Grounding Set, 10 grounding point, 4 pcs x 4 mm diameter x 40 cm long yellow/green wires, can be installed at any U height for all cabinet models, 4pcs set of M6 fixing elements.	482x35x44	500x45x50	0,4	0,45	1	500x45x50	0,45	•	•

* CC= Color Code, LG Light Grey RAL 7035, BL Black RAL 9005, customers to define while ordering.

19" IP65 Outdoor Cabinet

Lacquer UV printing any art design required for your project demands, fits to environment, fits to topology and deployment alignment of your projects. Any kind of art design, or letters/texts can be applied on front door.

Lacquering is needed for protection against UV effect coming from sun radiation. You imagine and we make it. Lande can provide the art design application from our in housed marketing department.



19" IP65 Outdoor Cabinet

Our Recommended Products

Environmental Monitoring and Management System



A full range of Environmental Management System modules are available, standalone or Networked to allow local or remote monitoring which allows Administrators to effectively manage your valuable assets, options for Camera's, Smoke sensors, Temperature and Humidity sensors, Moisture Sensors, and access sensors.

Advantages, Remote monitoring of multiple sites, High security and internal audit capability, Corrective and preventive actions, Instant and retrospective reporting and analysis.

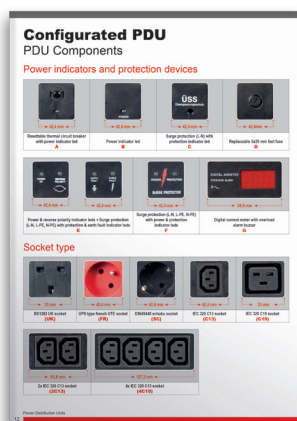
Access Control Systems



A full of Access Control and Locking systems available for to whole Lande range, from round key locked single point, swing lock three-point locking, combination locks, Keypad locking, RFID Card reader locking, Finger print readers and Retina (Eye) Reader Locking.

If integrated with Lande EMS systems, remote monitor locking can be achieved.

Power Distribution Unit



A complete range of Power Distribution Units are available from Basic economical units or full remote monitoring intelligent Units, IEC320 C13, BS 3pin UK type, DIN 49440 Schuko, 16A Breaker and Surge protection, 19" Horizontal and Vertical units either basic on/off switch to intelligent units with built in network point to allow multiple remote monitoring of various sites are available.



CONTACT DETAILS

Headquarters

Address:

Merve Mah. Gazi Cad. No: 17 **Phone:** +90 216 312 26 53
Sancaktepe - İstanbul / TURKEY **Fax** : +90 216 312 09 09

Factory

Address:

20. Cadde No: 14 Eskişehir **Phone:** +90 222 236 24 66 pbx
Organize San. Bölğ. 26110 **Fax** : +90 222 236 13 53
Eskişehir / TURKEY

www.lande.com.tr | sales@lande.com.tr

