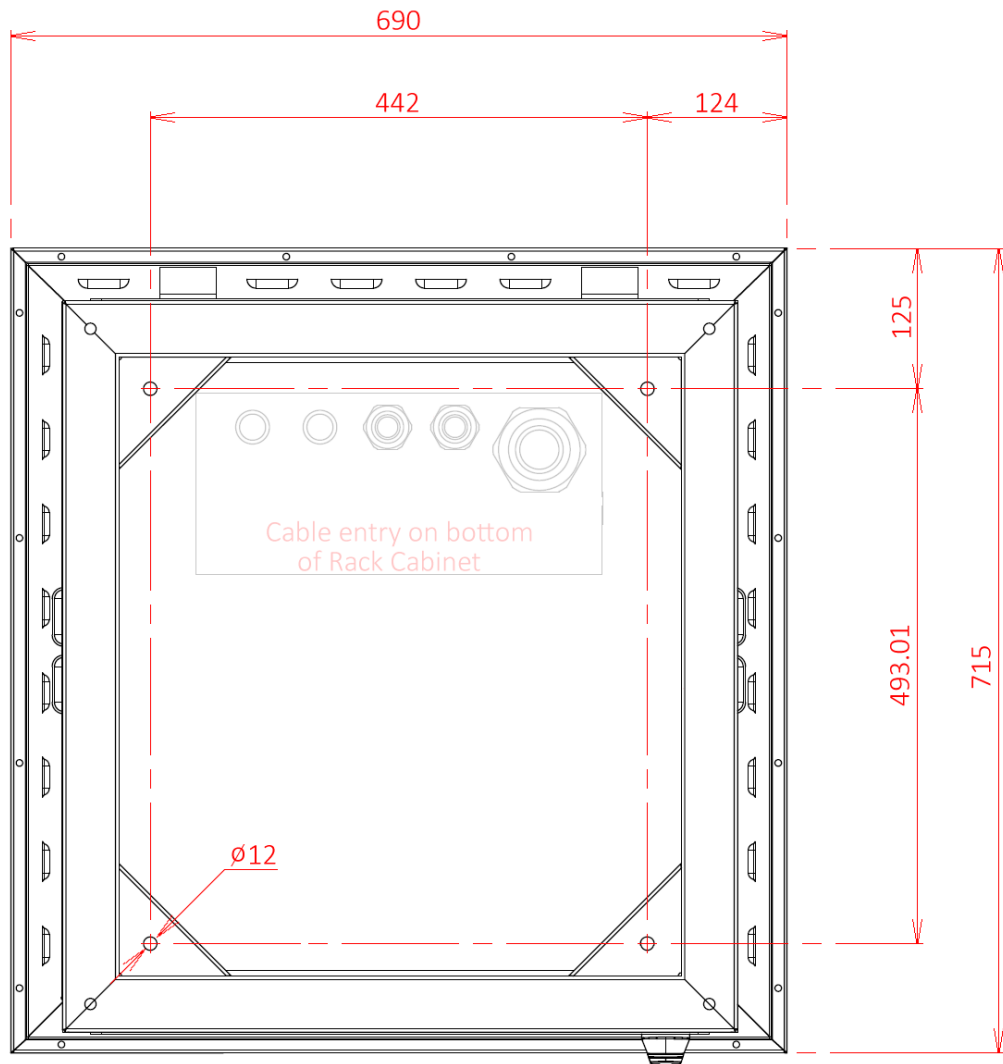


Lande ES465 IP65 Rack cabinet plinth fixing dimensions



All dimensions, mm.
Not to scale.

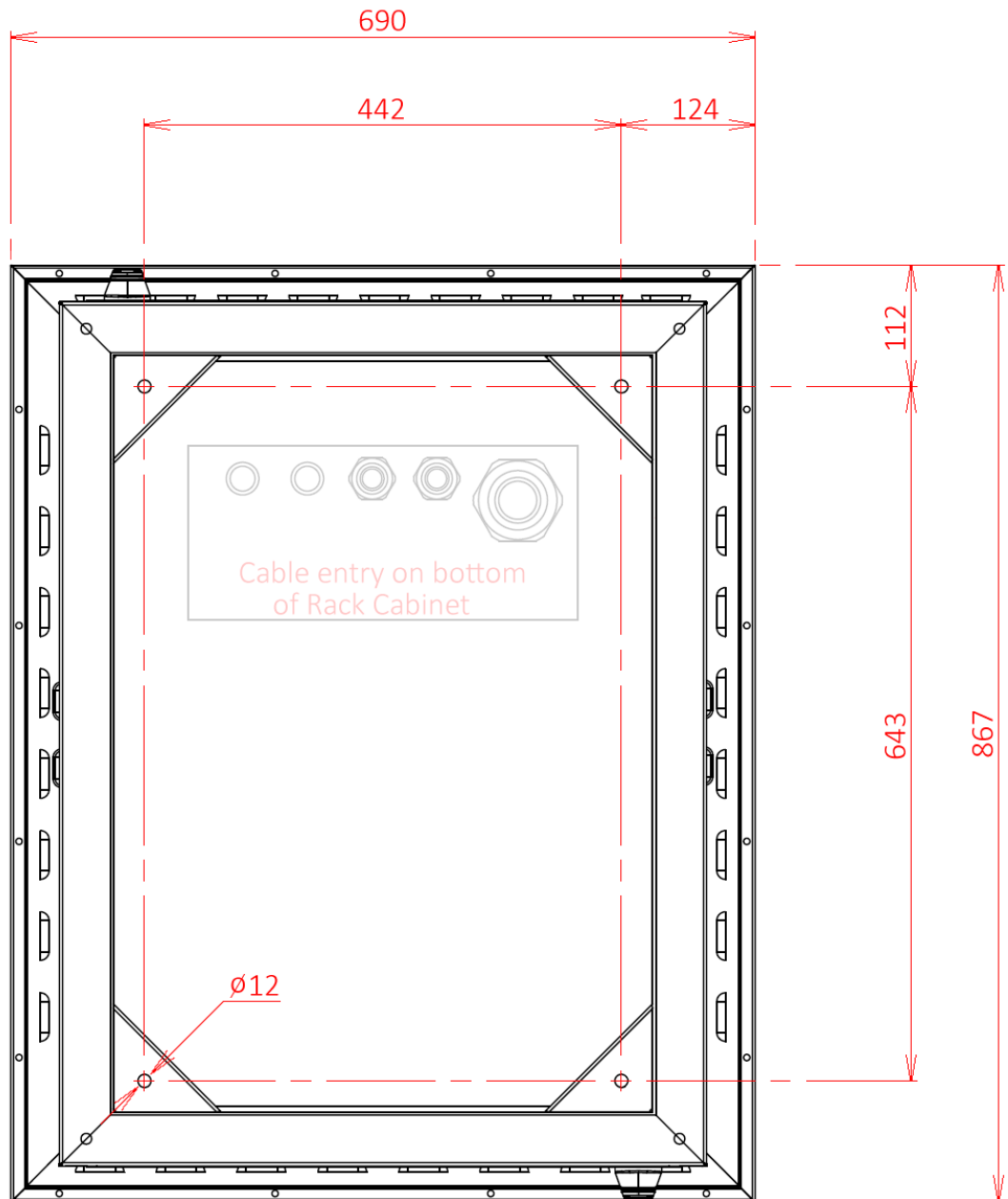
- 15-3901 LANDE ES4656509/G-L/Z275 RACK CABINET IP65, 19-inch, 9U, 650d, grey, inc 200mm plinth, Z275
- 15-3902 LANDE ES4656512/G-L/Z275 RACK CABINET IP65, 19-inch, 12U, 650d, grey, inc 200mm plinth, Z275
- 15-3903 LANDE ES4656516/G-L/Z275 RACK CABINET IP65, 19-inch, 16U, 650d, grey, inc 200mm plinth, Z275
- 15-3904 LANDE ES4656520/G-L/Z275 RACK CABINET IP65, 19-inch, 20U, 650d, grey, inc 200mm plinth, Z275
- 15-3905 LANDE ES4656522/G-L/Z275 RACK CABINET IP65, 19-inch, 22U, 650d, grey, inc 200mm plinth, Z275
- 15-3906 LANDE ES4656524/G-L/Z275 RACK CABINET IP65, 19-inch, 24U, 650d, grey, inc 200mm plinth, Z275
- 15-3907 LANDE ES4656526/G-L/Z275 RACK CABINET IP65, 19-inch, 26U, 650d, grey, inc 200mm plinth, Z275

CANFORD



www.canford.co.uk

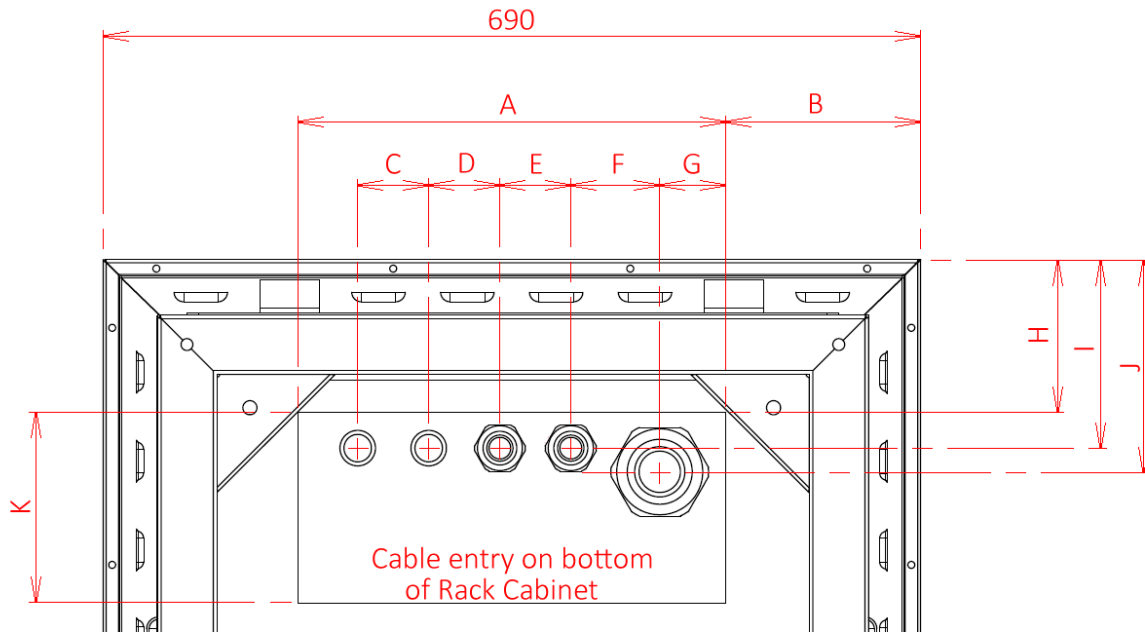
Lande ES465 IP65 Rack cabinet plinth fixing dimensions



All dimensions, mm.
Not to scale.

- 15-3911 LANDE ES4658009/G-L/Z275 RACK CABINET IP65, 19-inch, 9U, 800d, grey, inc 200mm plinth, Z275
- 15-3912 LANDE ES4658012/G-L/Z275 RACK CABINET IP65, 19-inch, 12U, 800d, grey, inc 200mm plinth, Z275
- 15-3913 LANDE ES4658016/G-L/Z275 RACK CABINET IP65, 19-inch, 16U, 800d, grey, inc 200mm plinth, Z275
- 15-3914 LANDE ES4658020/G-L/Z275 RACK CABINET IP65, 19-inch, 20U, 800d, grey, inc 200mm plinth, Z275
- 15-3915 LANDE ES4658022/G-L/Z275 RACK CABINET IP65, 19-inch, 22U, 800d, grey, inc 200mm plinth, Z275
- 15-3916 LANDE ES4658024/G-L/Z275 RACK CABINET IP65, 19-inch, 24U, 800d, grey, inc 200mm plinth, Z275
- 15-3917 LANDE ES4658026/G-L/Z275 RACK CABINET IP65, 19-inch, 26U, 800d, grey, inc 200mm plinth, Z275

Cable entry plate location in relation to plinth and dimensions



15-3901 to 15-3907

15-3911 to 15-3917

A	361.0mm	361.0mm	(Width of cable entry plate)
B	164.5mm	164.5mm	(From plinth edge to cable entry plate side)
C	60.0mm	60.0mm	(Cable Entry hole centre distance)
D	60.0mm	60.0mm	(Cable Entry hole centre distance)
E	60.0mm	60.0mm	(Cable Entry hole centre distance)
F	75.0mm	75.0mm	(Cable Entry hole centre distance)
G	55.5mm	55.5mm	(Cable Entry plate to 1 st hole centre)
H	129.5mm	167.0mm	(From plinth edge to cable entry plate top)
I	160.0mm	197.5mm	(From plinth edge to first row of holes)
J	180.0mm	217.5mm	(From plinth edge to hole on second row)
K	161.0mm	161.0mm	(Height of cable entry plate)