

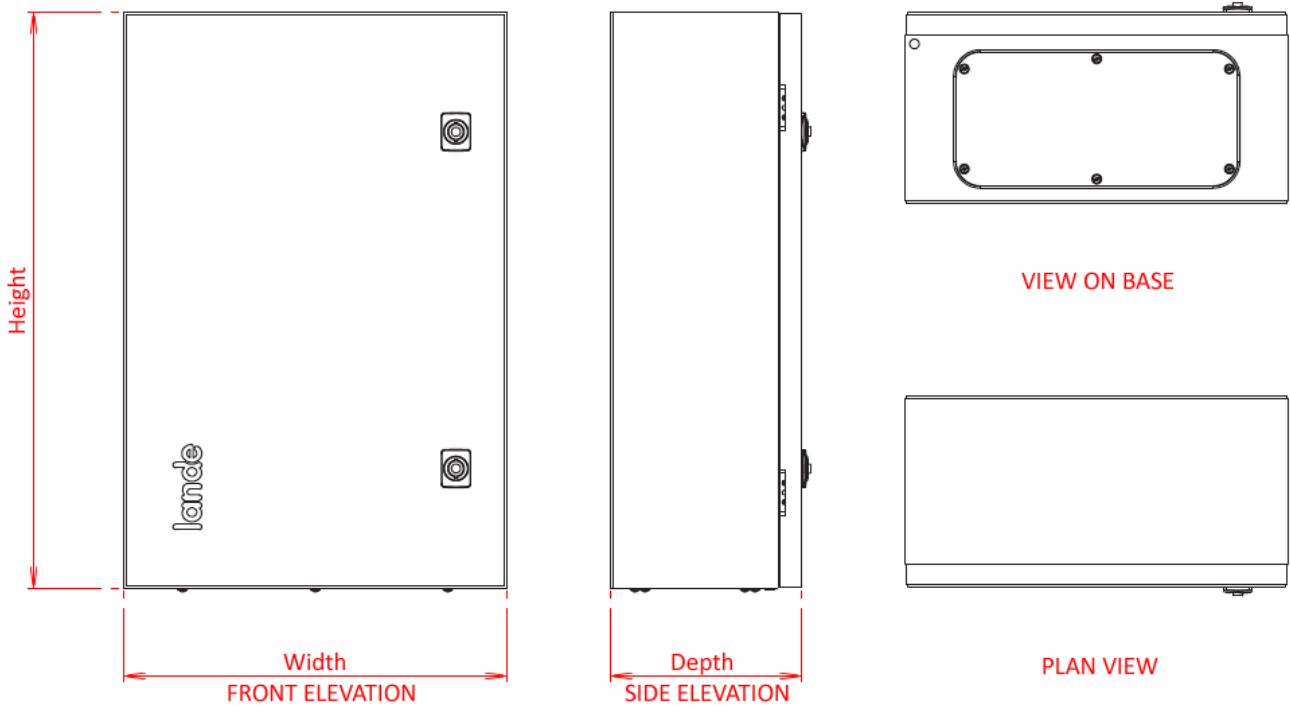


- 15-3151 LANDE RACKS ES466E302015 WALL CABINET IP66, 300mm high, 200 wide x 150 deep, grey
- 15-3152 LANDE RACKS ES466E303015 WALL CABINET IP66, 300mm high, 300 wide x 150 deep, grey
- 15-3153 LANDE RACKS ES466E403015 WALL CABINET IP66, 400mm high, 300 wide x 150 deep, grey
- 15-3154 LANDE RACKS ES466E504015 WALL CABINET IP66, 500mm high, 400 wide x 150 deep, grey
- 15-3156 LANDE RACKS ES466E304020 WALL CABINET IP66, 300mm high, 400 wide x 200 deep, grey
- 15-3157 LANDE RACKS ES466E403020 WALL CABINET IP66, 400mm high, 300 wide x 200 deep, grey
- 15-3160 LANDE RACKS ES466E604020 WALL CABINET IP66, 600mm high, 400 wide x 200 deep, grey
- 15-3166 LANDE RACKS ES466E406025 WALL CABINET IP66, 400mm high, 600 wide x 250 deep, grey
- 15-3167 LANDE RACKS ES466E504025 WALL CABINET IP66, 500mm high, 400 wide x 250 deep, grey
- 15-3168 LANDE RACKS ES466E604025 WALL CABINET IP66, 600mm high, 400 wide x 250 deep, grey
- 15-3171 LANDE RACKS ES466E705025 WALL CABINET IP66, 700mm high, 500 wide x 250 deep, grey
- 15-3172 LANDE RACKS ES466E606025 WALL CABINET IP66, 600mm high, 600 wide x 250 deep, grey
- 15-3177 LANDE RACKS ES466E806030 WALL CABINET IP66, 800mm high, 600 wide x 300 deep, grey

1. GENERAL CHARACTERISTICS:

- Metallic welded monobloc body for extra strength.
- Folded side edges for better contact with door seal.
- Large usage area for internal mounting.
- Equipment mounting plate can be easily removed and remounted in the cabinet.
- IP66 Protection level against dust & water ingress, IEC EN60529.
- IK10 Mechanical impact resistance, IEC EN62262.
- Metal cabinets painted light grey to RAL 7035, 70-90µ thickness.
- Coating has 500 hours of salt spray test resistance.
- High chemical resistance.
- Folded plate door structure for extra strength.
- Doors reversible with high quality single or double locks, (model dependant).
- Hinges and edges have high-performance anti-corrosion treatment.
- Polyurethane door seal.
- Vertical 25mm mounting angles with 3.5mm holes at 25mm spacing on the inside of the door.
- Bottom of cabinet cable entry with sealed cable access panel.

2. RANGE:

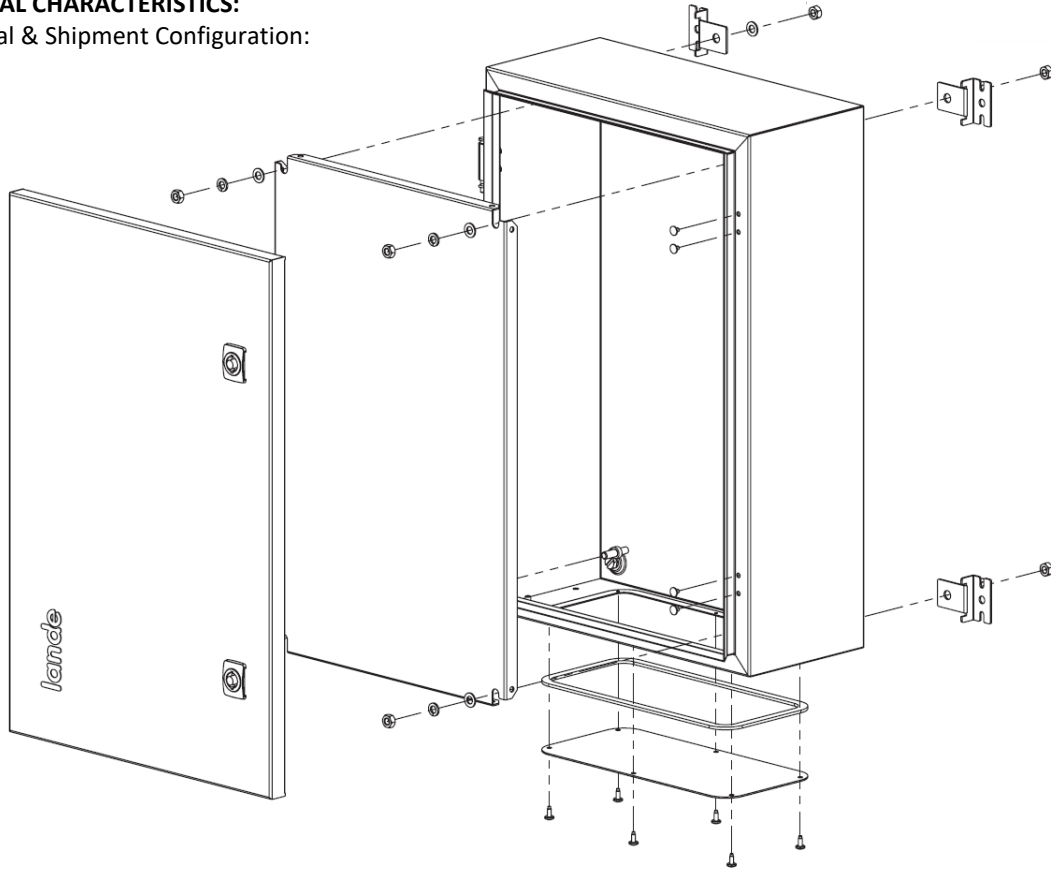


Cabinet Description	Width	Height	Depth	Bottom Cable Entry	Lock Qty	Hinge Qty
15-3151 - ES466E302015	200	300	150	119x65	1	2
15-3152 - ES466E303015	300	300	150	119x65	1	2
15-3153 - ES466E403015	300	400	150	119x65	1	2
15-3154 - ES466E504015	400	500	150	119x65	2	2
15-3156 - ES466E304020	400	300	200	269x115	1	2
15-3157 - ES466E403020	300	400	200	119x65	1	2
15-3160 - ES466E604020	400	600	200	269x115	2	2
15-3166 - ES466E406025	600	400	250	469x150	1	2
15-3167 - ES466E504025	400	500	250	269x115	2	2
15-3168 - ES466E604025	400	600	250	269x115	2	2
15-3171 - ES466E705025	500	700	250	269x115	2	2
15-3172 - ES466E606025	600	600	250	469x150	2	2
15-3177 - ES466E806030	600	800	300	469x150	2	2
15-3155 - ES466E303020	300	300	200	119x65	1	2

All Dimensions in mm.

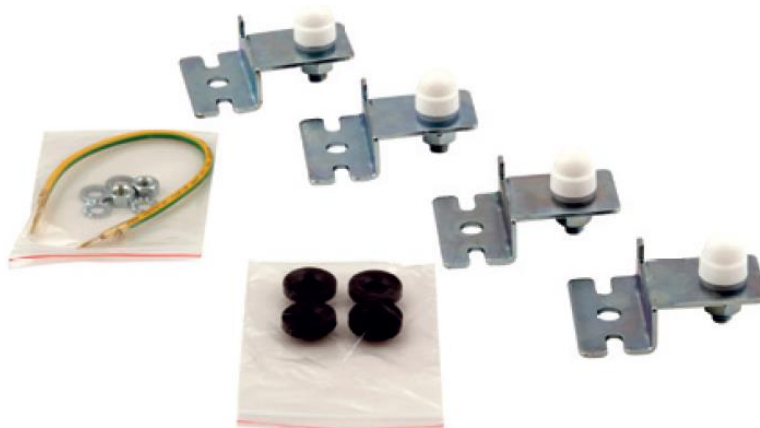
3. TECHNICAL CHARACTERISTICS:

3.1. Material & Shipment Configuration:



Part Definition	Material Quality	Material Thickness	Shipment Configuration
Main Body (Structure)	DIN EN 10130 - DC-01 - 6112 CRS	1.2mm	1 each
Door (with polyurethane seal)	DIN EN 10130 - DC-01 - 6112 CRS	1.0mm	1 each
Mounting Plate	DIN EN 10130 - DC-01 - 6112 CRS	1.5mm	1 each
Cable Access/Gland Plate	DIN EN 10130 - DC-01 - 6112 CRS	1.5mm	1 each
Mounting Brackets	DIN EN 10130 - DC-01 - 6112 CRS	2.0mm	4 each
Service Pack	Consists of	4 pcs Mounting Brackets 1 set Grounding Cable 1 set Wall Mounting Fittings 2 pcs of Keys	1 set

Main Structure is welded with central band, top cover & bottom cover. Folded plate body and welding provide extra strength for weight loading and external impact to frame. Door structure is manufactured by folding the plate for rigidity and strength. Door complete with a sealing gasket to maintain IP rating. Equipment mounting plate is pre-galvanised with 4 edges bended, (model dependent), to provide rigidity during device mounting and cabling. Cable gland plate is flat with sealing gasket to stop dust & water ingress. Mounting brackets manufactured to maintain weight loading without deformation.



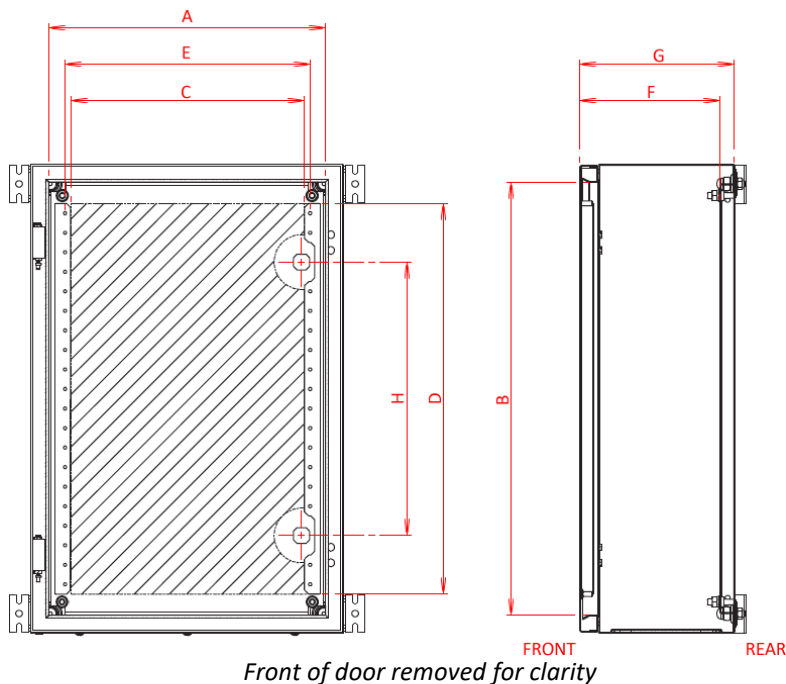
Service Pack

LANDE RACKS ES466E IP66 WALL CABINETS

- 3.2. Protection Ratings: IP66 according to IEC Standard EN 60529.
Fully protected against dust and fully protected against water ingress.
 IK10 according to IEC standard EN 62262 (EN50102)
- 3.3. Mechanical Resistance: Max. Loading capacity 500 kg/m³.
 Max. Loading capacity on door 5 kg per 100 mm of height.
 Max. Static load on 4 mounting brackets 250 kg
- 3.4. Properties of Epoxy-Polyester Coating:
 Coating Henkel Bonderite Nanotechnology - 70-90µm thickness
 Salt Spray test resistance 500 hours
 Adhesion capability EN ISO 2409 Class 0 to 1.
 Operating temperature -25C to +70C degree
 Coating process Degreasing
 Double Rinsing
 D.I. Water Rinsing
 Nano Zirconium based coating with Henkel Bonderite Nanotechnology
 D.I. Water Rinsing

4. DIMENSIONS:

4.1. Doors &
 Front Opening:

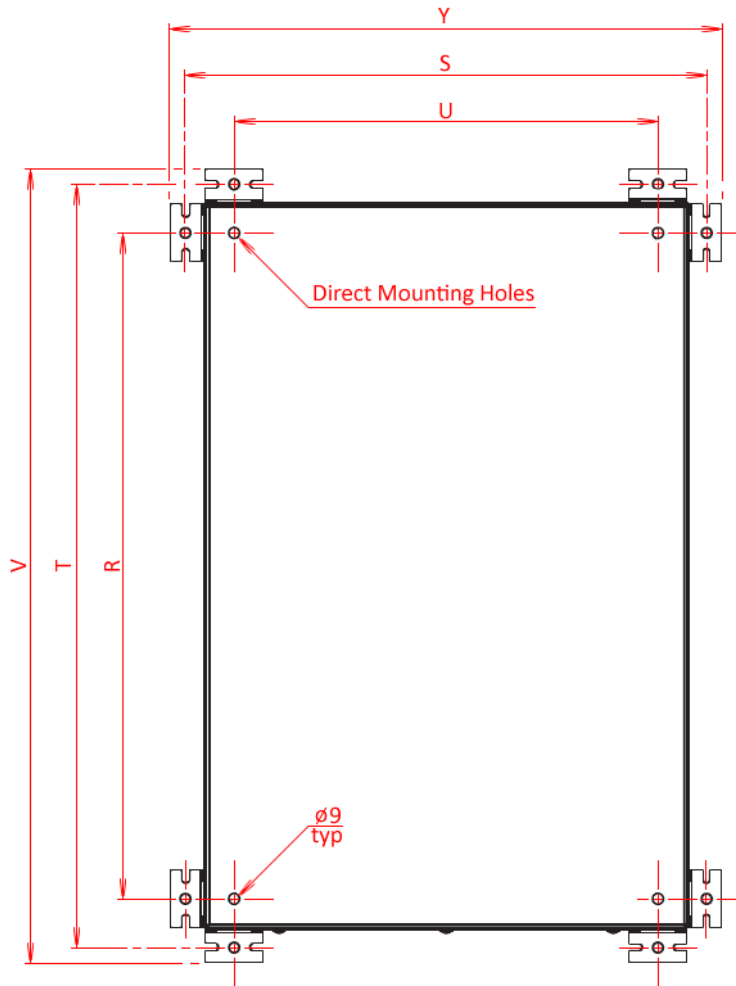


Cabinet Description	Opening Size		Door Dimensions			Useful Depth		Spacing
	A	B	C	D	E	F	G	H
15-3151 ES466E302015	154	254	100	200	114	128	146	Single Lock
15-3152 ES466E303015	254	254	200	200	214	128	146	Single Lock
15-3153 ES466E403015	254	354	200	300	214	128	146	Single Lock
15-3154 ES466E504015	354	454	300	400	314	128	146	250
15-3156 ES466E304020	354	254	300	200	314	178	196	Single Lock
15-3157 ES466E403020	254	354	200	300	214	178	196	Single Lock
15-3160 ES466E604020	354	554	300	500	314	178	196	350
15-3166 ES466E406025	554	354	500	300	514	228	246	Single Lock
15-3167 ES466E504025	354	454	300	400	314	228	246	250
15-3168 ES466E604025	354	554	300	500	314	228	246	350
15-3171 ES466E705025	454	654	400	600	414	228	246	450
15-3172 ES466E606025	554	554	500	500	514	228	246	350
15-3177 ES466E806030	554	754	500	700	514	278	296	550

All Dimensions in mm.

- A = Open Size Width
- B = Open Size Height
- C = Door Mount Strip Gap
- D = Door Mount Strip Length
- E = Cable Holder Spacing
- F = Door to Equipment Mounting Plate
- G = Door to Cabinet Rear
- H = Lock spacing

4.2. Cabinet Mounting Brackets:

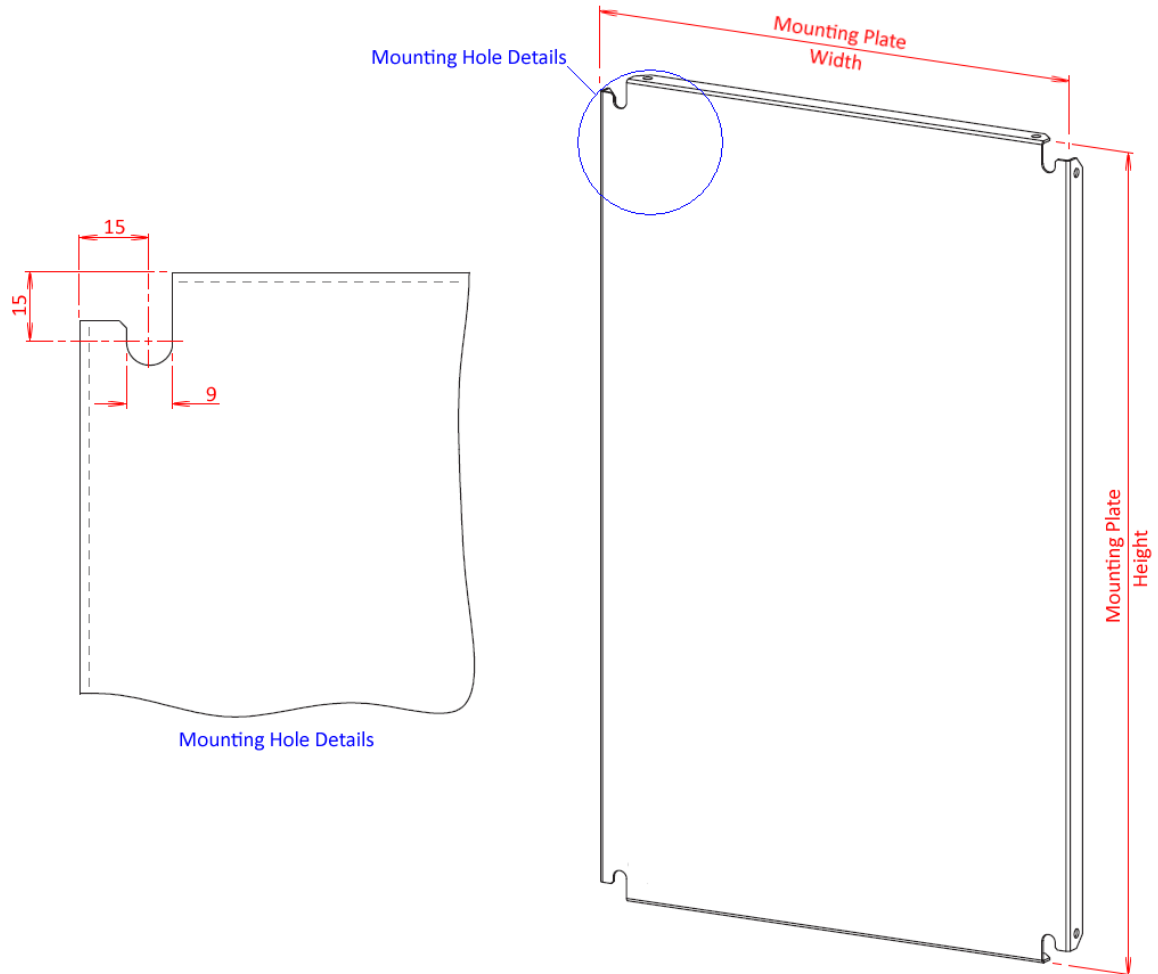


Mounting Holes/Brackets Dimensions

Cabinet Description	R	S	T	U	V	Y
15-3151 - ES466E302015	250	230.5	330.5	150	356	256
15-3152 - ES466E303015	250	330.5	330.5	250	356	356
15-3153 - ES466E403015	350	330.5	430.5	250	456	356
15-3154 - ES466E504015	450	430.5	530.5	350	556	456
15-3156 - ES466E304020	250	430.5	330.5	350	356	456
15-3157 - ES466E403020	350	330.5	430.5	250	456	356
15-3160 - ES466E604020	550	430.5	630.5	350	656	456
15-3166 - ES466E406025	350	630.5	430.5	550	456	656
15-3167 - ES466E504025	450	430.5	530.5	350	556	456
15-3168 - ES466E604025	550	430.5	630.5	350	656	456
15-3171 - ES466E705025	650	530.5	730.5	450	756	556
15-3172 - ES466E606025	550	630.5	630.5	550	656	656
15-3177 - ES466E806030	750	630.5	830.5	550	856	656

All Dimensions in mm.

5. EQUIPMENT MOUNTING PLATE:



Galvanised mounting plate bolted to the inside back of the cabinet to provide a platform for the user modification to fix cable organisers, DIN Rails and other components.

Cabinet Description	Plate Edges	Width	Height
15-3151 - ES466E302015	Flat	150	250
15-3152 - ES466E303015	Flat	250	250
15-3153 - ES466E403015	Flat	250	350
15-3154 - ES466E504015	Bended	350	450
15-3156 - ES466E304020	Flat	350	250
15-3157 - ES466E403020	Flat	250	350
15-3160 - ES466E604020	Bended	350	550
15-3166 - ES466E406025	Bended	550	350
15-3167 - ES466E504025	Bended	350	450
15-3168 - ES466E604025	Bended	350	550
15-3171 - ES466E705025	Bended	450	650
15-3172 - ES466E606025	Bended	550	550
15-3177 - ES466E806030	Bended	550	750

All Dimensions in mm.