



19" DYNAmic Free Standing Cabinets



19" DYNAmic

Free Standing Cabinets

10-15

19" DYNAmic Free Standing Cabinet 600x600 mm



16-21

19" DYNAmic Free Standing Cabinet 600x800 mm



22-27

19" DYNAmic Free Standing Cabinet 600x1000 mm



28-33

19" DYNAmic Free Standing Cabinet 600x1200 mm



37-42

19" DYNAmic Free Standing Cabinet 800x600 mm



43-48

19" DYNAmic Free Standing Cabinet 800x800 mm



49-54

19" DYNAmic Free Standing Cabinet 800x1000 mm



55-60

19" DYNAmic Free Standing Cabinet 800x1200 mm



19" DYNAmic

Free Standing Cabinets

FAMILY

W=600 mm DYNAmic Series Free Standing Cabinets

DYNAmic Series Networking / Servering Enclosures, provide maximum optimization resulted to an optimum performance in between quality and added value.

While product gives maximum performance on cabling and networking infrastructure, in parallel provides a very respective economy compared to its quality which is based on high technologic fully automated industry.

The 600 series is available in 11 heights from 12U through to 47U, and in certain sizes a choice of depth is also available including 600, 800, 1000 and 1200 mm options. Each cabinet is supplied as standard with a glass front door, steel rear door and lift off steel side panels, all of which are lockable. The 800 wide series are starting from 22 to 47U size.

The wide product height portfolio meets any U requirement in infrastructure needs. DYNAmic series have a professional technical but aesthetic look with decorative Aluminium Extruded Housing on the front door; the product range attracts the attention with the mostly environmentally fit and selected color of RAL 9005 Black, and RAL 7035 Light Grey, with fine wrinkle soft touch paint.

The product range allows with 1000 and 1200 mm depth versions, usage in private / low density server and storage applications.

Completely standard and stocked product portfolio, being delivered a single piece assembled or flat packed product, as shipping configuration the adjustable feet group is included.

DYNAmic Series product range with optimal panel mounting size, and a variety range of accessories enclose the whole expectation of users.



19" DYNAmic

Free Standing Cabinets

FAMILY

Construction details:

Main profile, framework, top/bottom cases and pagoda style roof: multi folded automated bending technology applied corner profile system, provides a heavy duty structure results to high load capacity nominal of: 600 kgs.

The same rack can be configured for higher static load capacity up to 1000 kgs. optionally with Enhanced version. Enhanced version has additional support bars for 19" rails and 19" rail specification is different than standard configuration.

However tested with 2,5 times of nominal load due to security regulations of UL 2416, outline of investigation for Audio/Video, Information and Communication Technology Equipment Cabinet, Enclosure and Rack Systems.

Monoblock multi folded top and bottom cases, tightly fixed to the framework with fixing hardware, fully modular system generated.

Top case has a ready forced ventilation (fan module) integration housing.

Fan module installation is from roof, where the pagoda style roof to be removed first. The advantage of this system is, once the fan unit needs maintenance or replacement and while the cabinet is carrying integrated active and passive networking devices, than subject to remove some of them to replace the fan module unit. Lande Cabinet fan module unit access is from roof where no interference with the already installed components inside cabinets.

Bottom case integrated with wide cable entry point provides maximum versatility. The rubber edged sliding mechanism on the cable entry point at bottom with $w=350\text{ mm} \times d=250\text{ mm}$ allows large cabling infrastructure applications. On rubber edged sliding mechanism max cable entry opening is $w=350 \times d=150\text{ mm}$. After inserting the cables, the rubber edged mechanism holds and fixes the cables in parallel preventing the cabinet from dust entry.

Pagoda style roof located 10 mm above the top case, allows passive air ventilation via convection, in case of integration with a fan unit for forced ventilation intend, the pagoda style roof allows easy discharge of hot air from cabinet while preventing the cabinet from dripping water or falling dust.

Pagoda style roof corners and main profile junction are closed with Light Grey and Black color complementary PVC application for aesthetical appearance.



19" DYNAmic

Free Standing Cabinets

FAMILY

Construction details:

Access to enclosure:

Front door is integrated with decorative 2,5 mm thickness aluminium extruded frames, full length smoked, shatterproof, antistatic, 4,0 mm thickness glass with single point locking handled lock.

Front door aluminium extruded frame allows, decorative PVC Stripes charming the attraction, Anthracite Grey for RAL 7035 Light Grey Cabinets and Light Grey for RAL 9005 Black cabinets. However based on customer wishes and/or market demands Lande offers multiple color option to customers.

Front door opening direction is set right to left, but reversible to left to right at site with removing the hinge system. Hinge system is spring loaded easy operating version, which allows you to remove the whole front door from cabinet in seconds.

Alternative door and panels are available for customer selection.

Side panels are lockable and removable with barrel style lock, multifolded bending technology with 8 fold bending provides the rigidity. Easy mechanical locking of panel to main frame with snap capture system allows easy attachment of panels and easy removal in seconds while installation process.

Rear panels are lockable and removable with barrel style lock, multifolded bending technology with 8 fold bending provides the rigidity. For best optimized cost conduction to customers, the rear panel designed and created with same mechanical concept and sizes of the side panels. In case of more mechanical concept and functional needs as a hinged rear door, there are various design and functionality on the created selection charts.

19" rails of Lande DYNAmic Series Free Standing Cabinets are with automated silk-screen U numbering, depends on size 1U to 47U, same from top bottom or bottom to top results to same U height selection. No matter from where you have started counting. 19" rails are 4 fold bended and 1,5 mm thickness provides the high load capacities. The 19" rails are made of steel with 8-12 micron zinc plating for corrosion resistance. 19" rails are adjustable in depth.

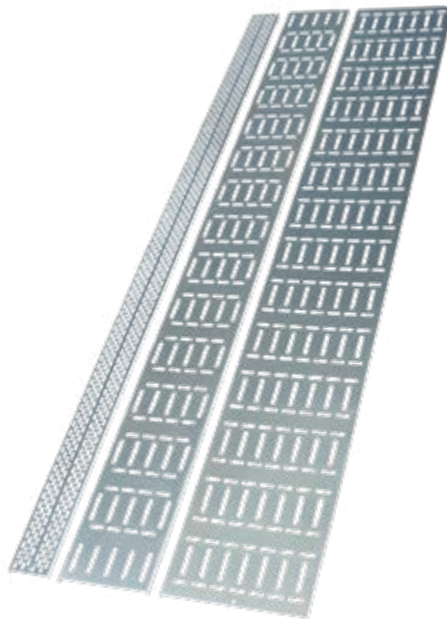
Side horizontal support bar in depth; up to 26U the 19" rails are fixed to top and bottom case additionally 1 set (left/right) of Omega type horizontal support bar. Higher than 26U; the cabinets are integrated with 2 sets (left/right), 1,5 mm thickness Omega type made of steel + 8-12 micron zinc plated side horizontal support bar in addition to top and bottom case fixing.

All design features provide 4 way access to your enclosure and equipments, easy to reach to enclosure and equipments for all infrastructure installations and maintenance needs.



19" DYNAmic

Free Standing Cabinets



Additional vertical cable tray W:100 mm can be housed at back side where the main cable bundles run through. Extensibility feature of cable trays by using 2 pcs for 200 mm wide, 3 pcs for 300 mm wide cable tray system could be managed. Moreover there are W200 mm and W300 mm multi-slotted cable trays are available.

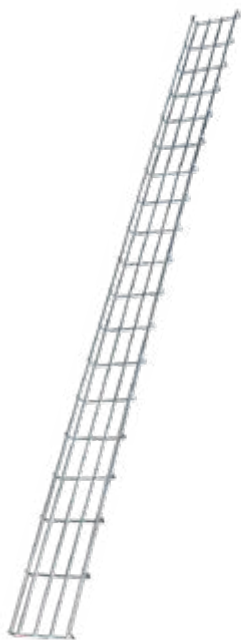
Vertical Cable Trays

Product Number	Product Model	Product Description	19" DYNAMIC Free Standing Cabinets Comptible With							
			600x600 mm	600x800 mm	600x1000 mm	600x1200 mm	800x600 mm	800x800 mm	800x1000 mm	800x1200 mm
LN-KDG-CMT-12UK-ZN	Steel-Galvanized Vertical Cable Manager	12U Cable Tray Zinc Plated W=100mm	✓	✓	NA	NA	NA	NA	NA	NA
LN-KDG-CMT-16UK-ZN		16U Cable Tray Zinc Plated W=100mm	✓	✓	NA	NA	NA	NA	NA	NA
LN-KDG-CMT-20UK-ZN		20U Cable Tray Zinc Plated W=100mm	✓	✓	NA	NA	NA	NA	NA	NA
LN-KDG-CMT-22UK-ZN		22U Cable Tray Zinc Plated W=100mm	✓	✓	✓	NA	✓	✓	NA	NA
LN-KDG-CMT-26UK-ZN		26U Cable Tray Zinc Plated W=100mm	✓	✓	✓	NA	✓	✓	NA	NA
LN-KDG-CMT-32UK-ZN		32U Cable Tray Zinc Plated W=100mm	✓	✓	✓	NA	✓	✓	NA	NA
LN-KDG-CMT-36UK-ZN		36U Cable Tray Zinc Plated W=100mm	✓	✓	✓	NA	✓	✓	NA	NA
LN-KDG-CMT-39UK-ZN		39U Cable Tray Zinc Plated W=100mm	✓	✓	✓	NA	✓	✓	NA	NA
LN-KDG-CMT-42UK-ZN		42U Cable Tray Zinc Plated W=100mm	✓	✓	✓	✓	✓	✓	✓	✓
LN-KDG-CMT-45UK-ZN		45U Cable Tray Zinc Plated W=100mm	✓	✓	✓	✓	✓	✓	✓	✓
LN-KDG-CMT-47UK-ZN		47U Cable Tray Zinc Plated W=100mm	✓	✓	✓	✓	✓	✓	✓	✓
LN-KDG-CMT-12UK-ZN-200		Steel-Galvanized Vertical Cable Tray Multi Slotted	12U Cable Tray Zinc Plated W=200mm Multi Slotted version	✓	✓	NA	NA	NA	NA	NA
LN-KDG-CMT-16UK-ZN-200	16U Cable Tray Zinc Plated W=200mm Multi Slotted version		✓	✓	NA	NA	NA	NA	NA	NA
LN-KDG-CMT-20UK-ZN-200	20U Cable Tray Zinc Plated W=200mm Multi Slotted version		✓	✓	NA	NA	NA	NA	NA	NA
LN-KDG-CMT-22UK-ZN-200	22U Cable Tray Zinc Plated W=200mm Multi Slotted version		✓	✓	✓	NA	✓	✓	NA	NA
LN-KDG-CMT-26UK-ZN-200	26U Cable Tray Zinc Plated W=200mm Multi Slotted version		✓	✓	✓	NA	✓	✓	NA	NA
LN-KDG-CMT-32UK-ZN-200	32U Cable Tray Zinc Plated W=200mm Multi Slotted version		✓	✓	✓	NA	✓	✓	NA	NA
LN-KDG-CMT-36UK-ZN-200	36U Cable Tray Zinc Plated W=200mm Multi Slotted version		✓	✓	✓	NA	✓	✓	NA	NA
LN-KDG-CMT-39UK-ZN-200	39U Cable Tray Zinc Plated W=200mm Multi Slotted version		✓	✓	✓	NA	✓	✓	NA	NA
LN-KDG-CMT-42UK-ZN-200	42U Cable Tray Zinc Plated W=200mm Multi Slotted version		✓	✓	✓	✓	✓	✓	✓	✓
LN-KDG-CMT-45UK-ZN-200	45U Cable Tray Zinc Plated W=200mm Multi Slotted version		✓	✓	✓	✓	✓	✓	✓	✓
LN-KDG-CMT-47UK-ZN-200	47U Cable Tray Zinc Plated W=200mm Multi Slotted version		✓	✓	✓	✓	✓	✓	✓	✓
LN-KDG-CMT-12UK-ZN-300	Steel-Galvanized Vertical Cable Tray Multi Slotted		12U Cable Tray Zinc Plated W=300mm Multi Slotted version	✓	✓	NA	NA	NA	NA	NA
LN-KDG-CMT-16UK-ZN-300		16U Cable Tray Zinc Plated W=300mm Multi Slotted version	✓	✓	NA	NA	NA	NA	NA	NA
LN-KDG-CMT-20UK-ZN-300		20U Cable Tray Zinc Plated W=300mm Multi Slotted version	✓	✓	NA	NA	NA	NA	NA	NA
LN-KDG-CMT-22UK-ZN-300		22U Cable Tray Zinc Plated W=300mm Multi Slotted version	✓	✓	✓	NA	✓	✓	NA	NA
LN-KDG-CMT-26UK-ZN-300		26U Cable Tray Zinc Plated W=300mm Multi Slotted version	✓	✓	✓	NA	✓	✓	NA	NA
LN-KDG-CMT-32UK-ZN-300		32U Cable Tray Zinc Plated W=300mm Multi Slotted version	✓	✓	✓	NA	✓	✓	NA	NA
LN-KDG-CMT-36UK-ZN-300		36U Cable Tray Zinc Plated W=300mm Multi Slotted version	✓	✓	✓	NA	✓	✓	NA	NA
LN-KDG-CMT-39UK-ZN-300		39U Cable Tray Zinc Plated W=300mm Multi Slotted version	✓	✓	✓	NA	✓	✓	NA	NA
LN-KDG-CMT-42UK-ZN-300		42U Cable Tray Zinc Plated W=300mm Multi Slotted version	✓	✓	✓	✓	✓	✓	✓	✓
LN-KDG-CMT-45UK-ZN-300		45U Cable Tray Zinc Plated W=300mm Multi Slotted version	✓	✓	✓	✓	✓	✓	✓	✓
LN-KDG-CMT-47UK-ZN-300		47U Cable Tray Zinc Plated W=300mm Multi Slotted version	✓	✓	✓	✓	✓	✓	✓	✓

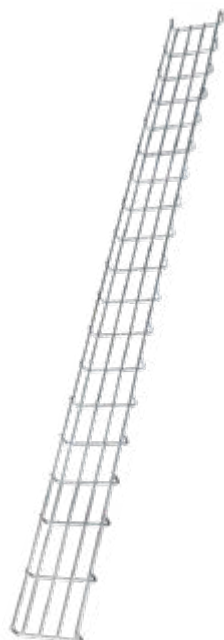
* ZN= part numbered products has no paint application, ZN means ZINC COATING, therefore no color selection needed.
 ✓ Means compatible to use with, (-) means not usable, NA means no any rack U height available for mentioned sizes (WxD mm).

19" DYNAmic

Free Standing Cabinets



LN-KDG-CMT-45UK-WM-1525



LN-KDG-CMT-45UK-WM-1535



LN-KDG-CMT-45UK-WM-2025

Additionally there are wire mesh trays W150 mm, W200 mm, W300 mm and W400 mm for your selection and preparing a very lean cable management inside cabinets. Please select D25 mm deep wire mesh trays for width 600 mm cabinets as the space at sides of 19" rails is limited. Compatibility chart below provides that information.

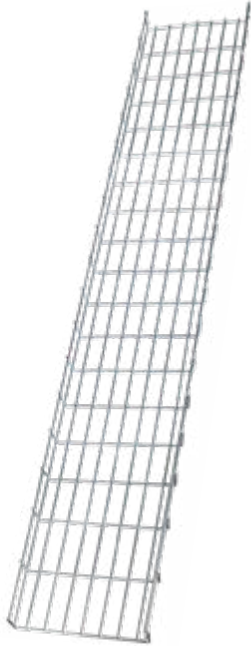
Wire Mesh Cable Trays

Product Number	Product Model	Product Description	19" DYNAmic Free Standing Cabinets Comptible With								
			600x600 mm	600x800 mm	600x1000 mm	600x1200 mm	800x600 mm	800x800 mm	800x1000 mm	800x1200 mm	
LN-KDG-CMT-12UK-WM-1525	Steel-Galvanized Vertical Wire Mesh Cable Tray W150 x D25 mm	12U Cable Tray Zinc Plated W=150mm D:25mm Wire Mesh Basket Tray	✓	✓	NA	NA	NA	NA	NA	NA	NA
LN-KDG-CMT-16UK-WM-1525		16U Cable Tray Zinc Plated W=150mm D:25mm Wire Mesh Basket Tray	✓	✓	NA	NA	NA	NA	NA	NA	NA
LN-KDG-CMT-20UK-WM-1525		20U Cable Tray Zinc Plated W=150mm D:25mm Wire Mesh Basket Tray	✓	✓	NA	NA	NA	NA	NA	NA	NA
LN-KDG-CMT-22UK-WM-1525		22U Cable Tray Zinc Plated W=150mm D:25mm Wire Mesh Basket Tray	✓	✓	✓	NA	✓	✓	NA	NA	NA
LN-KDG-CMT-26UK-WM-1525		26U Cable Tray Zinc Plated W=150mm D:25mm Wire Mesh Basket Tray	✓	✓	✓	NA	✓	✓	NA	NA	NA
LN-KDG-CMT-32UK-WM-1525		32U Cable Tray Zinc Plated W=150mm D:25mm Wire Mesh Basket Tray	✓	✓	✓	NA	✓	✓	NA	NA	NA
LN-KDG-CMT-36UK-WM-1525		36U Cable Tray Zinc Plated W=150mm D:25mm Wire Mesh Basket Tray	✓	✓	✓	NA	✓	✓	NA	NA	NA
LN-KDG-CMT-39UK-WM-1525		39U Cable Tray Zinc Plated W=150mm D:25mm Wire Mesh Basket Tray	✓	✓	✓	NA	✓	✓	NA	NA	NA
LN-KDG-CMT-42UK-WM-1525		42U Cable Tray Zinc Plated W=150mm D:25mm Wire Mesh Basket Tray	✓	✓	✓	✓	✓	✓	✓	✓	✓
LN-KDG-CMT-45UK-WM-1525		45U Cable Tray Zinc Plated W=150mm D:25mm Wire Mesh Basket Tray	✓	✓	✓	✓	✓	✓	✓	✓	✓
LN-KDG-CMT-47UK-WM-1525		47U Cable Tray Zinc Plated W=150mm D:25mm Wire Mesh Basket Tray	✓	✓	✓	✓	✓	✓	✓	✓	✓
LN-KDG-CMT-12UK-WM-1535		Steel-Galvanized Vertical Wire Mesh Cable Tray W150 x D35 mm	12U Cable Tray Zinc Plated W=150mm D:35mm Wire Mesh Basket Tray	-	-	NA	NA	NA	NA	NA	NA
LN-KDG-CMT-16UK-WM-1535	16U Cable Tray Zinc Plated W=150mm D:35mm Wire Mesh Basket Tray		-	-	NA	NA	NA	NA	NA	NA	NA
LN-KDG-CMT-20UK-WM-1535	20U Cable Tray Zinc Plated W=150mm D:35mm Wire Mesh Basket Tray		-	-	NA	NA	NA	NA	NA	NA	NA
LN-KDG-CMT-22UK-WM-1535	22U Cable Tray Zinc Plated W=150mm D:35mm Wire Mesh Basket Tray		-	-	-	NA	✓	✓	NA	NA	NA
LN-KDG-CMT-26UK-WM-1535	26U Cable Tray Zinc Plated W=150mm D:35mm Wire Mesh Basket Tray		-	-	-	NA	✓	✓	NA	NA	NA
LN-KDG-CMT-32UK-WM-1535	32U Cable Tray Zinc Plated W=150mm D:35mm Wire Mesh Basket Tray		-	-	-	NA	✓	✓	NA	NA	NA
LN-KDG-CMT-36UK-WM-1535	36U Cable Tray Zinc Plated W=150mm D:35mm Wire Mesh Basket Tray		-	-	-	NA	✓	✓	NA	NA	NA
LN-KDG-CMT-39UK-WM-1535	39U Cable Tray Zinc Plated W=150mm D:35mm Wire Mesh Basket Tray		-	-	-	NA	✓	✓	NA	NA	NA
LN-KDG-CMT-42UK-WM-1535	42U Cable Tray Zinc Plated W=150mm D:35mm Wire Mesh Basket Tray		-	-	-	-	✓	✓	✓	✓	✓
LN-KDG-CMT-45UK-WM-1535	45U Cable Tray Zinc Plated W=150mm D:35mm Wire Mesh Basket Tray		-	-	-	-	✓	✓	✓	✓	✓
LN-KDG-CMT-47UK-WM-1535	47U Cable Tray Zinc Plated W=150mm D:35mm Wire Mesh Basket Tray		-	-	-	-	✓	✓	✓	✓	✓
LN-KDG-CMT-12UK-WM-2025	Steel-Galvanized Vertical Wire Mesh Cable Tray W200 x D25 mm		12U Cable Tray Zinc Plated W=200mm D:25mm Wire Mesh Basket Tray	✓	✓	NA	NA	NA	NA	NA	NA
LN-KDG-CMT-16UK-WM-2025		16U Cable Tray Zinc Plated W=200mm D:25mm Wire Mesh Basket Tray	✓	✓	NA	NA	NA	NA	NA	NA	NA
LN-KDG-CMT-20UK-WM-2025		20U Cable Tray Zinc Plated W=200mm D:25mm Wire Mesh Basket Tray	✓	✓	NA	NA	NA	NA	NA	NA	NA
LN-KDG-CMT-22UK-WM-2025		22U Cable Tray Zinc Plated W=200mm D:25mm Wire Mesh Basket Tray	✓	✓	✓	NA	✓	✓	NA	NA	NA
LN-KDG-CMT-26UK-WM-2025		26U Cable Tray Zinc Plated W=200mm D:25mm Wire Mesh Basket Tray	✓	✓	✓	NA	✓	✓	NA	NA	NA
LN-KDG-CMT-32UK-WM-2025		32U Cable Tray Zinc Plated W=200mm D:25mm Wire Mesh Basket Tray	✓	✓	✓	NA	✓	✓	NA	NA	NA
LN-KDG-CMT-36UK-WM-2025		36U Cable Tray Zinc Plated W=200mm D:25mm Wire Mesh Basket Tray	✓	✓	✓	NA	✓	✓	NA	NA	NA
LN-KDG-CMT-39UK-WM-2025		39U Cable Tray Zinc Plated W=200mm D:25mm Wire Mesh Basket Tray	✓	✓	✓	NA	✓	✓	NA	NA	NA
LN-KDG-CMT-42UK-WM-2025		42U Cable Tray Zinc Plated W=200mm D:25mm Wire Mesh Basket Tray	✓	✓	✓	✓	✓	✓	✓	✓	✓
LN-KDG-CMT-45UK-WM-2025		45U Cable Tray Zinc Plated W=200mm D:25mm Wire Mesh Basket Tray	✓	✓	✓	✓	✓	✓	✓	✓	✓
LN-KDG-CMT-47UK-WM-2025		47U Cable Tray Zinc Plated W=200mm D:25mm Wire Mesh Basket Tray	✓	✓	✓	✓	✓	✓	✓	✓	✓

** WM= part numbered products has no paint application, WM means ZINC COATED WIRE MESH, therefore no color selection needed.
 ✓ Means compatible to use with, (-) means not usable, NA means no any rack U height available for mentioned sizes (WxD mm).

19" DYNAmic

Free Standing Cabinets



LN-KDG-CMT-45UK-WM-3050



LN-KDG-CMT-45UK-WM-4050

W300 mm and W400 mm for your selection and preparing a very lean cable management inside mostly for high density network cable management on W800 mm cabinets.

Wire Mesh Cable Trays

Product Number	Product Model	Product Description	19" DYNAmic Free Standing Cabinets Comptible With									
			600x600 mm	600x800 mm	600x1000 mm	600x1200 mm	800x600 mm	800x800 mm	800x1000 mm	800x1200 mm		
LN-KDG-CMT-12UK-WM-3050	Steel-Galvanized Vertical Wire Mesh Cable Tray W300 x D50 mm	12U Cable Tray Zinc Plated W=300mm D:50mm Wire Mesh Basket Tray	-	-	NA	NA	NA	NA	NA	NA	NA	
LN-KDG-CMT-16UK-WM-3050		16U Cable Tray Zinc Plated W=300mm D:50mm Wire Mesh Basket Tray	-	-	NA	NA	NA	NA	NA	NA	NA	
LN-KDG-CMT-20UK-WM-3050		20U Cable Tray Zinc Plated W=300mm D:50mm Wire Mesh Basket Tray	-	-	NA	NA	NA	NA	NA	NA	NA	
LN-KDG-CMT-22UK-WM-3050		22U Cable Tray Zinc Plated W=300mm D:50mm Wire Mesh Basket Tray	-	-	-	NA	✓	✓	NA	NA	NA	
LN-KDG-CMT-26UK-WM-3050		26U Cable Tray Zinc Plated W=300mm D:50mm Wire Mesh Basket Tray	-	-	-	NA	✓	✓	NA	NA	NA	
LN-KDG-CMT-32UK-WM-3050		32U Cable Tray Zinc Plated W=300mm D:50mm Wire Mesh Basket Tray	-	-	-	NA	✓	✓	NA	NA	NA	
LN-KDG-CMT-36UK-WM-3050		36U Cable Tray Zinc Plated W=300mm D:50mm Wire Mesh Basket Tray	-	-	-	NA	✓	✓	NA	NA	NA	
LN-KDG-CMT-39UK-WM-3050		39U Cable Tray Zinc Plated W=300mm D:50mm Wire Mesh Basket Tray	-	-	-	NA	✓	✓	NA	NA	NA	
LN-KDG-CMT-42UK-WM-3050		42U Cable Tray Zinc Plated W=300mm D:50mm Wire Mesh Basket Tray	-	-	-	-	✓	✓	✓	✓	✓	
LN-KDG-CMT-45UK-WM-3050		45U Cable Tray Zinc Plated W=300mm D:50mm Wire Mesh Basket Tray	-	-	-	-	✓	✓	✓	✓	✓	
LN-KDG-CMT-47UK-WM-3050		47U Cable Tray Zinc Plated W=300mm D:50mm Wire Mesh Basket Tray	-	-	-	-	✓	✓	✓	✓	✓	
LN-KDG-CMT-12UK-WM-4050		Steel-Galvanized Vertical Wire Mesh Cable Tray W400 x D50 mm	12U Cable Tray Zinc Plated W=400mm D:50mm Wire Mesh Basket Tray	-	-	NA	NA	NA	NA	NA	NA	NA
LN-KDG-CMT-16UK-WM-4050			16U Cable Tray Zinc Plated W=400mm D:50mm Wire Mesh Basket Tray	-	-	NA	NA	NA	NA	NA	NA	NA
LN-KDG-CMT-20UK-WM-4050			20U Cable Tray Zinc Plated W=400mm D:50mm Wire Mesh Basket Tray	-	-	NA	NA	NA	NA	NA	NA	NA
LN-KDG-CMT-22UK-WM-4050	22U Cable Tray Zinc Plated W=400mm D:50mm Wire Mesh Basket Tray		-	-	-	NA	✓	✓	NA	NA	NA	
LN-KDG-CMT-26UK-WM-4050	26U Cable Tray Zinc Plated W=400mm D:50mm Wire Mesh Basket Tray		-	-	-	NA	✓	✓	NA	NA	NA	
LN-KDG-CMT-32UK-WM-4050	32U Cable Tray Zinc Plated W=400mm D:50mm Wire Mesh Basket Tray		-	-	-	NA	✓	✓	NA	NA	NA	
LN-KDG-CMT-36UK-WM-4050	36U Cable Tray Zinc Plated W=400mm D:50mm Wire Mesh Basket Tray		-	-	-	NA	✓	✓	NA	NA	NA	
LN-KDG-CMT-39UK-WM-4050	39U Cable Tray Zinc Plated W=400mm D:50mm Wire Mesh Basket Tray		-	-	-	NA	✓	✓	NA	NA	NA	
LN-KDG-CMT-42UK-WM-4050	42U Cable Tray Zinc Plated W=400mm D:50mm Wire Mesh Basket Tray		-	-	-	-	✓	✓	✓	✓	✓	
LN-KDG-CMT-45UK-WM-4050	45U Cable Tray Zinc Plated W=400mm D:50mm Wire Mesh Basket Tray		-	-	-	-	✓	✓	✓	✓	✓	
LN-KDG-CMT-47UK-WM-4050	47U Cable Tray Zinc Plated W=400mm D:50mm Wire Mesh Basket Tray		-	-	-	-	✓	✓	✓	✓	✓	

** WM= part numbered products has no paint application, WM means ZINC COATED WIRE MESH, therefore no color selection needed.
 ✓ Means compatible to use with, (-) means not usable, NA means no any rack U height available for mentioned sizes (WxD mm).

19" DYNAmic

Free Standing Cabinets

DYNAmic Series w:800 mm segment product range with vertical cable manager provides visually a lean and technically professional cabling work, where the main cable bundles are housed and hidden in the vertical cable manager trunks. Once needed to reach the specified cable is easier.



High Density Vertical Cable Management Trunking with Cable Management Fingers



Solid Metal Vertical Cable Management Trunking

Solid Metal Vertical Cable Management Trunking High Density Vertical Cable Management Trunking with Cable Management Fingers

Product Number	Product Model	Product Description	19" DYNAmic Free Standing Cabinets Comptible With							
			600x600 mm	600x800 mm	600x1000 mm	600x1200 mm	800x600 mm	800x800 mm	800x1000 mm	800x1200 mm
LN-KDG-ORG-22EU-CC	Solid Metal Vertical Cable Management Trunking	22U Metal Cable Management Panel Set Left/Right	-	-	-	NA	✓	✓	NA	NA
LN-KDG-ORG-26EU-CC		26U Metal Cable Management Panel Set Left/Right	-	-	-	NA	✓	✓	NA	NA
LN-KDG-ORG-32EU-CC		32U Metal Cable Management Panel Set Left/Right	-	-	-	NA	✓	✓	NA	NA
LN-KDG-ORG-36EU-CC		36U Metal Cable Management Panel Set Left/Right	-	-	-	NA	✓	✓	NA	NA
LN-KDG-ORG-39EU-CC		39U Metal Cable Management Panel Set Left/Right	-	-	-	NA	✓	✓	NA	NA
LN-KDG-ORG-42EU-CC		42U Metal Cable Management Panel Set Left/Right	-	-	-	-	✓	✓	✓	✓
LN-KDG-ORG-45EU-CC		45U Metal Cable Management Panel Set Left/Right	-	-	-	-	✓	✓	✓	✓
LN-KDG-ORG-47EU-CC		47U Metal Cable Management Panel Set Left/Right	-	-	-	-	✓	✓	✓	✓
LN-KDG-ORG-22HD-CC	High Density Vertical Cable Management Trunking with Cable Management Fingers	22U Aluminium Cover Cable Management Panel Set Left/Right, Finger Type	-	-	-	NA	✓	✓	NA	NA
LN-KDG-ORG-26HD-CC		26U Aluminium Cover Cable Management Panel Set Left/Right, Finger Type	-	-	-	NA	✓	✓	NA	NA
LN-KDG-ORG-32HD-CC		32U Aluminium Cover Cable Management Panel Set Left/Right, Finger Type	-	-	-	NA	✓	✓	NA	NA
LN-KDG-ORG-36HD-CC		36U Aluminium Cover Cable Management Panel Set Left/Right, Finger Type	-	-	-	NA	✓	✓	NA	NA
LN-KDG-ORG-39HD-CC		36U Aluminium Cover Cable Management Panel Set Left/Right, Finger Type	-	-	-	NA	✓	✓	NA	NA
LN-KDG-ORG-42HD-CC		42U Aluminium Cover Cable Management Panel Set Left/Right, Finger Type	-	-	-	-	✓	✓	✓	✓
LN-KDG-ORG-45HD-CC		45U Aluminium Cover Cable Management Panel Set Left/Right, Finger Type	-	-	-	-	✓	✓	✓	✓
LN-KDG-ORG-47HD-CC		47U Aluminium Cover Cable Management Panel Set Left/Right, Finger Type	-	-	-	-	✓	✓	✓	✓

** CC= Color Code, LG Light Grey RAL 7035, BL Black RAL 9005, please define the color of cabinet while ordering.

✓ Means compatible to use with, (-) means not usable, NA means no any rack U height available for mentioned sizes (WxD mm).

19" DYNAmic

Free Standing Cabinets

Width: 600 mm
Depth: 600 mm

Static Load Capacity Standard
Configuration: 600 kgs.

**U Height: 12U, 16U, 20U, 22U, 26U,
32U, 36U, 39U, 42U, 45U, 47U**

Standards and Compliances:



ISO 9001
Quality Management System

EN 61587-1
Mechanical Structures for
Electronic Equipment

EN IEC 60297, 19" Mounting
EN IEC 60917 Overall Cabinet
Dimensions

EN/IEC 60529 - IP20 Ingress Protection
performance

EN/IEC 62262 - IK07 Mechanical
Impact Resistance

EIA/ ECA-310 (D/E) 19" 482,6 mm
and U 44,45 mm Height Sizing



CE conform to
EN 60950-1
Information Technology
Equipment, Safety,
Part-1: General Requirement

EN IEC 62368-1 Audio/Video, Information
and Communication Technology Equipment
Part 1: Safety requirements



UL listed to
UL 2416, Outline of Investigation for
Audio/Video, Information and
Communication Technology Equipment
Cabinet, Enclosure and Rack
Systems; UL 60950-1 and CSA C22.2
NO. 60950-1-07, Information Technology
Equipment Safety
Part 1: General Requirements



Environment Friendly;
ISO 14001 Environmental
Management System
RoHS compliancy
%100 Recyclable Material



ISO 45001
The Occupational Health and Safety
Management System

Standard Color:



RAL 7035 Light Grey



RAL 9005 Black

Static Load Capacity Enhanced (E)
Configuration: Up to 1000 kgs.



DYNAmic Series Networking Enclosures, with 19" w:600 mm and d:600 mm physical sizes, with max internal usable depth and 11 different height, gives a wide selection chart for users.

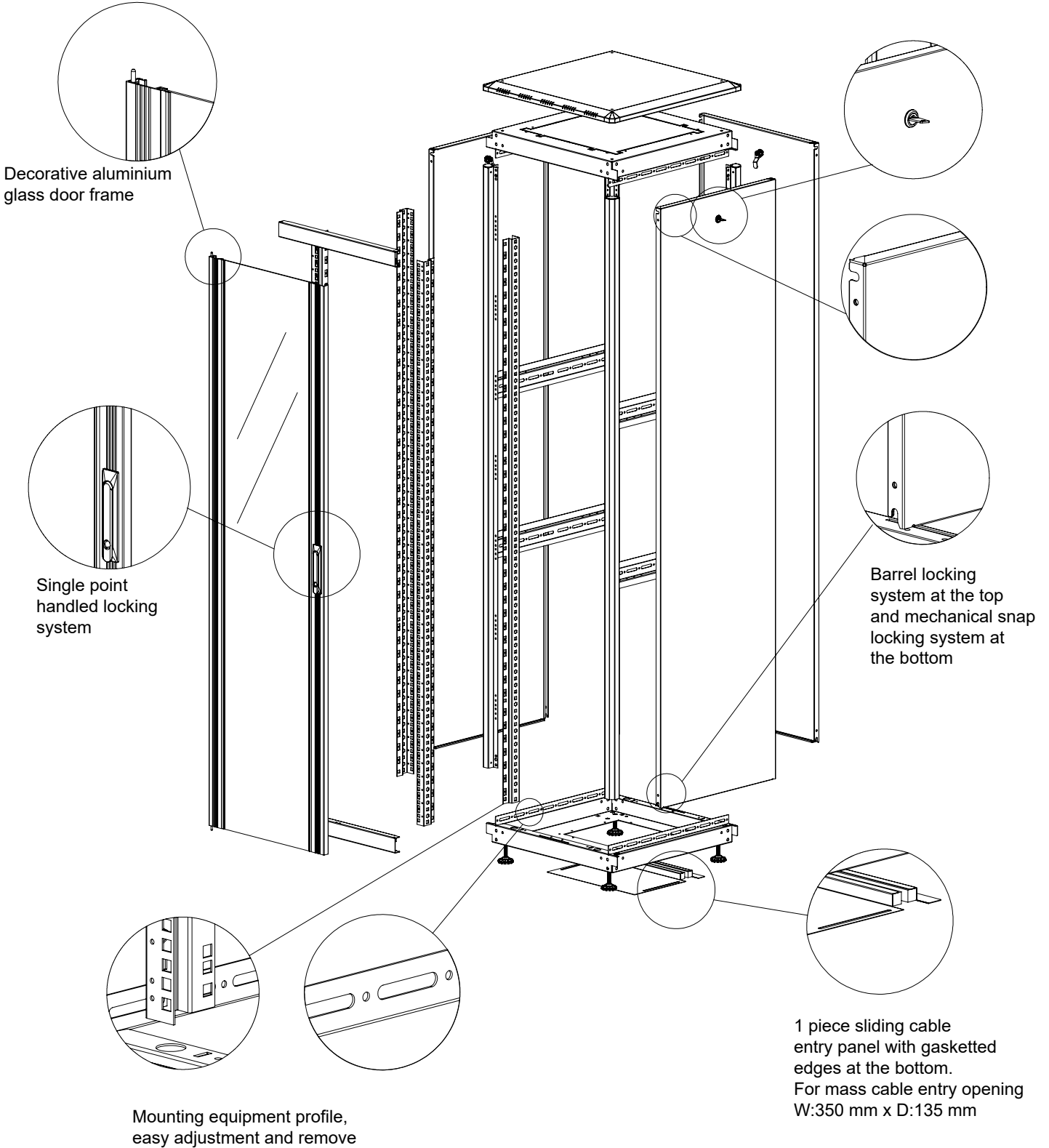
Please see door options in page 14 and 15.

19" DYNAmic

Free Standing Cabinets

Width: 600 mm
Depth: 600 mm

Exploded View

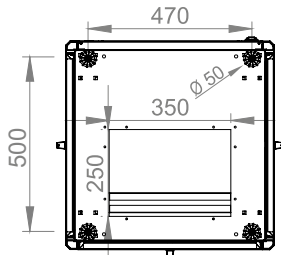


19" DYNAmic

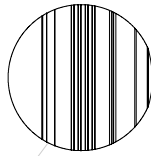
Free Standing Cabinets

Width: 600 mm
Depth: 600 mm

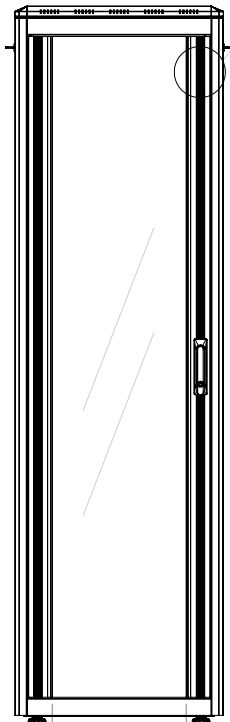
Construction Drawings



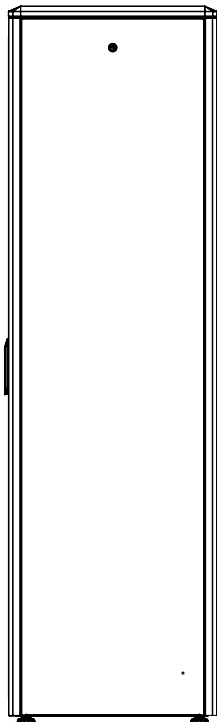
Bottom view



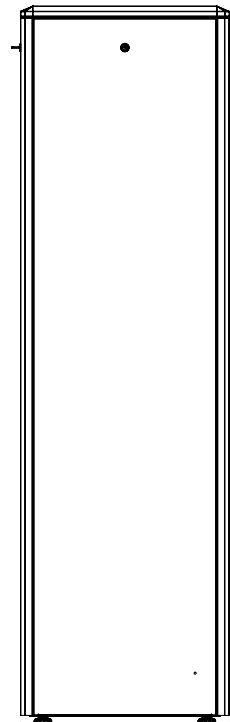
Detail view



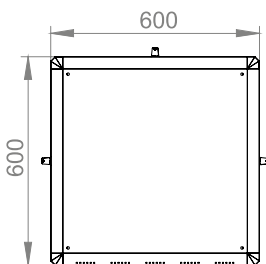
Front view



Side view



Rear view



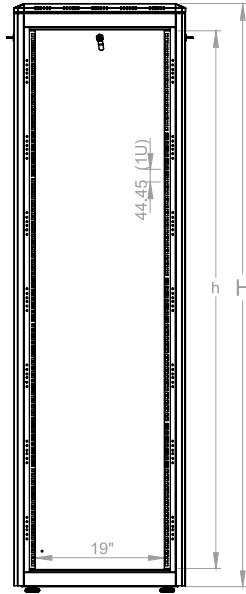
Top view

19" DYNAmic

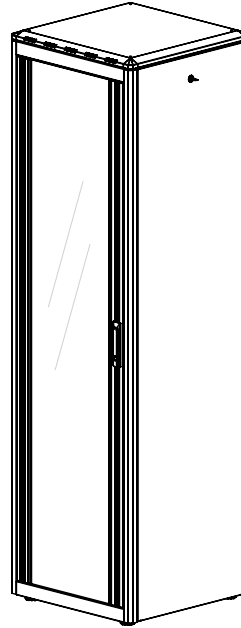
Free Standing Cabinets

Width: 600 mm
Depth: 600 mm

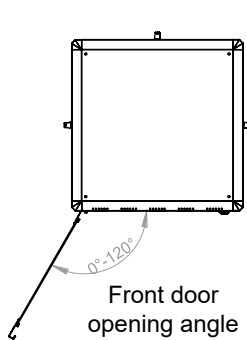
Construction Drawings



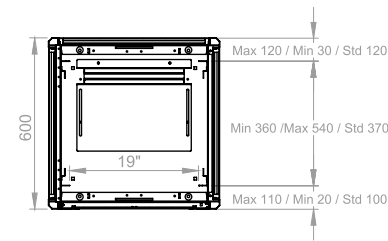
Dimensions in width and height



Isometric view



Front door opening angle



Max/std/min equipment mounting distance

	h	H
12U	533 mm	720 mm
16U	711 mm	898 mm
20U	889 mm	1076 mm
22U	978 mm	1164 mm
26U	1155 mm	1342 mm
32U	1422 mm	1609 mm
36U	1600 mm	1787 mm
39U	1733 mm	1920 mm
42U	1867 mm	2053 mm
45U	2000 mm	2187 mm
47U	2089 mm	2276 mm

19" DYNAmic Series Free Standing Cabinets W=600 mm D=600 mm

Product Number***	Product Description	Size WXDxH mm	h Size in U	h in mm	H mm, overall without feet and/or castor	Width Overall mm	Width Rail to Rail	Depth Overall mm	**Depth Shipping Conf. Rail to Rail mm	QTY IN PACKAGE	PACKING DIMENSIONS WXDxH mm	Standard NET Weight of Product kgs	Gross Weight of Product kgs	QTY IN PALLET	PALLET DIMENSIONS WXDxH mm	Pallet Weight kgs
LN-FS12U6060-CC-BAAA	12U 19" Free Standing Cabinet W=600 mm D=600 mm	600x600x720	12U	533	720	600	19"	600	370	1	680x680x850	35,7	42,9	2	680x680x1700	85,8
LN-FS16U6060-CC-BAAA	16U 19" Free Standing Cabinet W=600 mm D=600 mm	600x600x898	16U	711	898	600	19"	600	370	1	680x680x1020	40,9	48,5	2	680x680x2076	97
LN-FS20U6060-CC-BAAA	20U 19" Free Standing Cabinet W=600 mm D=600 mm	600x600x1076	20U	889	1076	600	19"	600	370	1	680x680x1216	45,2	53,2	2	680x680x2432	106,4
LN-FS22U6060-CC-BAAA	22U 19" Free Standing Cabinet W=600 mm D=600 mm	600x600x1164	22U	978	1164	600	19"	600	370	1	680x680x1305	47,9	56,1	2	680x680x2608	112,2
LN-FS26U6060-CC-BAAA	26U 19" Free Standing Cabinet W=600 mm D=600 mm	600x600x1342	26U	1155	1342	600	19"	600	370	1	680x680x1482	52,7	61,3	1	680x680x1482	61,3
LN-FS32U6060-CC-BAAA	32U 19" Free Standing Cabinet W=600 mm D=600 mm	600x600x1609	32U	1422	1609	600	19"	600	370	1	680x680x1749	60,9	70	1	680x680x1749	70
LN-FS36U6060-CC-BAAA	36U 19" Free Standing Cabinet W=600 mm D=600 mm	600x600x1787	36U	1600	1787	600	19"	600	370	1	680x680x1927	66,3	75,5	1	680x680x1927	75,9
LN-FS39U6060-CC-BAAA	39U 19" Free Standing Cabinet W=600 mm D=600 mm	600x600x1920	39U	1733	1920	600	19"	600	370	1	680x680x2063	69,6	79,7	1	680x680x2063	79,5
LN-FS42U6060-CC-BAAA	42U 19" Free Standing Cabinet W=600 mm D=600 mm	600x600x2053	42U	1867	2053	600	19"	600	370	1	680x680x2193	73,7	83,9	1	680x680x2193	83,9
LN-FS45U6060-CC-BAAA	45U 19" Free Standing Cabinet W=600 mm D=600 mm	600x600x2187	45U	2000	2187	600	19"	600	370	1	680x680x2327	77,3	87,8	1	680x680x2327	87,8
LN-FS47U6060-CC-BAAA	47U 19" Free Standing Cabinet W=600 mm D=600 mm	600x600x2276	47U	2089	2276	600	19"	600	370	1	680x680x2416	81,3	91,8	1	680x680x2416	91,8

* Please add 30 mm to H mm once used with leveling feet, add 80 mm to H mm once used with castor set.

** See min and max adjustable depth variations on drawings.

*** CC= LG for Light Grey RAL 7035 & BL for Black RAL 9005 for customers to define while ordering, for "BAAA" selection please see the door options.

*** Cabinet nominal load capacity is 600 kgs. as per UL 2416 safety mark. However project case we configure the rack up to 1000 kgs. of load capacity with additional suport barsticker 19" rails with 2 mm thickness, please add E (Enhanced notification defining load capacity requirement is up to 1000 kgs.) at the end of part number. Example LN-FS42U6060-BL-BAAA-E.

19" DYNAmic

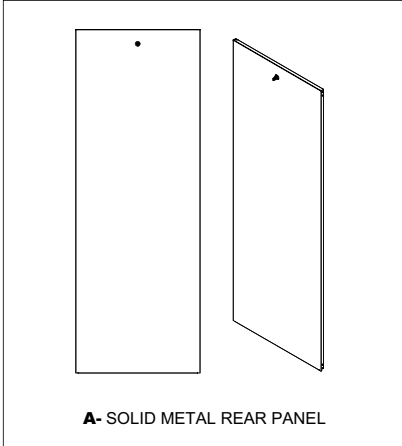
Free Standing Cabinets

Width: 600 mm
Depth: 600 mm

Door Options

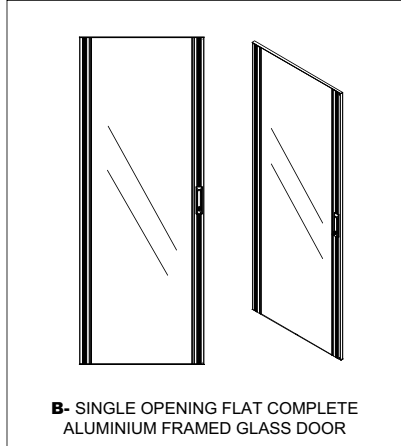
FRONT ❌

REAR ✔️



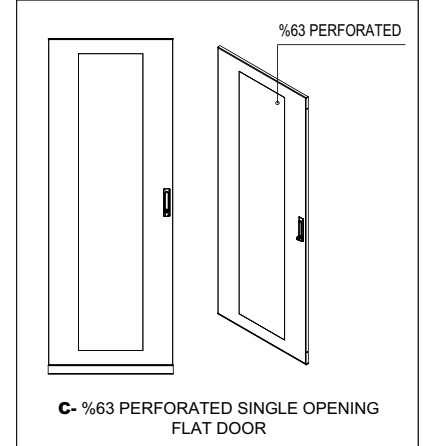
FRONT ✔️

REAR ❌



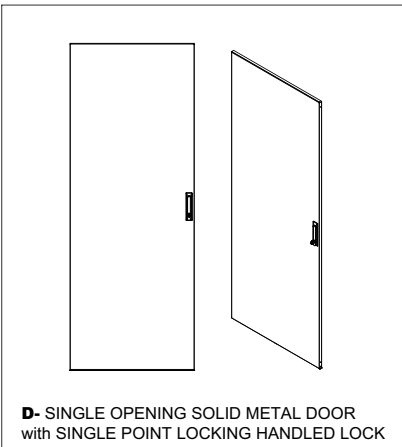
FRONT ✔️

REAR ✔️



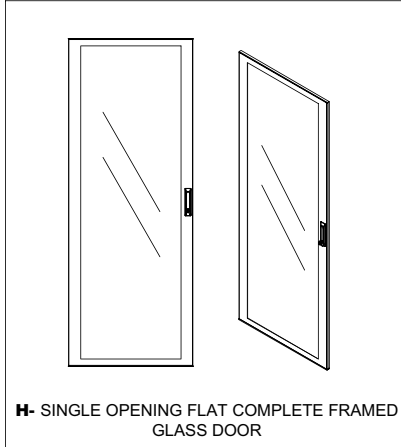
FRONT ✔️

REAR ✔️



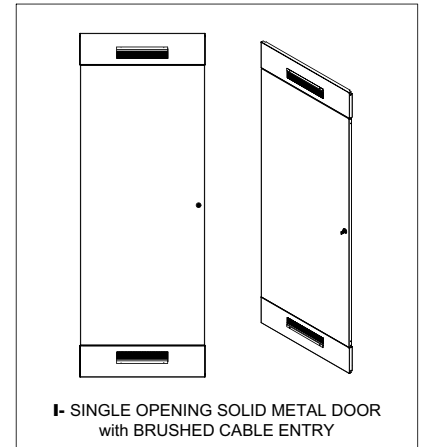
FRONT ✔️

REAR ❌



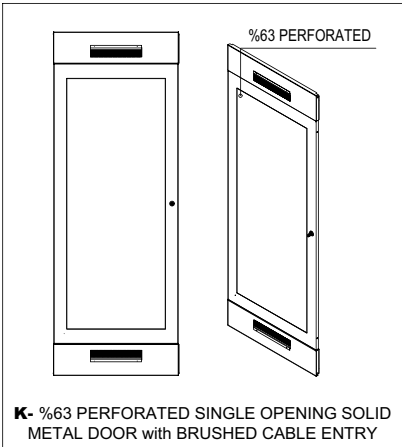
FRONT ❌

REAR ✔️



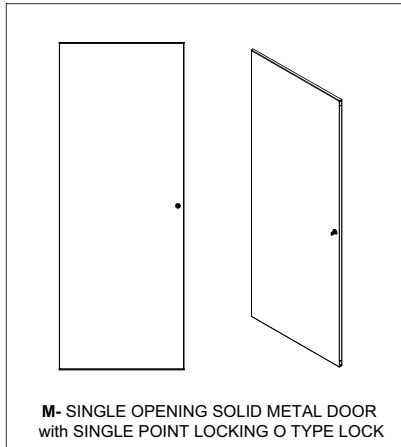
FRONT ❌

REAR ✔️



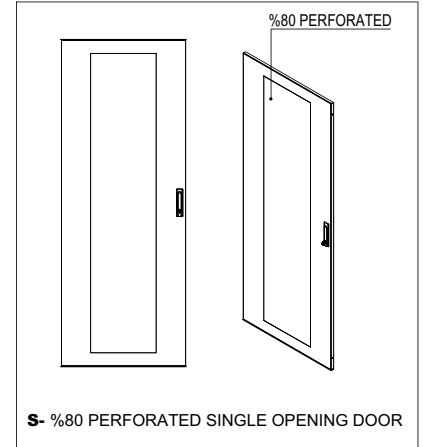
FRONT ❌

REAR ✔️



FRONT ✔️

REAR ✔️

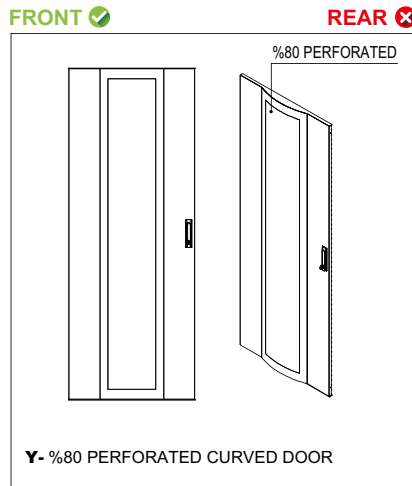
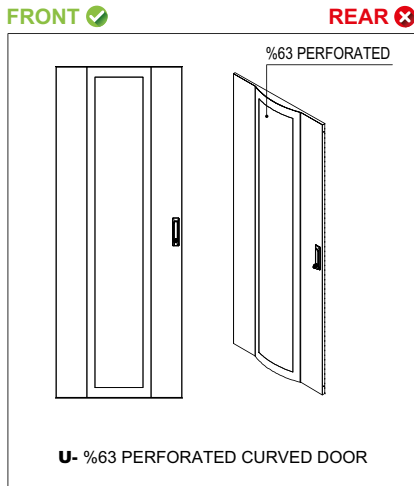


19" DYNAmic

Free Standing Cabinets

Width: 600 mm
Depth: 600 mm

Door Options



DYNAmic Free Standing Cabinet W=600 mm D=600 mm All Heights FRONT DOOR Options	DYNAmic Free Standing Cabinet W=600 mm D=600 mm All Heights REAR DOOR Options	DYNAmic Free Standing Cabinet W=600 mm D=600 mm All Heights SIDE PANEL Options
<p>B Single opening flat complete aluminium framed glass door</p> <p>C %63 perforated single opening flat door</p> <p>D Single opening solid metal door</p> <p>H Single opening flat complete framed glass door</p> <p>S %80 perforated single opening door</p> <p>U %63 perforated curved door</p> <p>Y %80 perforated curved door</p> <p>Z Single opening metal side framed glass door</p>	<p>A Solid metal rear panel</p> <p>C %63 perforated single opening flat door</p> <p>D Single opening solid metal door</p> <p>I Single opening solid metal door with brushed cable entry</p> <p>K %63 perforated single opening solid metal door with brushed cable entry</p> <p>M Single opening solid metal with header compatible</p> <p>S %80 perforated single opening door</p>	<p>AA Both sides equipped with standard side panels</p> <p>A0 One side panel on cabinet</p> <p>00 No side panels on cabinet</p>
LN-AA - XXU - WW - DD - CC - (E optional)		0 0 00
<p>LN: Corporate codification beginning letters mentioning Lande in Short Format as LN</p> <p>AA: Family group of enclosure; FS for networking enclosures range</p> <p>XX: Numeric character defining the height of enclosures, depending on model differences between 12 to 47 to be selected from price list, website or catalogue</p> <p>U: U height alphanumeric notation, concrete (non editable- fixed character)</p> <p>WW: The first 2 digits of the width info, 60 for W=600 mm cabinets</p> <p>DD: The first 2 digits of the depth info, 60 for D=600 mm cabinets</p> <p>CC: Color code, LG for Light Grey RAL 7035, BL for Black RAL 9005</p> <p>E: Optional code extension for enhanced static load capacity up to 1000 kgs.</p>		<p>C-D-H-S-U-Y-Z options, unless defined B type door will be in shipping configuration.</p> <p>C-D-I-K-M-S options, unless defined A type door will be in shipping configuration.</p> <p>AA both sides equipped with standard side panels A0 one side panel on cabinet 00 no side panels on cabinet.</p>

19" DYNAmic

Free Standing Cabinets

Width: 600 mm
Depth: 800 mm

**Static Load Capacity Standard
Configuration: 600 kgs.**

**U Height: 12U, 16U, 20U, 22U, 26U,
32U, 36U, 39U, 42U, 45U, 47U**

Standards and Compliances:



**ISO 9001
Quality Management System**

EN 61587-1
Mechanical Structures for
Electronic Equipment

EN IEC 60297, 19" Mounting
EN IEC 60917 Overall Cabinet
Dimensions

EN/IEC 60529 - IP20 Ingress Protection
performance

EN/IEC 62262 - IK07 Mechanical
Impact Resistance

EIA/ ECA-310 (D/E) 19" 482,6 mm
and U 44,45 mm Height Sizing



CE conform to
EN 60950-1
Information Technology
Equipment, Safety,
Part-1: General Requirement

EN IEC 62368-1 Audio/Video, Information
and Communication Technology Equipment
Part 1: Safety requirements



UL listed to
UL 2416, Outline of Investigation for
Audio/Video, Information and
Communication Technology Equipment
Cabinet, Enclosure and Rack
Systems; UL 60950-1 and CSA C22.2
NO. 60950-1-07, Information Technology
Equipment Safety
Part 1: General Requirements



Environment Friendly;
ISO 14001 Environmental
Management System
RoHS compliance
%100 Recyclable Material



**ISO 45001
The Occupational Health and Safety
Management System**

Standard Color:



RAL 7035 Light Grey



RAL 9005 Black

**Static Load Capacity Enhanced (E)
Configuration: Up to 1000 kgs.**



DYNAmic Series Networking Enclosures, with 19" w:600 mm and d:800 mm physical sizes, with max internal usable depth and 11 different height, gives a wide selection chart for users.

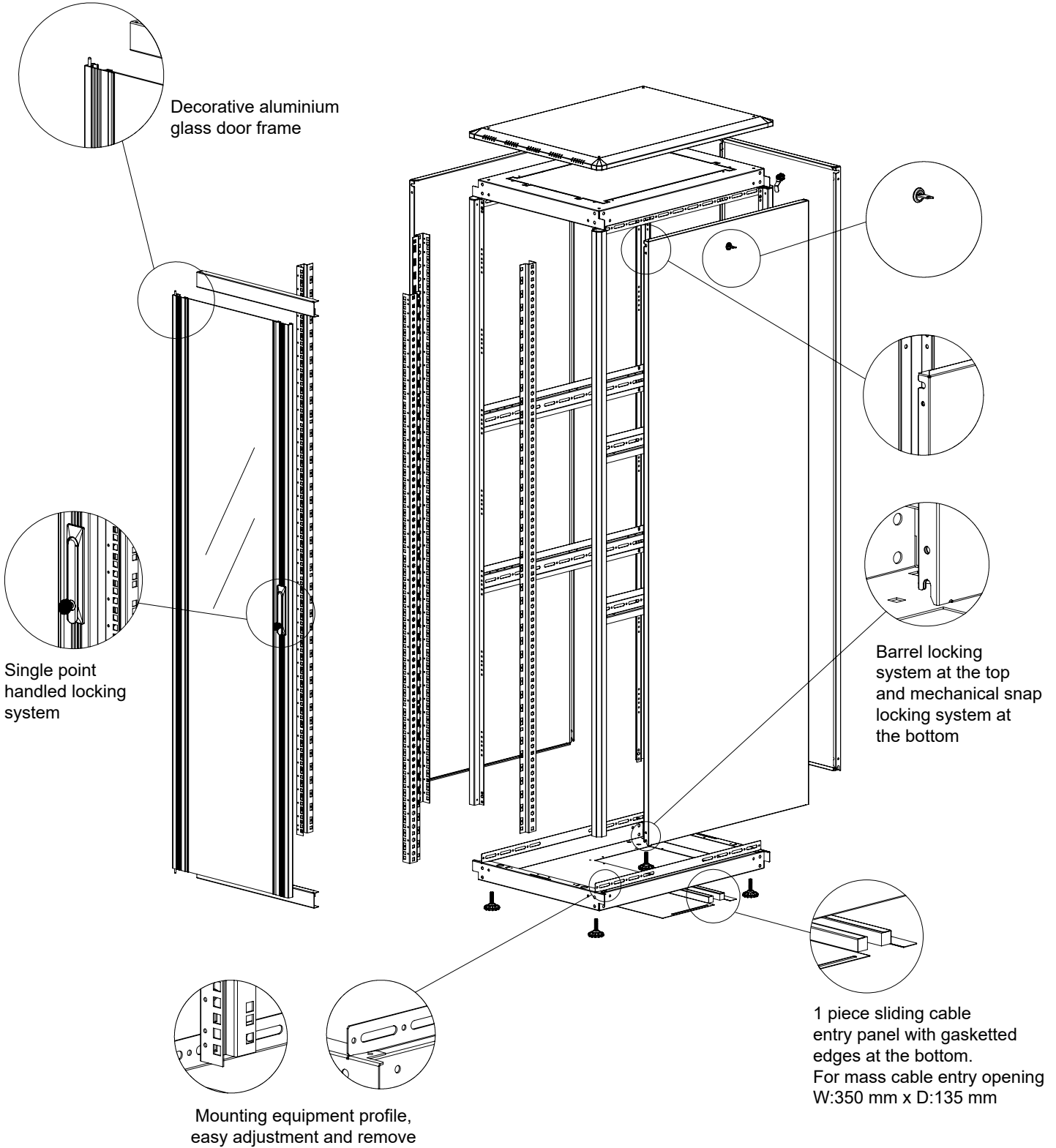
Please see door options in page 20 and 21.

19" DYNAmic

Free Standing Cabinets

Width: 600 mm
Depth: 800 mm

Exploded View

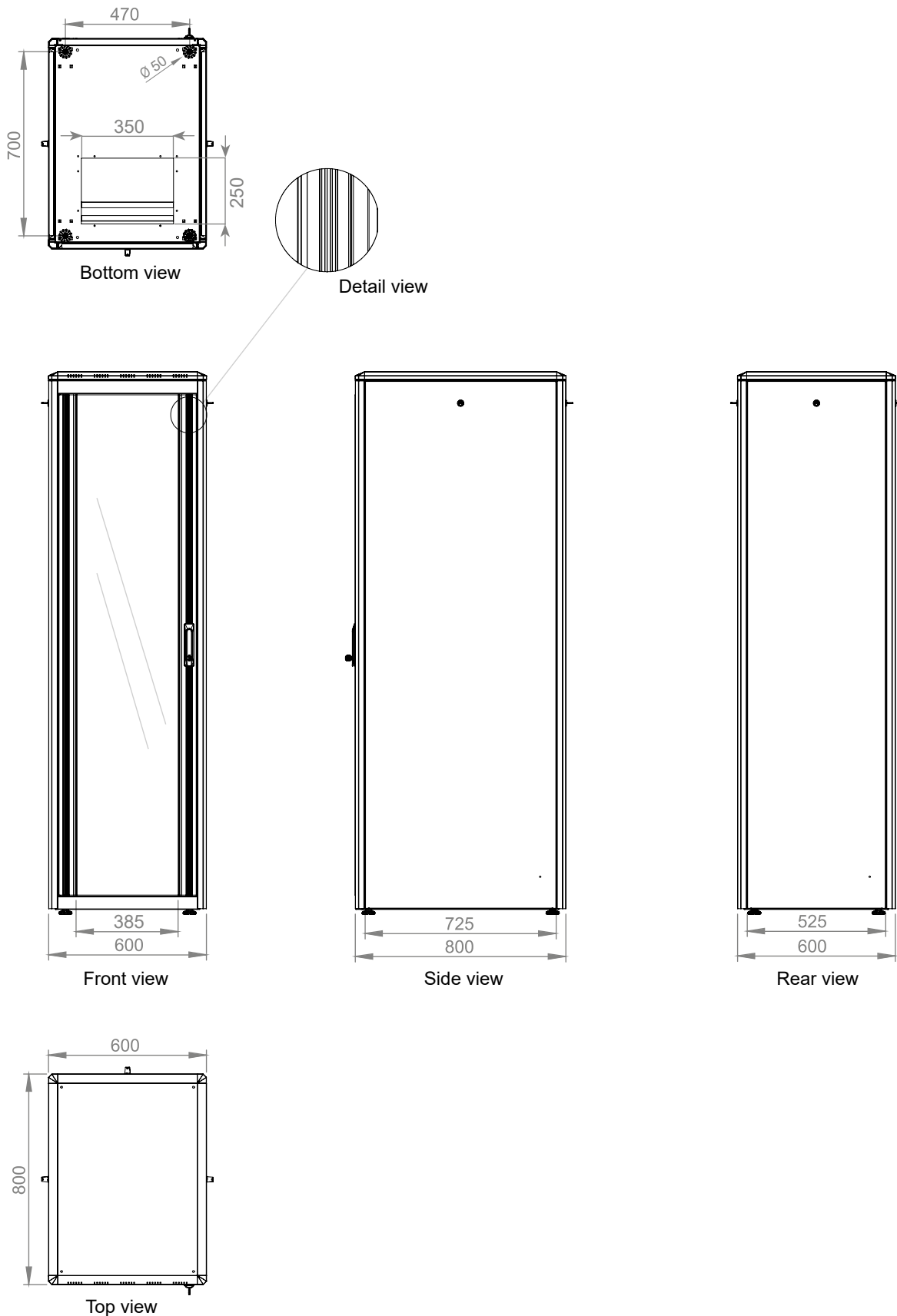


19" DYNAmic

Free Standing Cabinets

Width: 600 mm
Depth: 800 mm

Construction Drawings

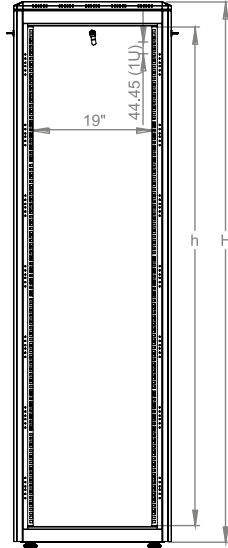


19" DYNAmic

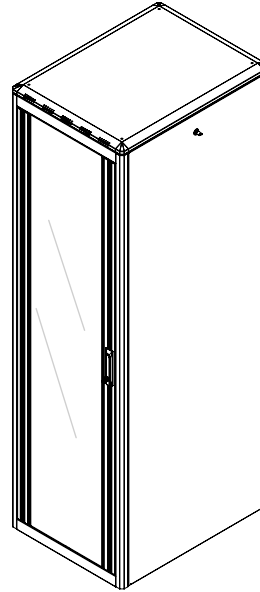
Free Standing Cabinets

Width: 600 mm
Depth: 800 mm

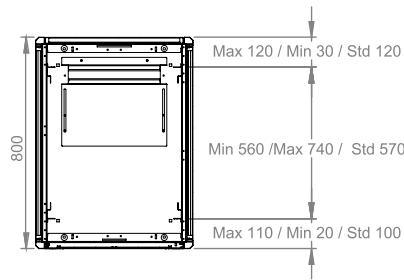
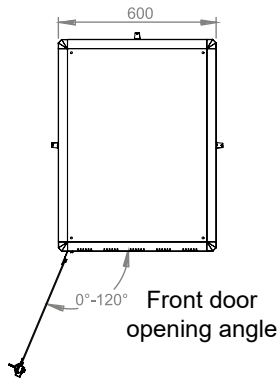
Construction Drawings



Dimensions in width and height



Isometric view



Max/std/min equipment mounting distance

	h	H
12U	533 mm	720 mm
16U	711 mm	898 mm
20U	889 mm	1076 mm
22U	978 mm	1164 mm
26U	1155 mm	1342 mm
32U	1422 mm	1609 mm
36U	1600 mm	1787 mm
39U	1733 mm	1920 mm
42U	1867 mm	2053 mm
45U	2000 mm	2187 mm
47U	2089 mm	2276 mm

19" DYNAmic Series Free Standing Cabinets W=600 mm D=800 mm

Product Number***	Product Description	Size WxDxH mm	h Size in U	h in mm	*H mm, overall without feet and/or castor	Width Overall mm	Width Rail to Rail	Depth Overall mm	**Depth, Shipping Conf: Rail to Rail mm	QTY IN PACKAGE	PACKING DIMENSIONS WxDxH mm	Standard NET Weight of Product kgs	Gross Weight of Product kgs	QTY IN PALLET	PALLET DIMENSIONS WxDxH mm	Pallet Weight kgs
LN-FS12U6080-CC-BAAA	12U 19" Free Standing Cabinet W=600 mm D=800 mm	600x800x720	12U	533	720	600	19"	800	570	1	680x880x850	42,2	49,6	2	680x880x1700	99,2
LN-FS16U6080-CC-BAAA	16U 19" Free Standing Cabinet W=600 mm D=800 mm	600x800x898	16U	711	898	600	19"	800	570	1	680x880x1020	48	55,9	2	680x880x2076	111,8
LN-FS20U6080-CC-BAAA	20U 19" Free Standing Cabinet W=600 mm D=800 mm	600x800x1076	20U	889	1076	600	19"	800	570	1	680x880x1216	55,6	61,2	2	680x880x2432	122,4
LN-FS22U6080-CC-BAAA	22U 19" Free Standing Cabinet W=600 mm D=800 mm	600x800x1164	22U	978	1164	600	19"	800	570	1	680x880x1305	58,6	64,2	2	680x880x2608	128,4
LN-FS26U6080-CC-BAAA	26U 19" Free Standing Cabinet W=600 mm D=800 mm	600x800x1342	26U	1155	1342	600	19"	800	570	1	680x880x1482	60,7	69,8	1	680x880x1482	71,8
LN-FS32U6080-CC-BAAA	32U 19" Free Standing Cabinet W=600 mm D=800 mm	600x800x1609	32U	1422	1609	600	19"	800	570	1	680x880x1749	70	79,9	1	680x880x1749	81,9
LN-FS36U6080-CC-BAAA	36U 19" Free Standing Cabinet W=600 mm D=800 mm	600x800x1787	36U	1600	1787	600	19"	800	570	1	680x880x1927	76,1	86,4	1	680x880x1927	88,4
LN-FS39U6080-CC-BAAA	39U 19" Free Standing Cabinet W=600 mm D=800 mm	600x800x1920	39U	1733	1920	600	19"	800	570	1	680x880x2063	79,3	90	1	680x880x2063	92,1
LN-FS42U6080-CC-BAAA	42U 19" Free Standing Cabinet W=600 mm D=800 mm	600x800x2053	42U	1867	2053	600	19"	800	570	1	680x880x2193	83,7	94,7	1	680x880x2193	96,8
LN-FS45U6080-CC-BAAA	45U 19" Free Standing Cabinet W=600 mm D=800 mm	600x800x2187	45U	2000	2187	600	19"	800	570	1	680x880x2327	87,9	99,3	1	680x880x2327	101,3
LN-FS47U6080-CC-BAAA	47U 19" Free Standing Cabinet W=600 mm D=800 mm	600x800x2276	47U	2089	2276	600	19"	800	570	1	680x880x2416	92,9	104	1	680x880x2416	104

* Please add 30 mm to H mm once used with leveling feet, add 80 mm to H mm once used with castor set.

** See min and max adjustable depth variations on drawings.

***CC= LG for Light Grey RAL 7035 & BL for Black RAL 9005 for customers to define while ordering, for "BAAA" selection please see the door options.

***Cabinet nominal load capacity is 600 kgs. as per UL 2416 safety mark. However project case we configure the rack up to 1000 kgs. of load capacity with additional suport barsticker 19" rails with 2 mm thickness, please add E (Enhanced notification defining load capacity requirement is up to 1000 kgs.) at the end of part number. Example LN-FS42U6080-BL-BAAA-E.

19" DYNAmic

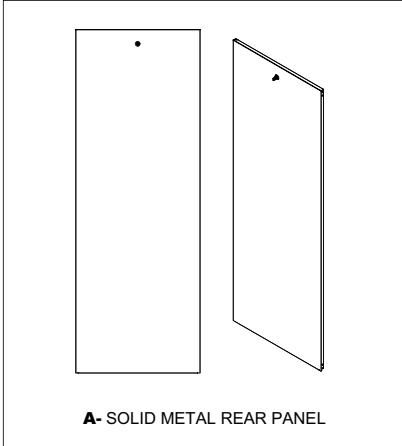
Free Standing Cabinets

Width: 600 mm
Depth: 800 mm

Door Options

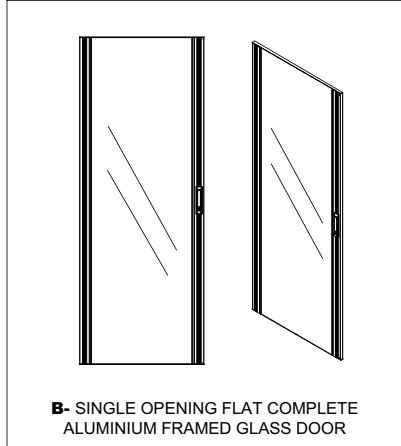
FRONT ❌

REAR ✔️



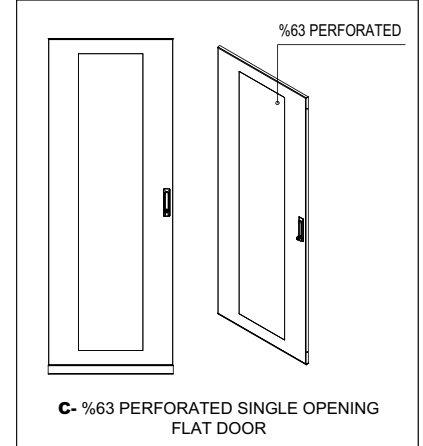
FRONT ✔️

REAR ❌



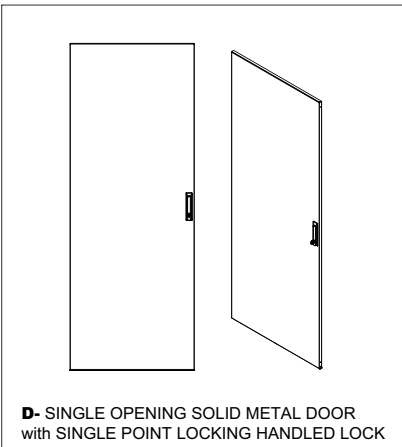
FRONT ✔️

REAR ✔️



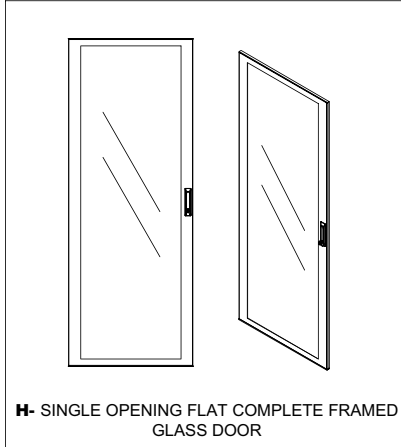
FRONT ✔️

REAR ✔️



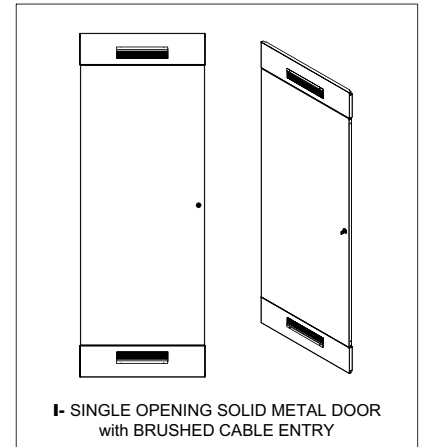
FRONT ✔️

REAR ❌



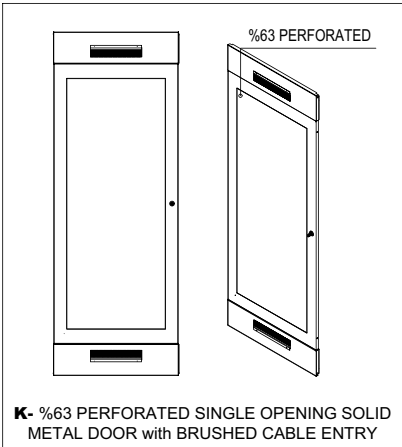
FRONT ❌

REAR ✔️



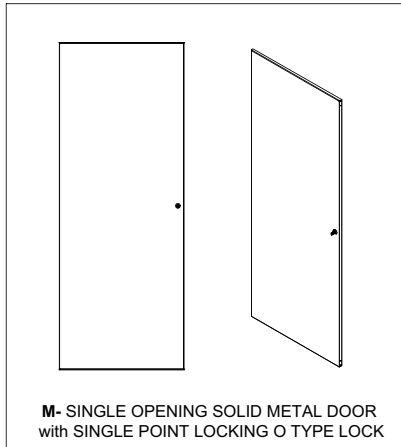
FRONT ❌

REAR ✔️



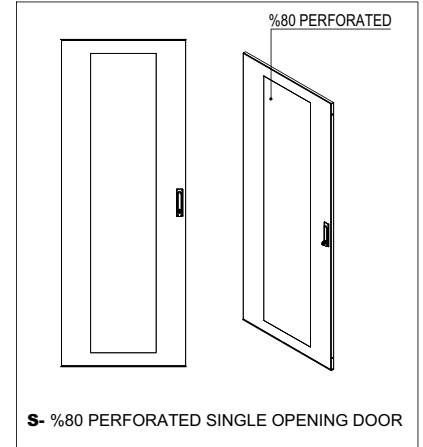
FRONT ❌

REAR ✔️



FRONT ✔️

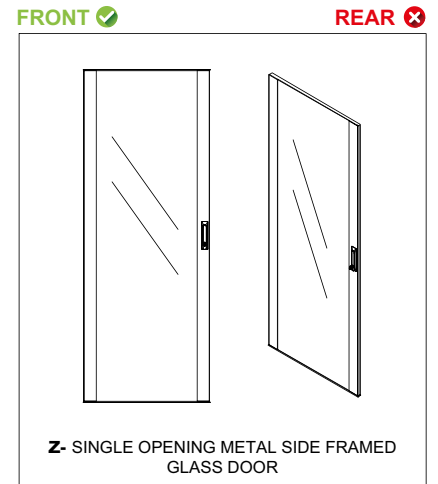
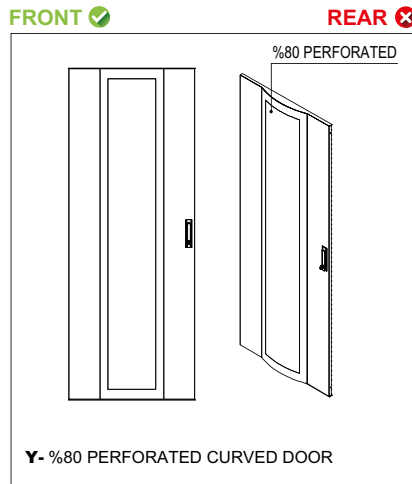
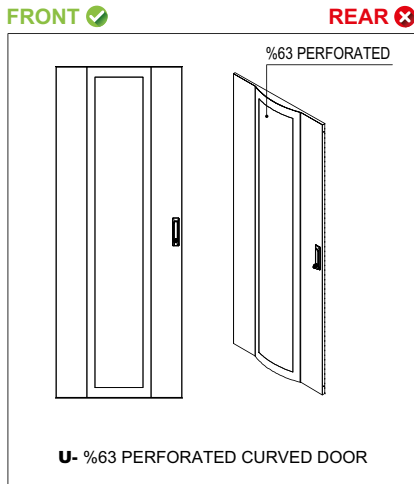
REAR ✔️



19" DYNAmic Free Standing Cabinets

Width: 600 mm
Depth: 800 mm

Door Options



DYNAmic Free Standing Cabinet W=600 mm D=800 mm All Heights FRONT DOOR Options	DYNAmic Free Standing Cabinet W=600 mm D=800 mm All Heights REAR DOOR Options	DYNAmic Free Standing Cabinet W=600 mm D=800 mm All Heights SIDE PANEL Options
<p>B Single opening flat complete aluminium framed glass door C %63 perforated single opening flat door D Single opening solid metal door H Single opening flat complete framed glass door S %80 perforated single opening door U %63 perforated curved door Y %80 perforated curved door Z Single opening metal side framed glass door</p>	<p>A Solid metal rear panel C %63 perforated single opening flat door D Single opening solid metal door I Single opening solid metal door with brushed cable entry K %63 perforated single opening solid metal door with brushed cable entry M Single opening solid metal with header compatible S %80 perforated single opening door</p>	<p>AA Both sides equipped with standard side panels A0 One side panel on cabinet 00 No side panels on cabinet</p>
<p>LN-AA - XXU - WW - DD - CC - (E optional)</p>		<p>0 0 00</p>
<p>LN: Corporate codification beginning letters mentioning Lande in Short Format as LN AA: Family group of enclosure; FS for networking enclosures range XX: Numeric character defining the height of enclosures, depending on model differences between 12 to 47 to be selected from price list, website or catalogue U: U height alphanumeric notation, concrete (non editable- fixed character) WW: The first 2 digits of the width info, 60 for W=600 mm cabinets DD: The first 2 digits of the depth info, 80 for D=800 mm cabinets CC: Color code, LG for Light Grey RAL 7035, BL for Black RAL 9005 E: Optional code extension for enhanced static load capacity up to 1000 kgs.</p>		<p>C-D-H-S-U-Y-Z options, unless defined B type door will be in shipping configuration.</p> <p>C-D-I-K-M-S options, unless defined A type door will be in shipping configuration.</p> <p>AA both sides equipped with standard side panels A0 one side panel on cabinet 00 no side panels on cabinet.</p>

19" DYNAmic

Free Standing Cabinets

Width: 600 mm
Depth: 1000 mm

Static Load Capacity Standard
Configuration: 600 kgs.

**U Height: 22U, 26U, 32U, 36U, 39U,
42U, 45U, 47U**

Standards and Compliances:



ISO 9001
Quality Management System

EN 61587-1
Mechanical Structures for
Electronic Equipment

EN IEC 60297, 19" Mounting
EN IEC 60917 Overall Cabinet
Dimensions

EN/IEC 60529 - IP20 Ingress Protection
performance

EN/IEC 62262 - IK07 Mechanical
Impact Resistance

EIA/ ECA-310 (D/E) 19" 482,6 mm
and U 44,45 mm Height Sizing



CE conform to
EN 60950-1
Information Technology
Equipment, Safety,
Part-1: General Requirement

EN IEC 62368-1 Audio/Video, Information
and Communication Technology Equipment
Part 1: Safety requirements



UL listed to
UL 2416, Outline of Investigation for
Audio/Video, Information and
Communication Technology Equipment
Cabinet, Enclosure and Rack
Systems; UL 60950-1 and CSA C22.2
NO. 60950-1-07, Information Technology
Equipment Safety
Part 1: General Requirements



Environment Friendly;
ISO 14001 Environmental
Management System
RoHS compliancy
%100 Recyclable Material



ISO 45001
**The Occupational Health and Safety
Management System**

Standard Color:



RAL 7035 Light Grey



RAL 9005 Black

Static Load Capacity Enhanced (E)
Configuration: Up to 1000 kgs.



DYNAmic Series Networking Enclosures, with 19" w:600 mm and d:1000 mm physical sizes, with max internal usable depth and 8 different height, gives a wide selection chart for users.

With perforated pattern front and rear door choice would give possibility of usage in private/low density server and storage applications with efficient cost scheme in infrastructure application.

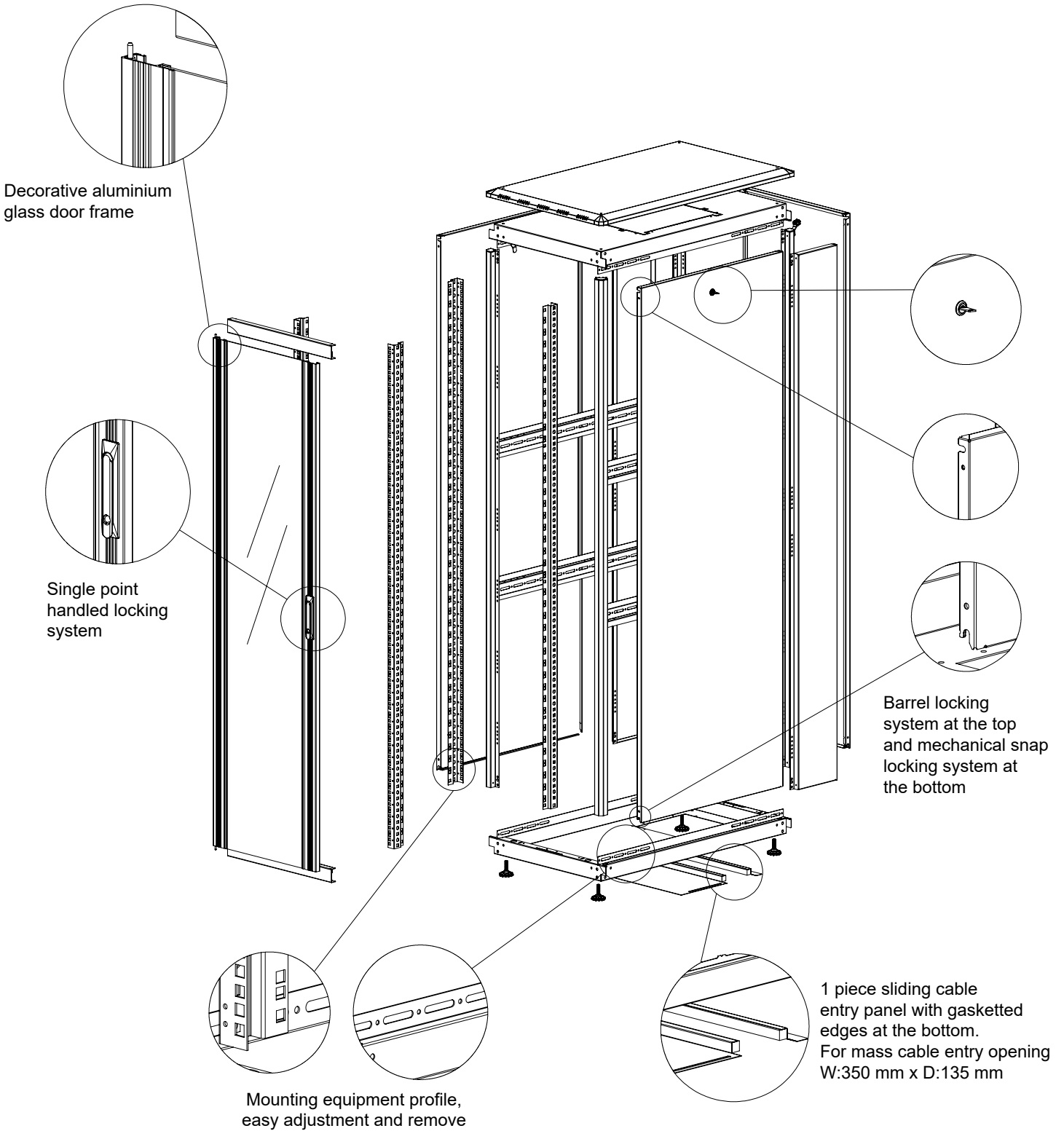
Please see door options in page 26 and 27.

19" DYNAmic

Free Standing Cabinets

Width: 600 mm
Depth: 1000 mm

Exploded View

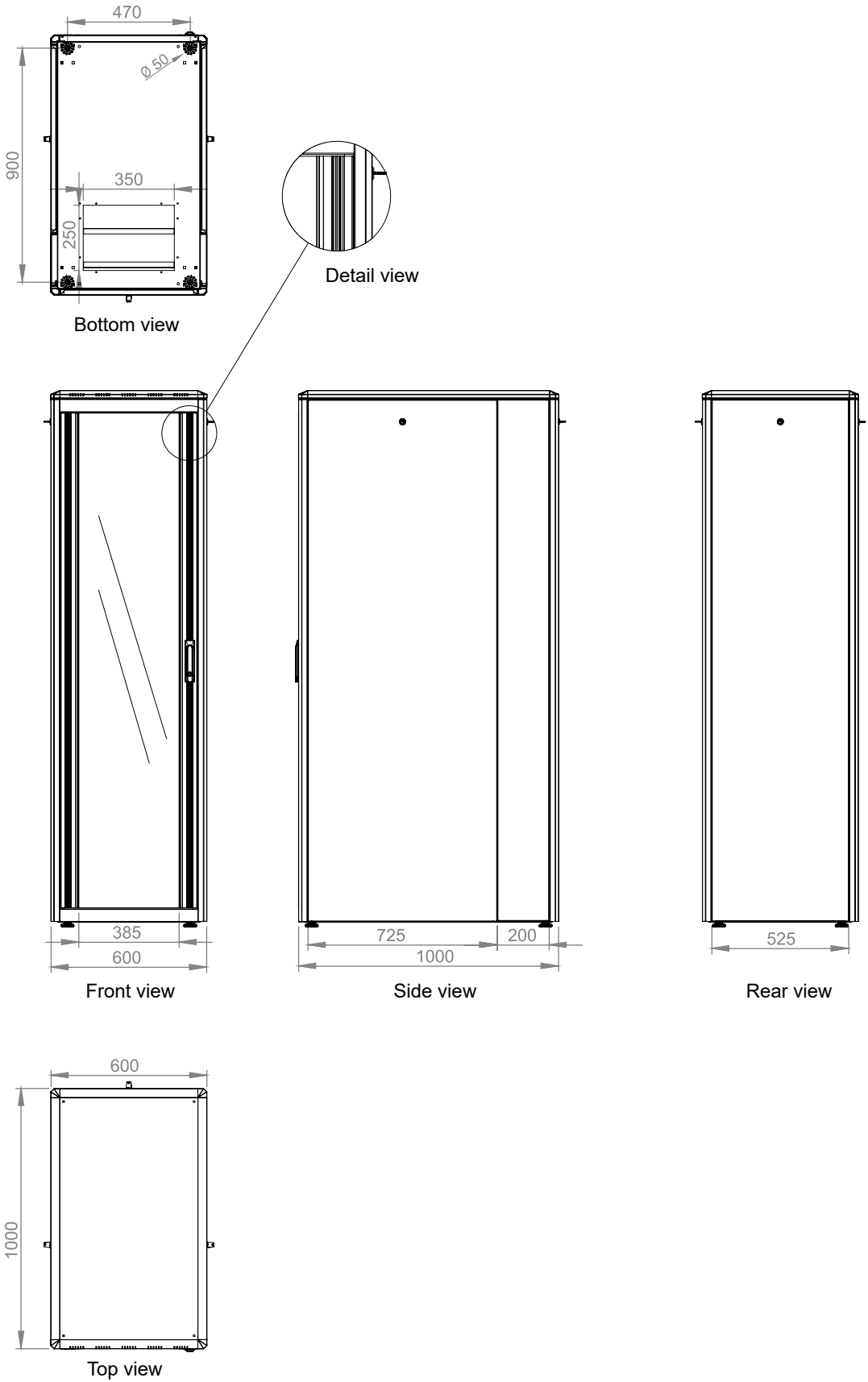


19" DYNAmic

Free Standing Cabinets

Width: 600 mm
Depth: 1000 mm

Construction Drawing

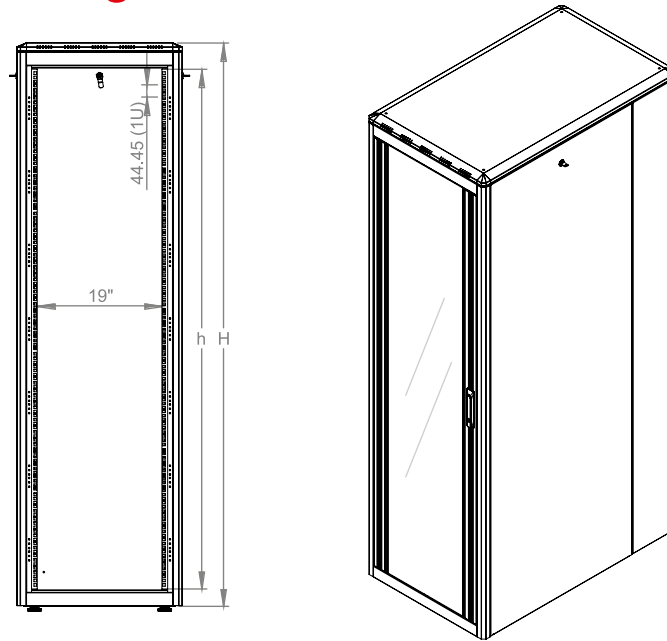


19" DYNAmic

Free Standing Cabinets

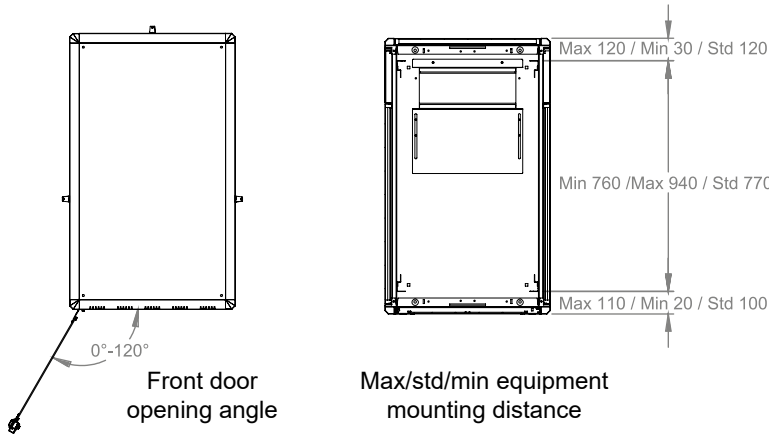
Width: 600 mm
Depth: 1000 mm

Construction Drawing



Dimensions in width and height

Isometric view



Front door opening angle

Max/std/min equipment mounting distance

	h	H
22U	978 mm	1164 mm
26U	1155 mm	1342 mm
32U	1422 mm	1609 mm
36U	1600 mm	1787 mm
39U	1733 mm	1920 mm
42U	1867 mm	2053 mm
45U	2000 mm	2187 mm
47U	2089 mm	2276 mm

19" DYNAmic Series Free Standing Cabinets W=600 mm D=1000 mm

Product Number***	Product Description	Size WxDxH mm	h Size in U	h in mm	*H mm, overall without feet and/or castor	Width Overall mm	Width Rail to Rail	Depth Overall mm	**Depth Shipping Conf. Rail to Rail mm	QTY IN PACKAGE	PACKING DIMENSIONS WxDxH mm	Standard NET Weight of Product kgs	Gross Weight of Product kgs	QTY IN PALLET	PALLET DIMENSIONS WxDxH mm	Pallet Weight kgs
LN-FS22U6010-CC-BAAA	22U 19" Free Standing Cabinet W=600 mm D=1000 mm	600x1000x1164	22U	978	1164	600	19"	1000	770	1	680x1080x1305	64,7	67	2	680x1080x2608	158
LN-FS26U6010-CC-BAAA	26U 19" Free Standing Cabinet W=600 mm D=1000 mm	600x1000x1342	26U	1155	1342	600	19"	1000	770	1	680x1080x1482	77	80,5	1	680x1080x1482	88,5
LN-FS32U6010-CC-BAAA	32U 19" Free Standing Cabinet W=600 mm D=1000 mm	600x1000x1609	32U	1422	1609	600	19"	1000	770	1	680x1080x1749	89,3	93,7	1	680x1080x1749	101,7
LN-FS36U6010-CC-BAAA	36U 19" Free Standing Cabinet W=600 mm D=1000 mm	600x1000x1787	36U	1600	1787	600	19"	1000	770	1	680x1080x1927	97	102	1	680x1080x1927	110
LN-FS39U6010-CC-BAAA	39U 19" Free Standing Cabinet W=600 mm D=1000 mm	600x1000x1920	39U	1733	1920	600	19"	1000	770	1	680x1080x2063	101,5	107	1	680x1080x2063	114,9
LN-FS42U6010-CC-BAAA	42U 19" Free Standing Cabinet W=600 mm D=1000 mm	600x1000x2053	42U	1867	2053	600	19"	1000	770	1	680x1080x2193	107	112,9	1	680x1080x2193	120,8
LN-FS45U6010-CC-BAAA	45U 19" Free Standing Cabinet W=600 mm D=1000 mm	600x1000x2187	45U	2000	2187	600	19"	1000	770	1	680x1080x2327	112	118,4	1	680x1080x2327	126,4
LN-FS47U6010-CC-BAAA	47U 19" Free Standing Cabinet W=600 mm D=1000 mm	600x1000x2276	47U	2089	2276	600	19"	1000	770	1	680x1080x2416	118	132	1	680x1080x2416	132

* Please add 30 mm to H mm once used with leveling feet, add 80 mm to H mm once used with castor set.

** See min and max adjustable depth variations on drawings.

***CC= LG for Light Grey RAL 7035 & BL for Black RAL 9005 for customers to define while ordering, for "BAAA" selection please see the door options.

***Cabinet nominal load capacity is 600 kgs. as per UL 2416 safety mark. However project case we configure the rack up to 1000 kgs. of load capacity with additional suport barsthicker 19" rails with 2 mm thickness, please add E (Enhanced notification defining load capacity requirement is up to 1000 kgs.) at the end of part number. Example LN-FS42U6010-BL-BAAA-E.

19" DYNAmic

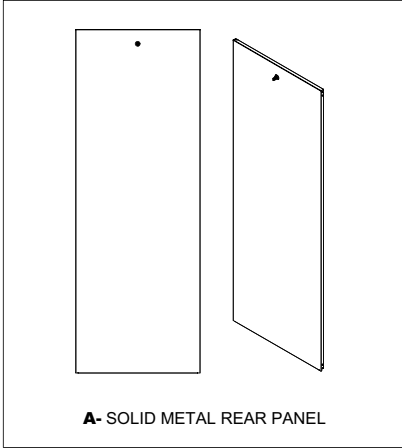
Free Standing Cabinets

Width: 600 mm
Depth: 1000 mm

Door Options

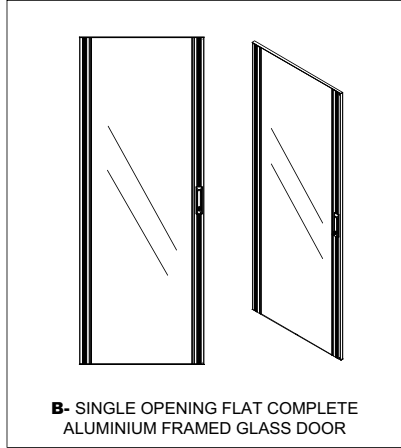
FRONT ❌

REAR ✔️



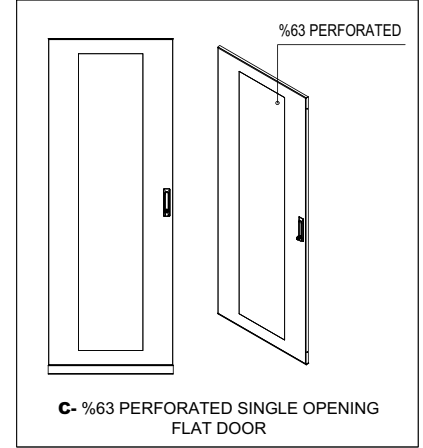
FRONT ✔️

REAR ❌



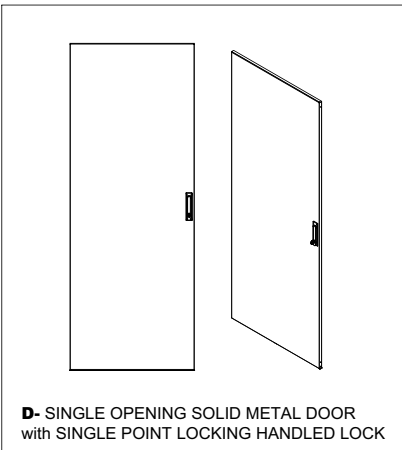
FRONT ✔️

REAR ✔️



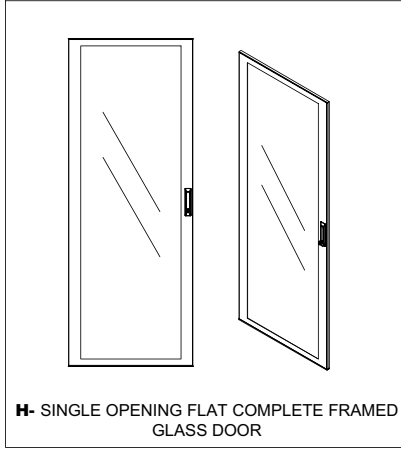
FRONT ✔️

REAR ✔️



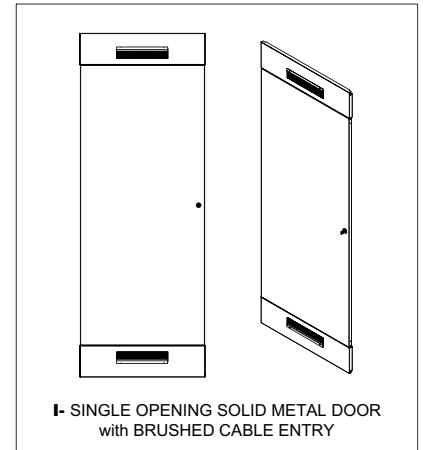
FRONT ✔️

REAR ❌



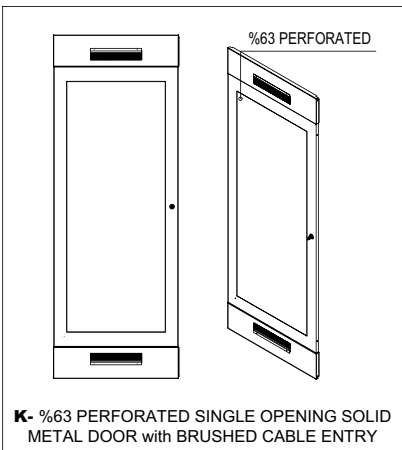
FRONT ❌

REAR ✔️



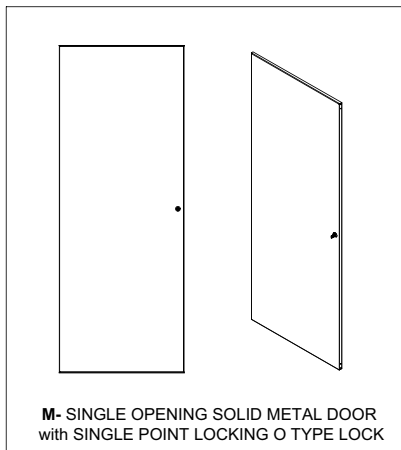
FRONT ❌

REAR ✔️



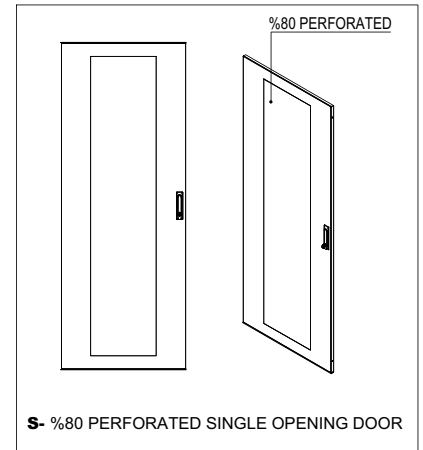
FRONT ❌

REAR ✔️



FRONT ✔️

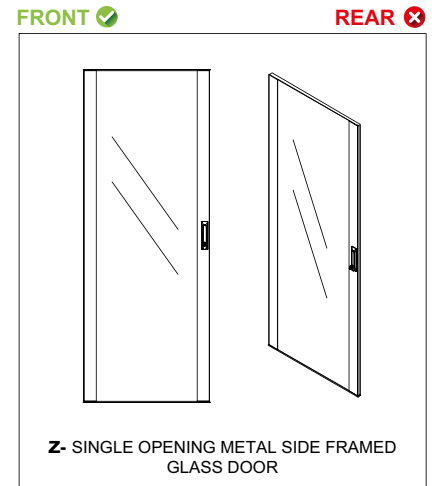
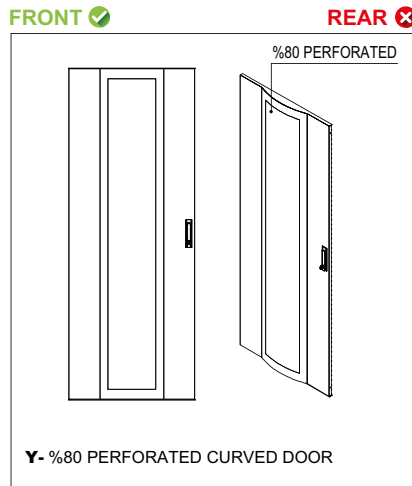
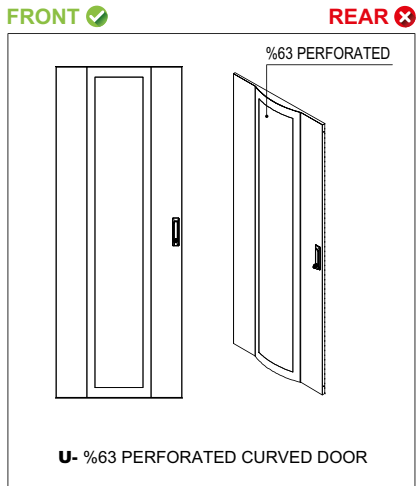
REAR ✔️



19" DYNAmic Free Standing Cabinets

Width: 600 mm
Depth: 1000 mm

Door Options



DYNAmic Free Standing Cabinet W=600 mm D=1000 mm All Heights FRONT DOOR Options	DYNAmic Free Standing Cabinet W=600 mm D=1000 mm All Heights REAR DOOR Options	DYNAmic Free Standing Cabinet W=600 mm D=1000 mm All Heights SIDE PANEL Options
<p>B Single opening flat complete aluminium framed glass door C %63 perforated single opening flat door D Single opening solid metal door H Single opening flat complete framed glass door S %80 perforated single opening door U %63 perforated curved door Y %80 perforated curved door Z Single opening metal side framed glass door</p>	<p>A Solid metal rear panel C %63 perforated single opening flat door D Single opening solid metal door I Single opening solid metal door with brushed cable entry K %63 perforated single opening solid metal door with brushed cable entry M Single opening solid metal door with header compatible S %80 perforated single opening door</p>	<p>AA Both sides equipped with standard side panels A0 One side panel on cabinet 00 No side panels on cabinet</p>
<p>LN-AA - XXU - WW - DD - CC - (E optional)</p>		<p>0 0 00</p>
<p>LN: Corporate codification beginning letters mentioning Lande in Short Format as LN AA: Family group of enclosure; FS for networking enclosures range XX: Numeric character defining the height of enclosures, depending on model differences between 22 to 47 to be selected from price list, website or catalogue U: U height alphanumeric notation, concrete (non editable- fixed character) WW: The first 2 digits of the width info, 60 for W=600 mm cabinets DD: The first 2 digits of the depth info, 10 for D=1000 mm cabinets CC: Color code, LG for Light Grey RAL 7035, BL for Black RAL 9005 E: Optional code extension for enhanced static load capacity up to 1000 kgs.</p>		<p>C-D-H-S-U-Y-Z options, unless defined B type door will be in shipping configuration.</p> <p>C-D-I-K-M-S options, unless defined A type door will be in shipping configuration.</p> <p>AA both sides equipped with standard side panels A0 one side panel on cabinet 00 no side panels on cabinet.</p>

19" DYNAmic

Free Standing Cabinets

Width: 600 mm
Depth: 1200 mm

Static Load Capacity Standard
Configuration: 600 kgs.

Static Load Capacity Enhanced (E)
Configuration: Up to 1000 kgs.

U Height: 42U, 45U, 47U

Standards and Compliances:



ISO 9001
Quality Management System

EN 61587-1
Mechanical Structures for
Electronic Equipment

EN IEC 60297, 19" Mounting
EN IEC 60917 Overall Cabinet
Dimensions

EN/IEC 60529 - IP20 Ingress Protection
performance

EN/IEC 62262 - IK07 Mechanical
Impact Resistance

EIA/ ECA-310 (D/E) 19" 482,6 mm
and U 44,45 mm Height Sizing



CE conform to
EN 60950-1
Information Technology
Equipment, Safety,
Part-1: General Requirement

EN IEC 62368-1 Audio/Video, Information
and Communication Technology Equipment
Part 1: Safety requirements



UL listed to
UL 2416, Outline of Investigation for
Audio/Video, Information and
Communication Technology Equipment
Cabinet, Enclosure and Rack
Systems; UL 60950-1 and CSA C22.2
NO. 60950-1-07, Information Technology
Equipment Safety
Part 1: General Requirements



Environment Friendly;
ISO 14001 Environmental
Management System
RoHS compliancy
%100 Recyclable Material



ISO 45001
The Occupational Health and Safety
Management System

Standard Color:



RAL 7035 Light Grey



RAL 9005 Black



DYNAmic Series Networking Enclosures, with 19" w:600 mm and d:1000 mm physical sizes, with max internal usable depth and 3 different height, gives a wide selection chart for users.

With perforated pattern front and rear door choice would give possibility of usage in private/low density server and storage applications with efficient cost scheme in infrastructure application.

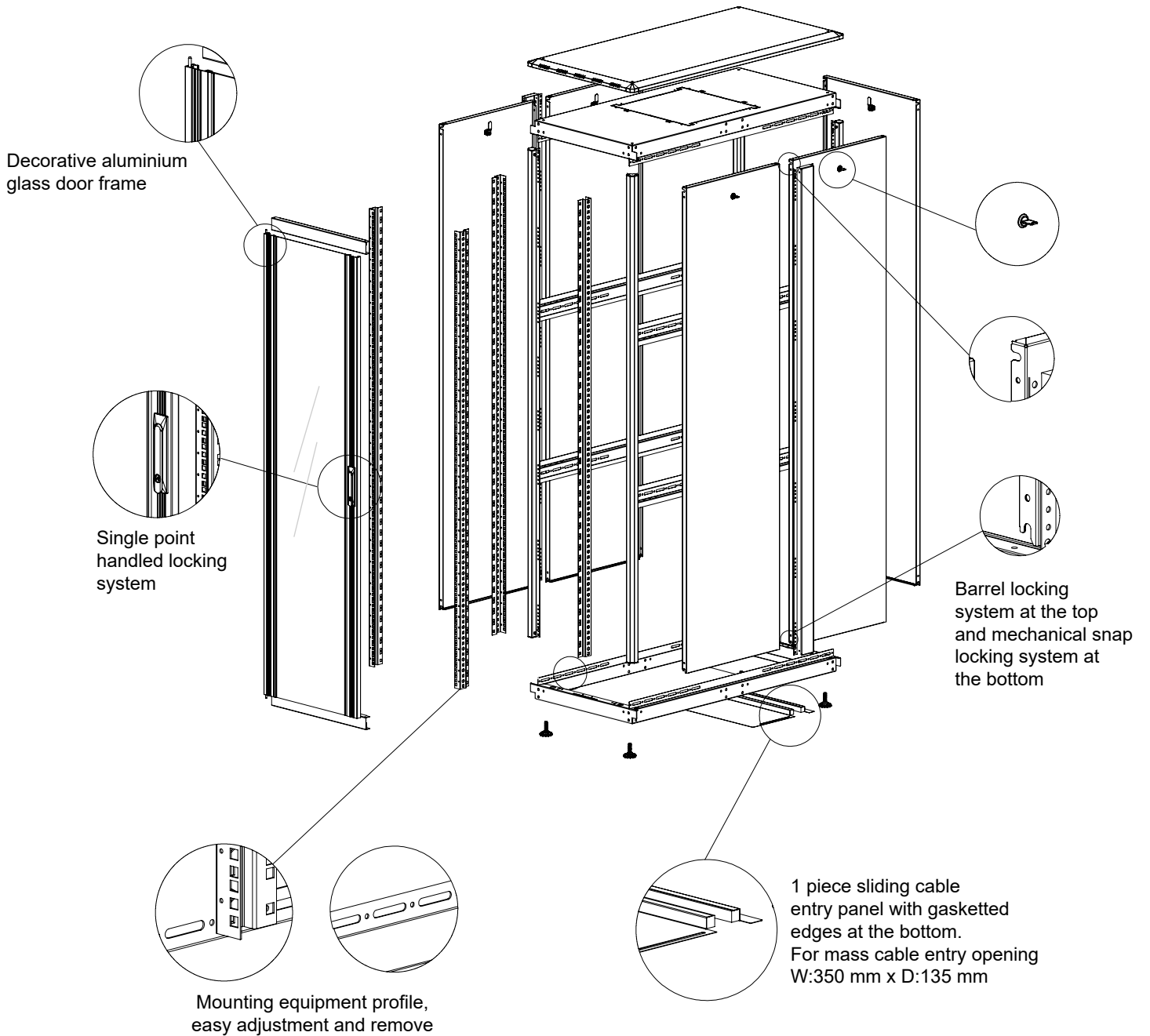
Please see door options in page 32 and 33.

19" DYNAmic

Free Standing Cabinets

Width: 600 mm
Depth: 1200 mm

Exploded View

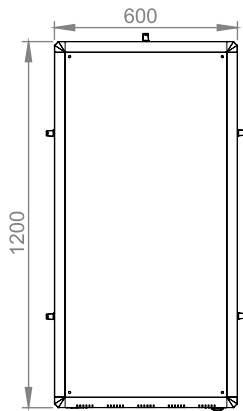


19" DYNAmic

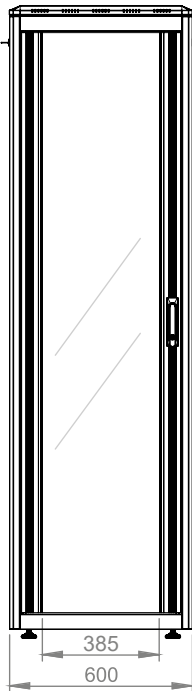
Free Standing Cabinets

Width: 600 mm
Depth: 1200 mm

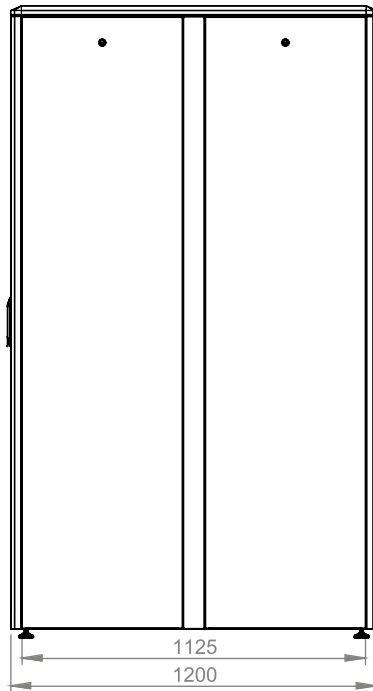
Construction Drawing



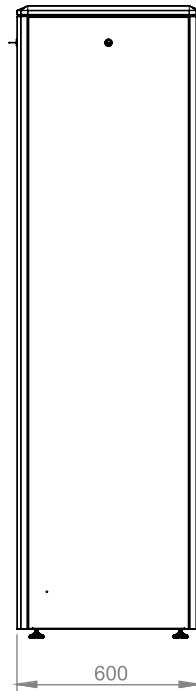
Top view



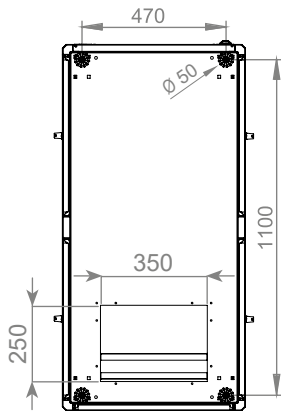
Front view



Side view



Rear view



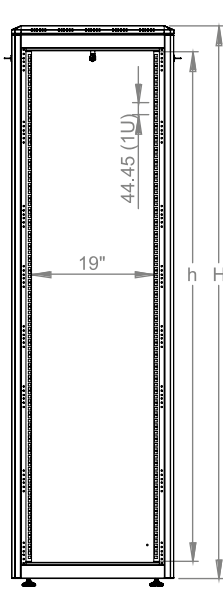
Bottom view

19" DYNAmic

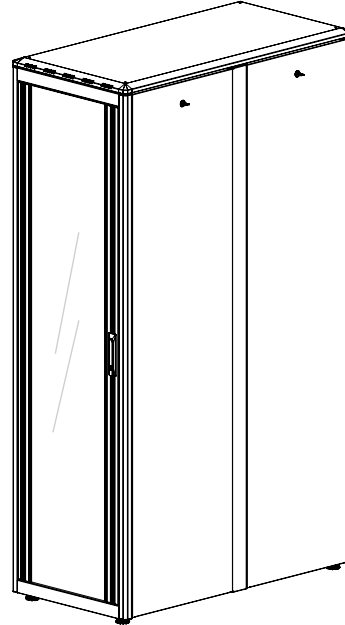
Free Standing Cabinets

Width: 600 mm
Depth: 1200 mm

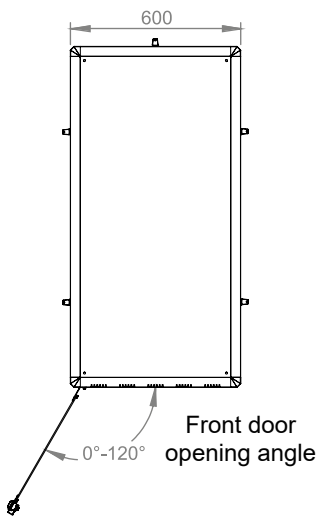
Construction Drawing



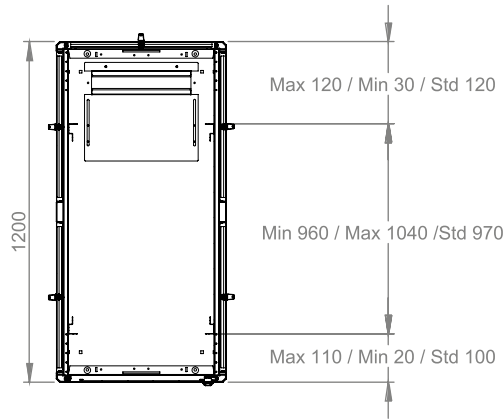
Dimensions in width and height



Isometric view



Front door opening angle



Max/std/min equipment mounting distance

	h	H
42U	1867 mm	2053 mm
45U	2000 mm	2187 mm
47U	2089 mm	2276 mm

19" DYNAmic Series Free Standing Cabinets W=600 mm D=1200 mm

Product Number***	Product Description	Size WxDxH mm	h Size in U	h in mm	*H mm, overall without feet and/or castor	Width Overall mm	Width Rail to Rail	Depth Overall mm	**Depth Shipping Conf. Rail to Rail mm	QTY IN PACKAGE	PACKING DIMENSIONS WxDxH mm	Standard NET Weight of Product kgs	Gross Weight of Product kgs	QTY IN PALLET	PALLET DIMENSIONS WxDxH mm	Pallet Weight kgs
LN-FS42U6012-CC-BAAA	42U 19" Free Standing Cabinet W=600 mm D=1200 mm	600x1200x2053	42U	1867	2053	600	19"	1200	970	1	680x1280x2193	135	147	1	680x1280x2343	162
LN-FS45U6012-CC-BAAA	45U 19" Free Standing Cabinet W=600 mm D=1200 mm	600x1200x2187	45U	2000	2187	600	19"	1200	970	1	680x1280x2327	143	155	1	680x1280x2477	170
LN-FS47U6012-CC-BAAA	47U 19" Free Standing Cabinet W=600 mm D=1200 mm	600x1200x2276	47U	2089	2276	600	19"	1200	970	1	680x1280x2416	154	163	1	680x1280x2566	178

* Please add 30 mm to H mm once used with leveling feet, add 80 mm to H mm once used with castor set.

** See min and max adjustable depth variations on drawings.

***CC= LG for Light Grey RAL 7035 & BL for Black RAL 9005 for customers to define while ordering, for "BAAA" selection please see the door options.

***Cabinet nominal load capacity is 600 kgs. as per UL 2416 safety mark. However project case we configure the rack up to 1000 kgs. of load capacity with additional suport barsthicker 19" rails with 2 mm thickness, please add E (Enhanced notification defining load capacity requirement is up to 1000 kgs.) at the end of part number. Example LN-FS42U6012-BL-BAAA-E.

19" DYNAmic

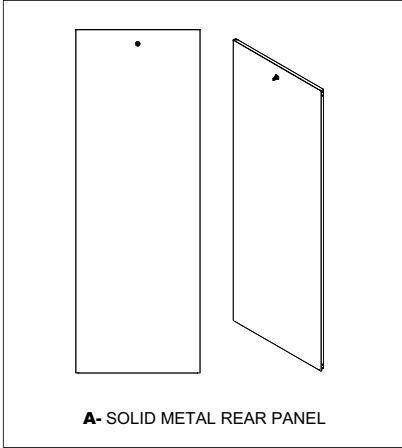
Free Standing Cabinets

Width: 600 mm
Depth: 1200 mm

Door Options

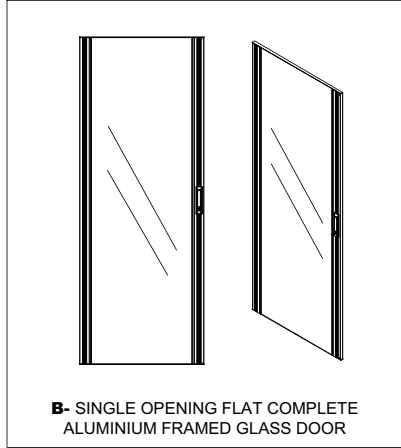
FRONT ❌

REAR ✔️



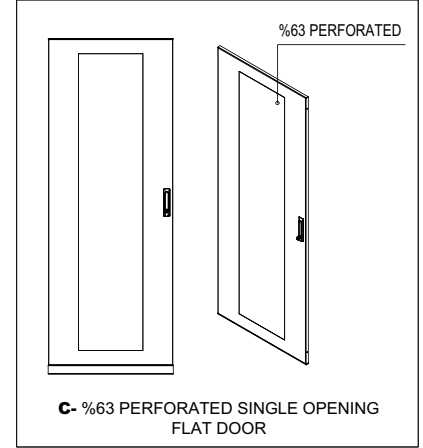
FRONT ✔️

REAR ❌



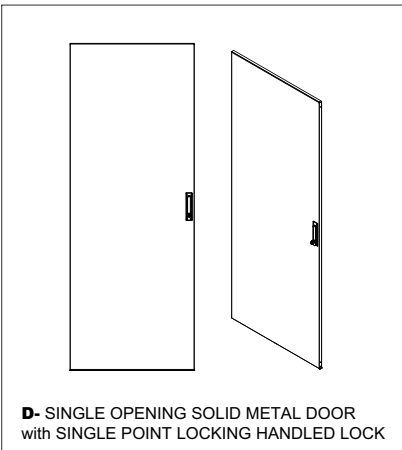
FRONT ✔️

REAR ✔️



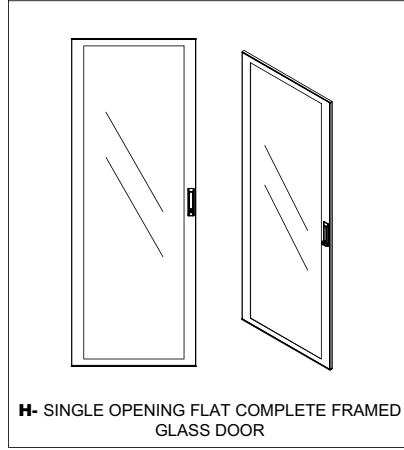
FRONT ✔️

REAR ✔️



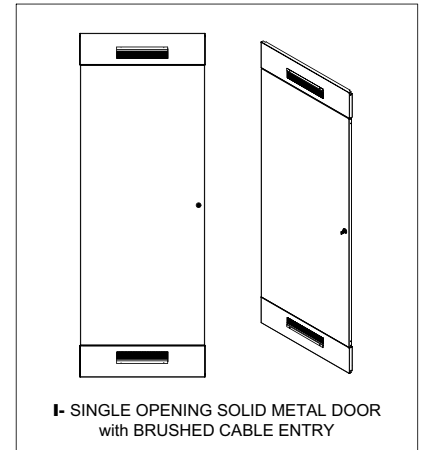
FRONT ✔️

REAR ❌



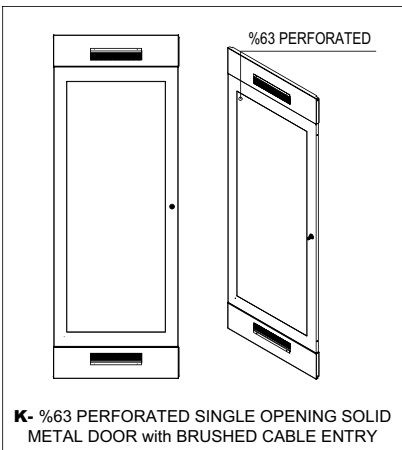
FRONT ❌

REAR ✔️



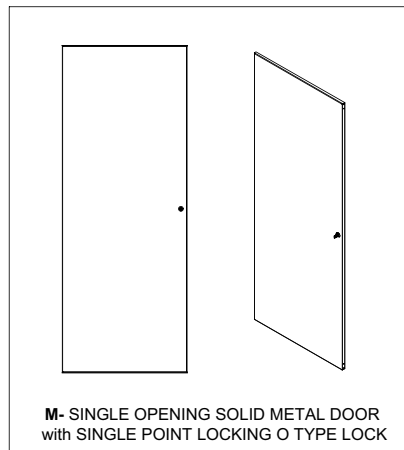
FRONT ❌

REAR ✔️



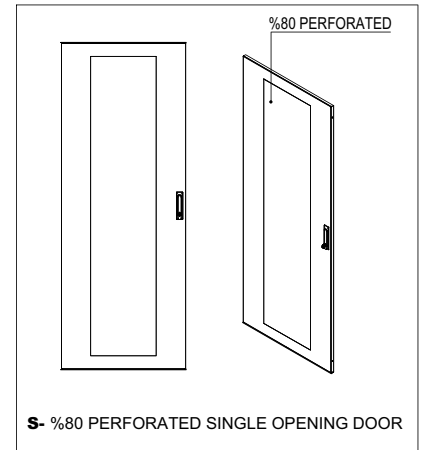
FRONT ❌

REAR ✔️



FRONT ✔️

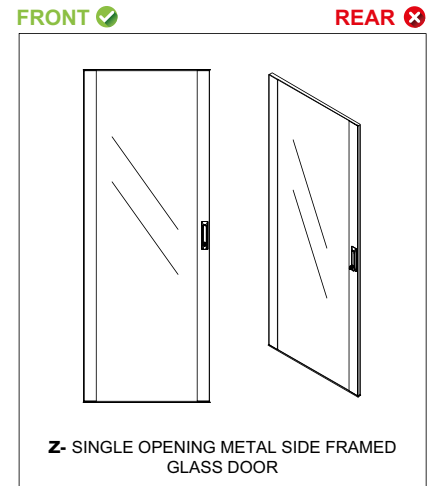
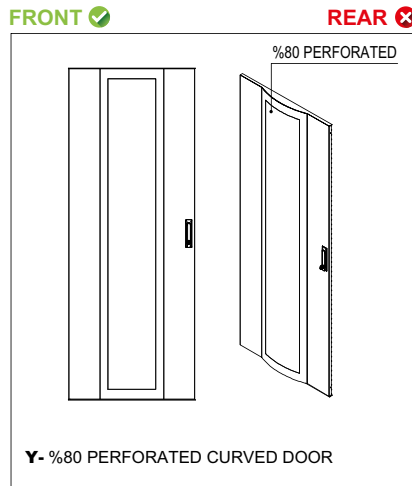
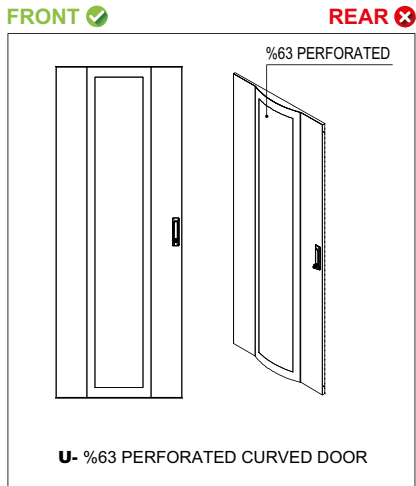
REAR ✔️



19" DYNAmic Free Standing Cabinets

Width: 600 mm
Depth: 1200 mm

Door Options



DYNAmic Free Standing Cabinet W=600 mm D=1200 mm All Heights FRONT DOOR Options	DYNAmic Free Standing Cabinet W=600 mm D=1200 mm All Heights REAR DOOR Options	DYNAmic Free Standing Cabinet W=600 mm D=1200 mm All Heights SIDE PANEL Options
<ul style="list-style-type: none"> B Single opening flat complete aluminium framed glass door C %63 perforated single opening flat door D Single opening solid metal door H Single opening flat complete framed glass door S %80 perforated single opening door U %63 perforated curved door Y %80 perforated curved door Z Single opening metal side framed glass door 	<ul style="list-style-type: none"> A Solid metal rear panel C %63 perforated single opening flat door D Single opening solid metal door I Single opening solid metal door with brushed cable entry K %63 perforated single opening solid metal door with brushed cable entry M Single opening solid metal with header compatible S %80 perforated single opening door 	<ul style="list-style-type: none"> AA Both sides equipped with standard side panels A0 One side panel on cabinet 00 No side panels on cabinet
LN-AA - XXU - WW - DD - CC - (E optional)		0 0 00
<p>LN: Corporate codification beginning letters mentioning Lande in Short Format as LN</p> <p>AA: Family group of enclosure; FS for networking enclosures range</p> <p>XX: Numeric character defining the height of enclosures, depending on model differences between 42 to 47 to be selected from price list, website or catalogue</p> <p>U: U height alphanumeric notation, concrete (non editable- fixed character)</p> <p>WW: The first 2 digits of the width info, 60 for W=600 mm cabinets</p> <p>DD: The first 2 digits of the depth info, 12 for D=1200 mm cabinets</p> <p>CC: Color code, LG for Light Grey RAL 7035, BL for Black RAL 9005</p> <p>E: Optional code extension for enhanced static load capacity up to 1000 kgs.</p>		<p>C-D-H-S-U-Y-Z options, unless defined B type door will be in shipping configuration.</p> <p>C-D-I-K-M-S options, unless defined A type door will be in shipping configuration.</p> <p>AA both sides equipped with standard side panels A0 one side panel on cabinet 00 no side panels on cabinet.</p>

19" DYNAmic

Free Standing Additional Feature at Width: 800 mm Segment

Construction details:

DYNAmic Series Free Standing w:800 mm enclosures carry the same features of family where some additional features or advantages are offered with.

Front door is integrated with decorative aluminium extruded frames at left and right sides of the splitted glass doors, full length smoked, shatterproof, antistatic, 4,0 mm thickness glass door with barrel locking on top and bottom supplied in standard configuration.

Possible to have complete framed glass doors, %63 perforated door single and double doors, or fully metal solid front doors with handled locking system.

Bottom case integrated with wide cable entry point provides maximum versatility. The rubber edged sliding mechanism on the cable entry point at bottom with:350 mm x d:250 mm allows large cabling infrastructure applications. On rubber edged sliding mechanism max cable entry opening is w:350 mm xd:150 mm. After inserting the cables, the rubber edged mechanism holds and fixes the cables in parallel preventing the cabinet from dust entry. Additionally w:800 mm segment has 80x316 mm brushed cable entry points 2 pieces at bottom and 2 pieces on top case and roof for mass cable entry needs.

For some more cabling needs there are also brushed cable entry possibility on top and bottom of the rear door.

All w:800 mm model cabinets are subject to selection of vertical cable manager. All w:800 mm model cabinets are subject to selection of vertical cable manager. Either standard metal vertical cable manager with snap metal door or high density ABS fingers integrated with aluminium snap cover panel version selected.



19" DYNAmic

Free Standing Additional Feature at Width: 800 mm Segment

DYNAmic series networking enclosures, with 19" w:800 mm physical sizes with max cable housing possibility and wide selection of depth and height.

All w:800 mm model cabinets are constructionally proper for the Vertical Cable Management Systems.

The Lande 800 wide segment designed with highly efficient and customer friendly vertical cable management channel.



Solid Metal Vertical Cable Management Trunking with Snap Door with Lids



Optional vertical cable management panel possible to use in front or at rear

Solid Metal Vertical Cable Management Trunking										
Product Number	Product Model	Product Description	19" DYNAmic Free Standing Cabinets Comptible With							
			600x600 mm	600x800 mm	600x1000 mm	600x1200 mm	800x600 mm	800x800 mm	800x1000 mm	800x1200 mm
LN-KDG-ORG-22EU-CC	Solid Metal Vertical Cable Management Trunking	22U Metal Cable Management Panel Set Left/Right	-	-	-	NA	✓	✓	NA	NA
LN-KDG-ORG-26EU-CC		26U Metal Cable Management Panel Set Left/Right	-	-	-	NA	✓	✓	NA	NA
LN-KDG-ORG-32EU-CC		32U Metal Cable Management Panel Set Left/Right	-	-	-	NA	✓	✓	NA	NA
LN-KDG-ORG-36EU-CC		36U Metal Cable Management Panel Set Left/Right	-	-	-	NA	✓	✓	NA	NA
LN-KDG-ORG-39EU-CC		39U Metal Cable Management Panel Set Left/Right	-	-	-	NA	✓	✓	NA	NA
LN-KDG-ORG-42EU-CC		42U Metal Cable Management Panel Set Left/Right	-	-	-	-	✓	✓	✓	✓
LN-KDG-ORG-45EU-CC		45U Metal Cable Management Panel Set Left/Right	-	-	-	-	✓	✓	✓	✓
LN-KDG-ORG-47EU-CC		47U Metal Cable Management Panel Set Left/Right	-	-	-	-	✓	✓	✓	✓

** CC= Color Code, LG Light Grey RAL 7035, BL Black RAL 9005, please define the color of cabinet while ordering.

✓ Means compatible to use with, (-) means not usable, NA means no any rack U height available for mentioned sizes (WxD mm).

19" DYNAmic

Free Standing Additional Feature at Width: 800 mm Segment

DYNAmic series networking enclosures, with 19" w:800 mm physical sizes with max cable housing possibility and wide selection of depth and height.

All w:800 mm model cabinets are constructionally proper for the Vertical Cable Management Systems.

The Lande 800 wide segment designed with highly efficient and customer friendly vertical cable management channel.



High Density Vertical Cable Management Trunking with Cable Management Fingers with Aluminum Horizontally Split Snap Door with Lids



Optional vertical cable management panel possible to use in front or at rear

High Density Vertical Cable Management Trunking with Cable Management Fingers

Product Number	Product Model	Product Description	19" DYNAmic Free Standing Cabinets Comptible With							
			600x600 mm	600x800 mm	600x1000 mm	600x1200 mm	800x600 mm	800x800 mm	800x1000 mm	800x1200 mm
LN-KDG-ORG-22HD-CC	High Density Vertical Cable Management Trunking with Cable Management Fingers	22U Aluminium Cover Cable Management Panel Set Left/Right, Finger Type	-	-	-	NA	✓	✓	NA	NA
LN-KDG-ORG-26HD-CC		26U Aluminium Cover Cable Management Panel Set Left/Right, Finger Type	-	-	-	NA	✓	✓	NA	NA
LN-KDG-ORG-32HD-CC		32U Aluminium Cover Cable Management Panel Set Left/Right, Finger Type	-	-	-	NA	✓	✓	NA	NA
LN-KDG-ORG-36HD-CC		36U Aluminium Cover Cable Management Panel Set Left/Right, Finger Type	-	-	-	NA	✓	✓	NA	NA
LN-KDG-ORG-39HD-CC		36U Aluminium Cover Cable Management Panel Set Left/Right, Finger Type	-	-	-	NA	✓	✓	NA	NA
LN-KDG-ORG-42HD-CC		42U Aluminium Cover Cable Management Panel Set Left/Right, Finger Type	-	-	-	-	✓	✓	✓	✓
LN-KDG-ORG-45HD-CC		45U Aluminium Cover Cable Management Panel Set Left/Right, Finger Type	-	-	-	-	✓	✓	✓	✓
LN-KDG-ORG-47HD-CC		47U Aluminium Cover Cable Management Panel Set Left/Right, Finger Type	-	-	-	-	✓	✓	✓	✓

** CC= Color Code, LG Light Grey RAL 7035, BL Black RAL 9005, please define the color of cabinet while ordering.

✓ Means compatible to use with, (-) means not usable, NA means no any rack U height available for mentioned sizes (WxD mm).

19" DYNAmic

Free Standing Cabinets

Width: 800 mm
Depth: 600 mm

Static Load Capacity Standard
Configuration: 600 kgs.

**U Height: 22U, 26U, 32U, 36U, 39U,
42U, 45U, 47U**

Standards and Compliances:



ISO 9001
Quality Management System

EN 61587-1
Mechanical Structures for
Electronic Equipment

EN IEC 60297, 19" Mounting
EN IEC 60917 Overall Cabinet
Dimensions

EN/IEC 60529 - IP20 Ingress Protection
performance

EN/IEC 62262 - IK07 Mechanical
Impact Resistance

EIA/ ECA-310 (D/E) 19" 482,6 mm
and U 44,45 mm Height Sizing



CE conform to
EN 60950-1
Information Technology
Equipment, Safety,
Part-1: General Requirement

EN IEC 62368-1 Audio/Video, Information
and Communication Technology Equipment
Part 1: Safety requirements



UL listed to
UL 2416, Outline of Investigation for
Audio/Video, Information and
Communication Technology Equipment
Cabinet, Enclosure and Rack
Systems; UL 60950-1 and CSA C22.2
NO. 60950-1-07, Information Technology
Equipment Safety
Part 1: General Requirements



Environment Friendly;
ISO 14001 Environmental
Management System
RoHS compliancy
%100 Recyclable Material



ISO 45001
**The Occupational Health and Safety
Management System**

Standard Color:



RAL 7035 Light Grey



RAL 9005 Black

Static Load Capacity Enhanced (E)
Configuration: Up to 1000 kgs.



DYNAmic Series Networking Enclosures, with 19" w:800 mm and d:600 mm physical sizes, with max internal usable depth, and 8 different height, gives a wide selection chart for users.

All w:800 mm model cabinets are constructionally proper for the vertical cable management systems. The Lande 800 wide segment designed with highly efficient and customer friendly vertical cable management.

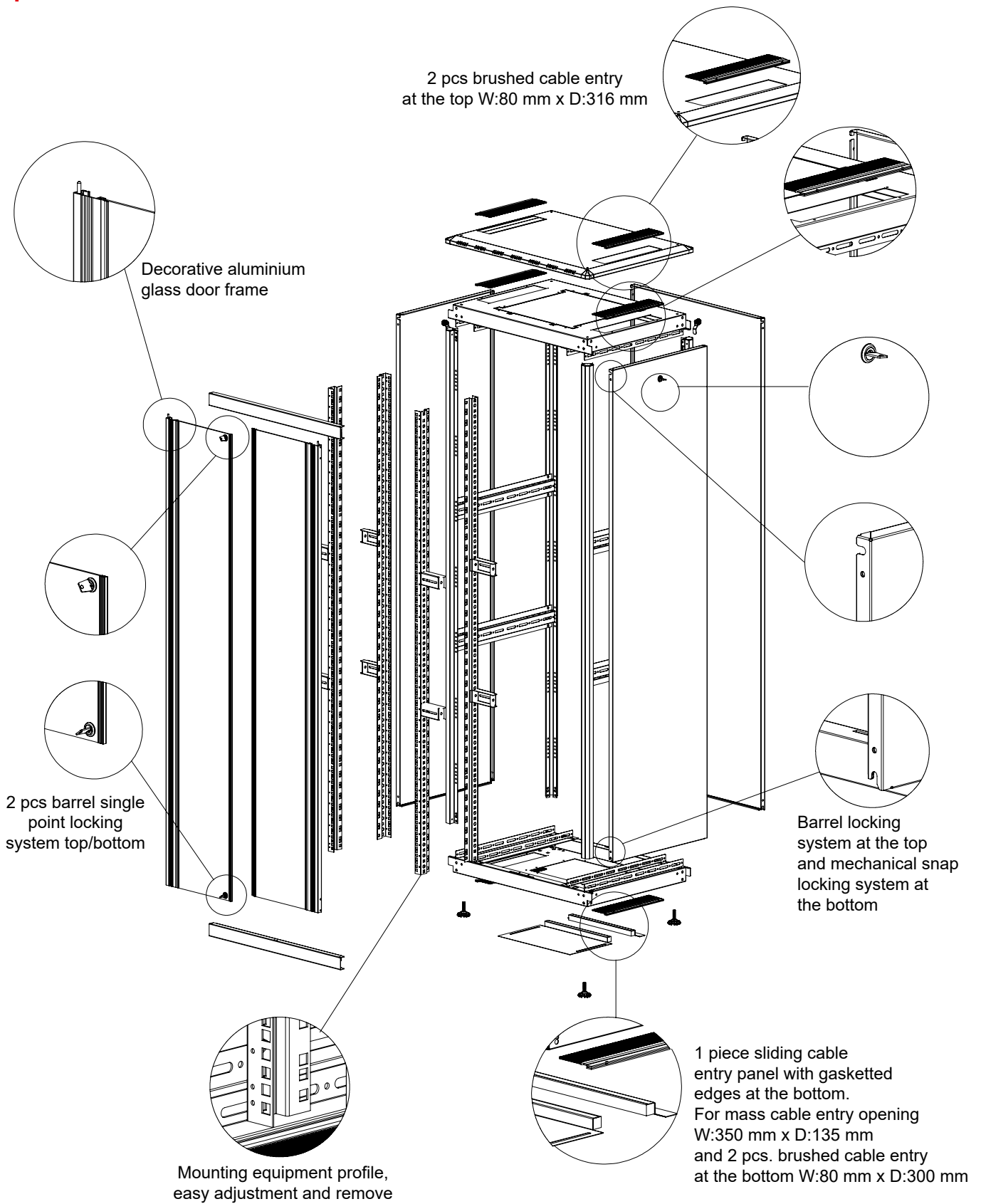
Please see door options in page 41 and 42.

19" DYNAmic

Free Standing Cabinets

Width: 800 mm
Depth: 600 mm

Exploded View

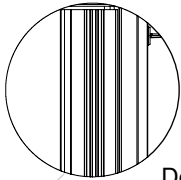
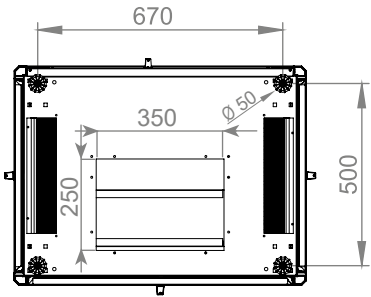


19" DYNAmic

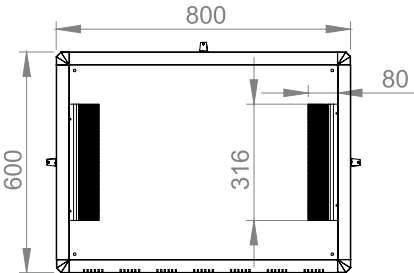
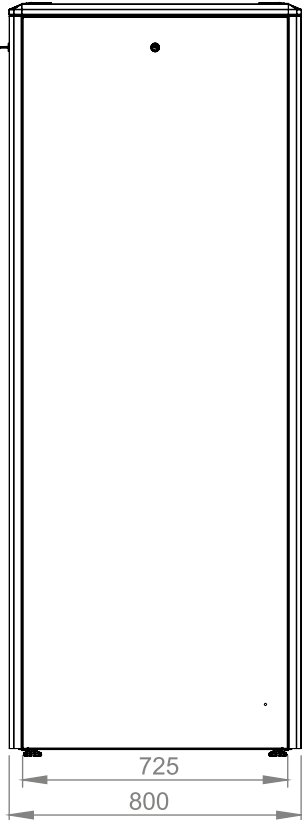
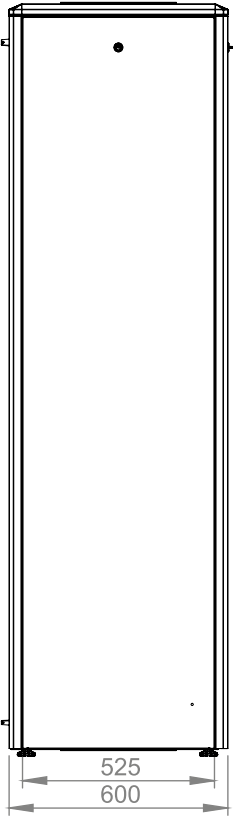
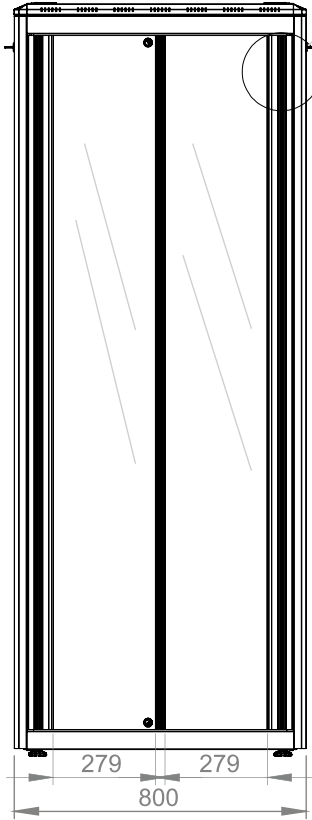
Free Standing Cabinets

Width: 800 mm
Depth: 600 mm

Construction Drawing



Detail view

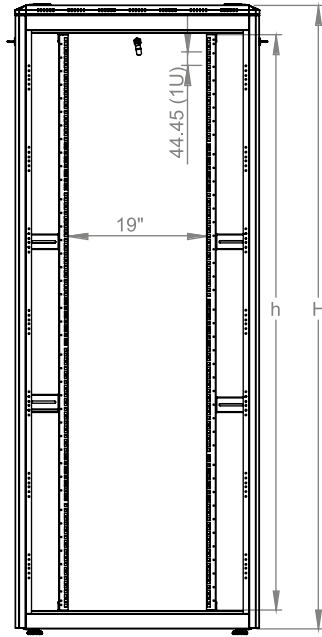


19" DYNAmic

Free Standing Cabinets

Width: 800 mm
Depth: 600 mm

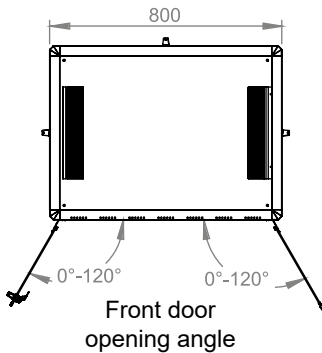
Construction Drawing



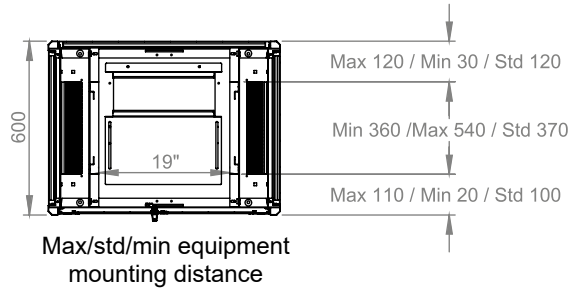
Dimensions in width and height



Isometric view



Front door opening angle



Max/std/min equipment mounting distance

	h	H
22U	978 mm	1164 mm
26U	1155 mm	1342 mm
32U	1422 mm	1609 mm
36U	1600 mm	1787 mm
39U	1733 mm	1920 mm
42U	1867 mm	2053 mm
45U	2000 mm	2187 mm
47U	2089 mm	2276 mm

19" DYNAmic Series Free Standing Cabinets W=800 mm D=600 mm

Product Number***	Product Description	Size WXDxH mm	h Size in U	h in mm	*H mm, overall without feet and/or castor	Width Overall mm	Width Rail to Rail	Depth Overall mm	**Depth Shipping Cont. Rail to Rail mm	QTY IN PACKAGE	PACKING DIMENSIONS WXDxH mm	Standard NET Weight of Product kgs	Gross Weight of Product kgs	QTY IN PALLET	PALLET DIMENSIONS WXDxH mm	Pallet Weight kgs
LN-FS22U8060-CC-EAAA	22U 19" Free Standing Cabinet W=800 mm D=600 mm	800x600x1164	22U	978	1164	800	19"	600	370	1	880x680x1305	56,5	65	2	880x680x2608	130
LN-FS26U8060-CC-EAAA	26U 19" Free Standing Cabinet W=800 mm D=600 mm	800x600x1342	26U	1155	1342	800	19"	600	370	1	880x680x1482	61,7	71	1	880x680x1482	73
LN-FS32U8060-CC-EAAA	32U 19" Free Standing Cabinet W=800 mm D=600 mm	800x600x1609	32U	1422	1609	800	19"	600	370	1	880x680x1749	71,4	81	1	880x680x1749	83,2
LN-FS36U8060-CC-EAAA	36U 19" Free Standing Cabinet W=800 mm D=600 mm	800x600x1787	36U	1600	1787	800	19"	600	370	1	880x680x1927	77,5	88	1	880x680x1927	89,9
LN-FS39U8060-CC-EAAA	39U 19" Free Standing Cabinet W=800 mm D=600 mm	800x600x1920	39U	1733	1920	800	19"	600	370	1	880x680x2063	81,4	92	1	880x680x2063	94
LN-FS42U8060-CC-EAAA	42U 19" Free Standing Cabinet W=800 mm D=600 mm	800x600x2053	42U	1867	2053	800	19"	600	370	1	880x680x2193	85,6	96,7	1	880x680x2193	98,7
LN-FS45U8060-CC-EAAA	45U 19" Free Standing Cabinet W=800 mm D=600 mm	800x600x2187	45U	2000	2187	800	19"	600	370	1	880x680x2327	89,8	101,3	1	880x680x2327	103
LN-FS47U8060-CC-EAAA	47U 19" Free Standing Cabinet W=800 mm D=600 mm	800x600x2276	47U	2089	2276	800	19"	600	370	1	880x680x2416	95	106	1	880x680x2416	106

* Please add 30 mm to H mm once used with leveling feet, add 80 mm to H mm once used with castor set.

** See min and max adjustable depth variations on drawings.

***CC= LG for Light Grey RAL 7035 & BL for Black RAL 9005 for customers to define while ordering, for "EAAA" selection please see the door options.

***Cabinet nominal load capacity is 600 kgs. as per UL 2416 safety mark. However project case we configure the rack up to 1000 kgs. of load capacity with additional suport barsthicker 19" rails with 2 mm thickness, please add E (Enhanced notification defining load capacity requirement is up to 1000 kgs.) at the end of part number. Example LN-FS42U8060-BL-EAAA-E.

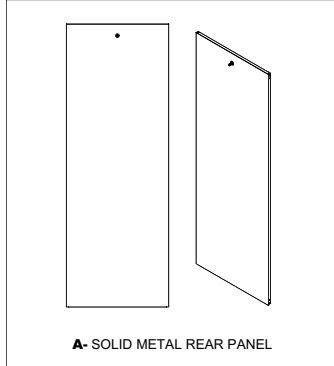
19" DYNAmic

Free Standing Cabinets

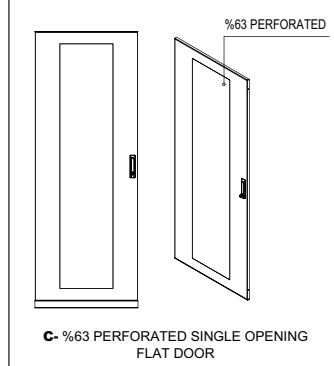
Width: 800 mm
Depth: 600 mm

Door Options

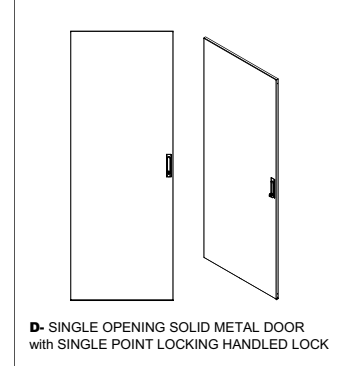
FRONT ❌ REAR ✔️



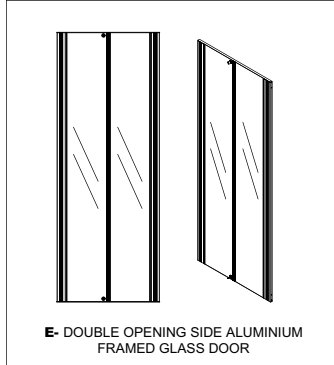
FRONT ✔️ REAR ✔️



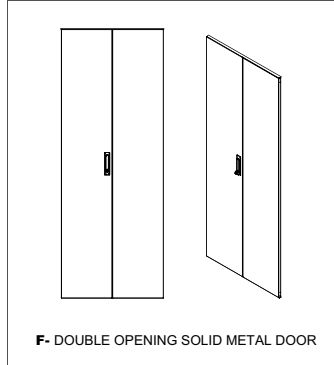
FRONT ✔️ REAR ✔️



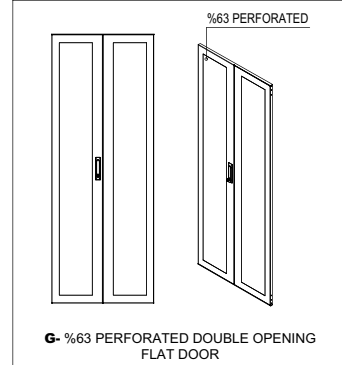
FRONT ✔️ REAR ❌



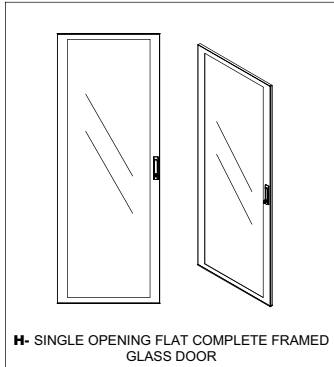
FRONT ✔️ REAR ✔️



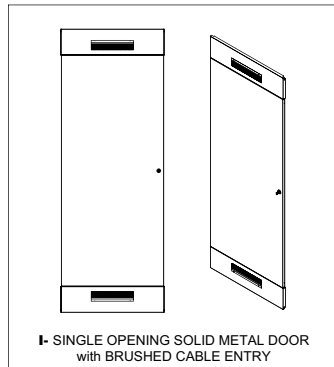
FRONT ✔️ REAR ✔️



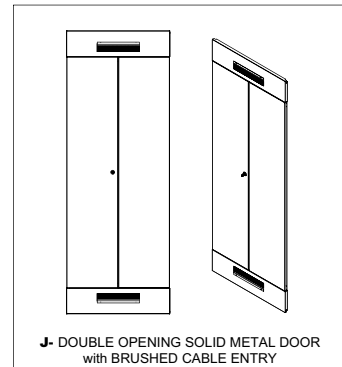
FRONT ✔️ REAR ❌



FRONT ❌ REAR ✔️



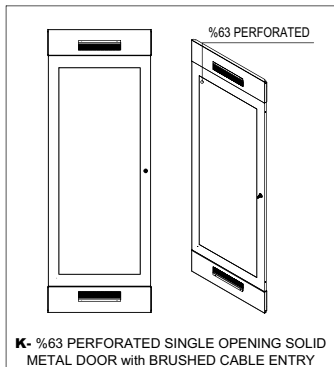
FRONT ❌ REAR ✔️



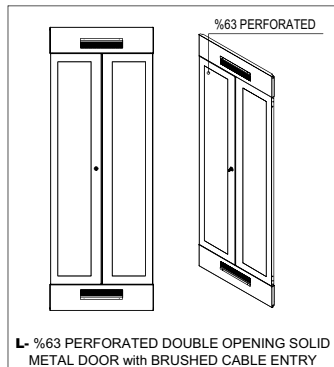
Not available for cabinets lower than 26U

Not available for cabinets lower than 26U

FRONT ❌ REAR ✔️

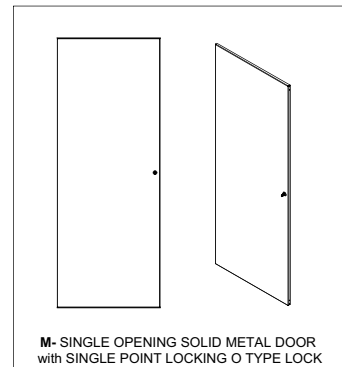


FRONT ❌ REAR ✔️



Not available for cabinets lower than 26U

FRONT ❌ REAR ✔️



19" DYNAmic

Free Standing Cabinets

Width: 800 mm
Depth: 600 mm

Door Options



DYNAmic Free Standing Cabinet W=800 mm D=600 mm All Heights FRONT DOOR Options	DYNAmic Free Standing Cabinet W=800 mm D=600 mm All Heights REAR DOOR Options	DYNAmic Free Standing Cabinet W=800 mm D=600 mm All Heights SIDE PANEL Options
<p>C %63 perforated single opening flat door</p> <p>D Single opening solid metal door</p> <p>E Double opening side aluminium framed glass door</p> <p>F Double opening solid metal door</p> <p>G %63 perforated double opening flat door</p> <p>H Single opening flat complete framed glass door</p> <p>P Double opening metal framed glass door</p> <p>R %80 perforated double opening door</p> <p>S %80 perforated single opening door</p> <p>U %63 perforated curved door</p> <p>Y %80 perforated curved door</p> <p>Z Single opening metal side framed glass door</p>	<p>A Solid metal rear panel</p> <p>C %63 perforated single opening flat door</p> <p>D Single opening solid metal door</p> <p>F Double opening solid metal door</p> <p>G %63 perforated double opening flat door</p> <p>I Single opening solid metal door with brushed cable entry</p> <p>J Double opening solid metal door with brushed cable entry</p> <p>K %63 perforated single opening solid metal door with brushed cable entry</p> <p>L %63 perforated double opening solid metal door with brushed cable entry</p> <p>M Single opening solid metal door with header compatible</p> <p>N Double opening solid metal door with header compatible</p> <p>R %80 perforated double opening door</p> <p>S %80 perforated single opening door</p>	<p>AA Both sides equipped with standard side panels</p> <p>A0 One side panel on cabinet</p> <p>00 No side panels on cabinet</p>
LN-AA - XXU - WW - DD - CC - (E optional)		0 0 00
<p>LN: Corporate codification beginning letters mentioning Lande in Short Format as LN</p> <p>AA: Family group of enclosure; FS for networking enclosures range</p> <p>XX: Numeric character defining the height of enclosures, depending on model differences between 22 to 47 to be selected from price list, website or catalogue</p> <p>U: U height alphanumeric notation, concrete (non editable- fixed character)</p> <p>WW: The first 2 digits of the width info, 80 for W=800 mm cabinets</p> <p>DD: The first 2 digits of the depth info, 60 for D=600 mm cabinets</p> <p>CC: Color code, LG for Light Grey RAL 7035, BL for Black RAL 9005</p> <p>E: Optional code extension for enhanced static load capacity up to 1000 kgs.</p>		<p>C-D-F-G-H-P-R-S-U-Y-Z options, unless defined E type door will be in shipping configuration.</p> <p>C-D-F-G-I-J-K-L-M-N-R-S options, unless defined A type door will be in shipping configuration.</p> <p>AA both sides equipped with standard side panels A0 one side panel on cabinet 00 no side panels on cabinet.</p>

19" DYNAmic

Free Standing Cabinets

Width: 800 mm
Depth: 800 mm

Static Load Capacity Standard
Configuration: 600 kgs.

**U Height: 22U, 26U, 32U, 36U, 39U,
42U, 45U, 47U**

Standards and Compliances:



ISO 9001
Quality Management System

EN 61587-1
Mechanical Structures for
Electronic Equipment

EN IEC 60297, 19" Mounting
EN IEC 60917 Overall Cabinet
Dimensions

EN/IEC 60529 - IP20 Ingress Protection
performance

EN/IEC 62262 - IK07 Mechanical
Impact Resistance

EIA/ ECA-310 (D/E) 19" 482,6 mm
and U 44,45 mm Height Sizing



CE conform to
EN 60950-1
Information Technology
Equipment, Safety,
Part-1: General Requirement

EN IEC 62368-1 Audio/Video, Information
and Communication Technology Equipment
Part 1: Safety requirements



UL listed to
UL 2416, Outline of Investigation for
Audio/Video, Information and
Communication Technology Equipment
Cabinet, Enclosure and Rack
Systems; UL 60950-1 and CSA C22.2
NO. 60950-1-07, Information Technology
Equipment Safety
Part 1: General Requirements



Environment Friendly;
ISO 14001 Environmental
Management System
RoHS compliancy
%100 Recyclable Material



ISO 45001
**The Occupational Health and Safety
Management System**

Standard Color:



RAL 7035 Light Grey



RAL 9005 Black

Static Load Capacity Enhanced (E)
Configuration: Up to 1000 kgs.



DYNAmic Series Networking Enclosures, with 19" w:800 mm and d:800 mm physical sizes, with max internal usable depth, and 8 different height, gives a wide selection chart for users.

All w:800 mm model cabinets are constructionally proper for the vertical cable management systems. The Lande 800 wide segment designed with highly efficient and customer friendly vertical cable management.

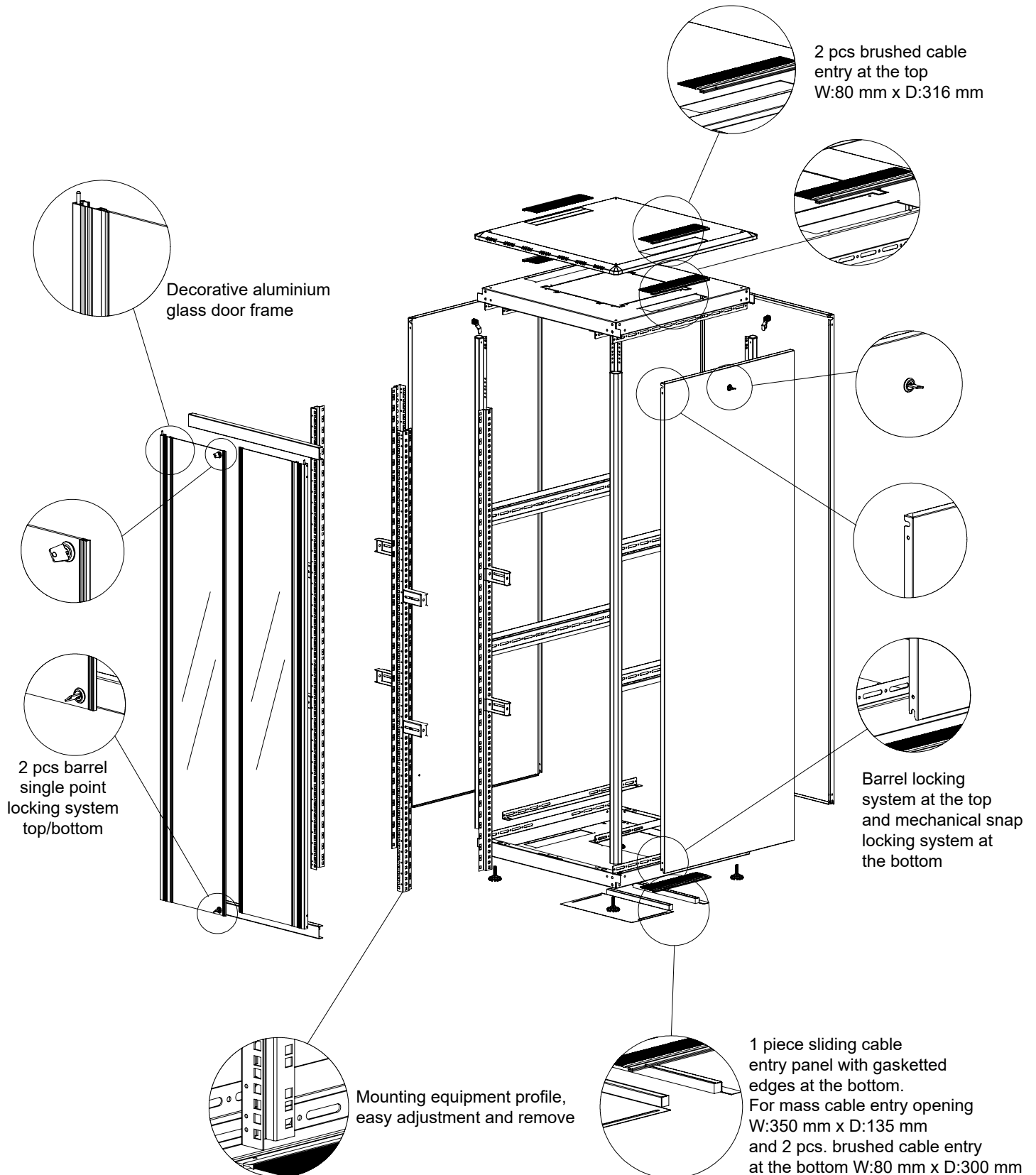
Please see door options in page 47 and 48.

19" DYNAmic

Free Standing Cabinets

Width: 800 mm
Depth: 800 mm

Exploded View

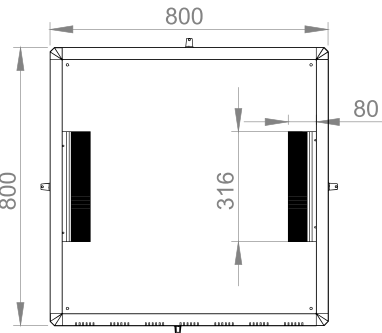
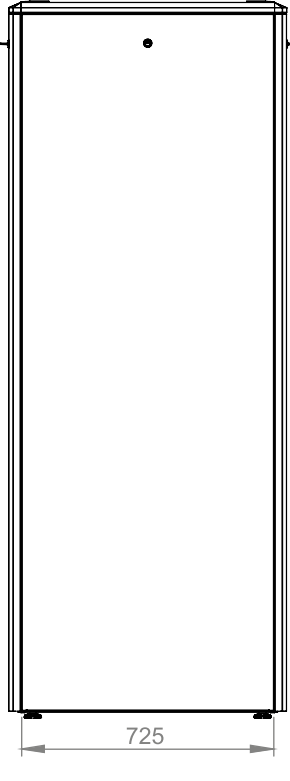
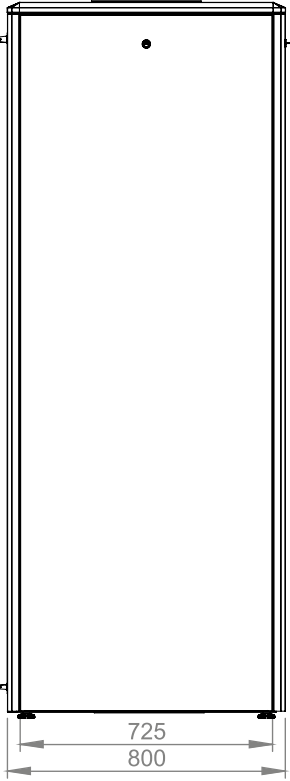
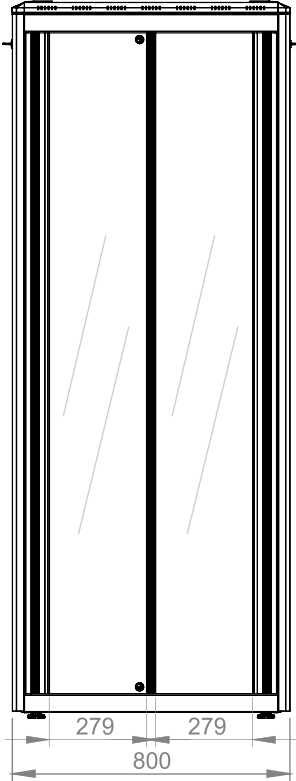
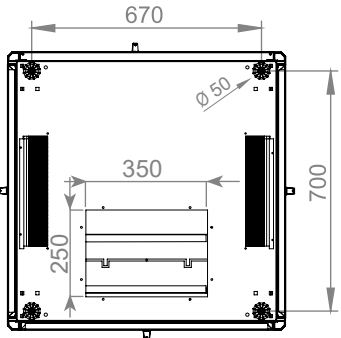


19" DYNAmic

Free Standing Cabinets

Width: 800 mm
Depth: 800 mm

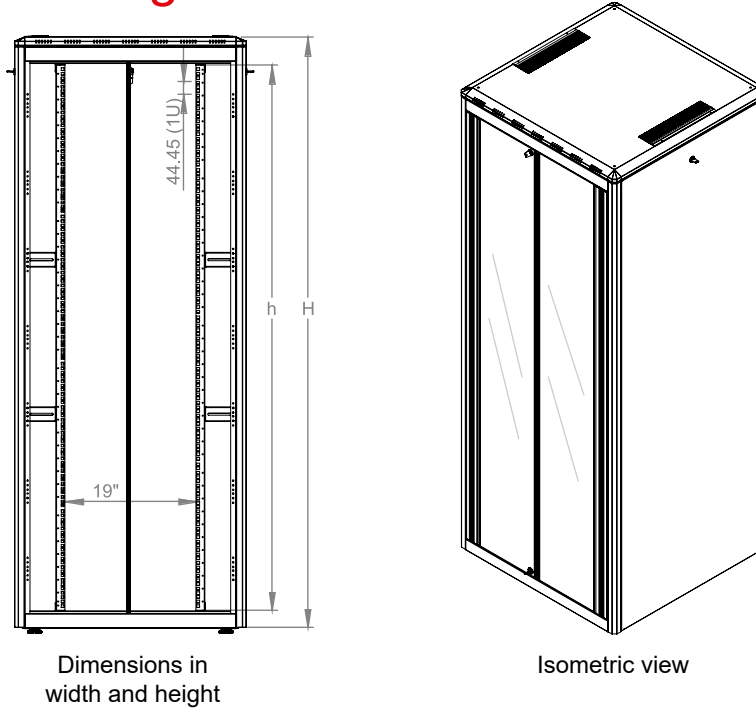
Construction Drawing



19" DYNAmic Free Standing Cabinets

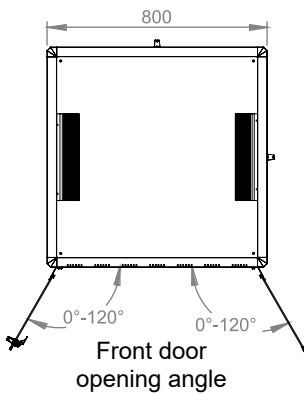
Width: 800 mm
Depth: 800 mm

Construction Drawing

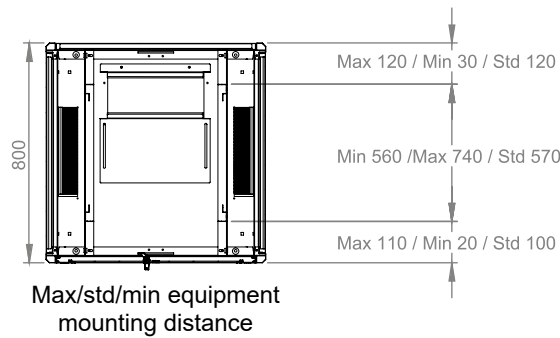


Dimensions in width and height

Isometric view



Front door opening angle



Max/std/min equipment mounting distance

	h	H
22U	978 mm	1164 mm
26U	1155 mm	1342 mm
32U	1422 mm	1609 mm
36U	1600 mm	1787 mm
39U	1733 mm	1920 mm
42U	1867 mm	2053 mm
45U	2000 mm	2187 mm
47U	2089 mm	2276 mm

19" DYNAmic Series Free Standing Cabinets W=800 mm D=800 mm

Product Number***	Product Description	Size WxDxH mm	h Size in U	h in mm	*H mm, overall without feet and/or castor	Width Overall mm	Width Rail to Rail	Depth Overall mm	**Depth Shipping Conf. Rail to Rail mm	QTY IN PACKAGE	PACKING DIMENSIONS WxDxH mm	Standard NET Weight of Product kgs	Gross Weight of Product kgs	QTY IN PALLET	PALLET DIMENSIONS WxDxH mm	Pallet Weight kgs
LN-FS22U8080-CC-EAAA	22U 19" Free Standing Cabinet W=800 mm D=800 mm	800x800x1164	22U	978	1164	800	19"	800	570	1	880x880x1305	64,3	77,5	1	880x880x1305	77,5
LN-FS26U8080-CC-EAAA	26U 19" Free Standing Cabinet W=800 mm D=800 mm	800x800x1342	26U	1155	1342	800	19"	800	570	1	880x880x1482	70	83,8	1	880x880x1482	83,8
LN-FS32U8080-CC-EAAA	32U 19" Free Standing Cabinet W=800 mm D=800 mm	800x800x1609	32U	1422	1609	800	19"	800	570	1	880x880x1749	80,4	84,9	1	880x880x1749	84,9
LN-FS36U8080-CC-EAAA	36U 19" Free Standing Cabinet W=800 mm D=800 mm	800x800x1787	36U	1600	1787	800	19"	800	570	1	880x880x1927	87	102,2	1	880x880x1927	102,2
LN-FS39U8080-CC-EAAA	39U 19" Free Standing Cabinet W=800 mm D=800 mm	800x800x1920	39U	1733	1920	800	19"	800	570	1	880x880x2063	91	106,5	1	880x880x2063	106,5
LN-FS42U8080-CC-EAAA	42U 19" Free Standing Cabinet W=800 mm D=800 mm	800x800x2053	42U	1867	2053	800	19"	800	570	1	880x880x2193	95,5	111,3	1	880x880x2193	111,3
LN-FS45U8080-CC-EAAA	45U 19" Free Standing Cabinet W=800 mm D=800 mm	800x800x2187	45U	2000	2187	800	19"	800	570	1	880x880x2327	100	116,6	1	880x880x2327	116,6
LN-FS47U8080-CC-EAAA	47U 19" Free Standing Cabinet W=800 mm D=800 mm	800x800x2276	47U	2089	2276	800	19"	800	570	1	880x880x2416	106	123	1	880x880x2416	123

* Please add 30 mm to H mm once used with leveling feet, add 80 mm to H mm once used with castor set.

** See min and max adjustable depth variations on drawings.

***CC= LG for Light Grey RAL 7035 & BL for Black RAL 9005 for customers to define while ordering, for "EAAA" selection please see the door options.

***Cabinet nominal load capacity is 600 kgs. as per UL 2416 safety mark. However project case we configure the rack up to 1000 kgs. of load capacity with additional suport barsthicker 19" rails with 2 mm thickness, please add E (Enhanced notification defining load capacity requirement is up to 1000 kgs.) at the end of part number. Example LN-FS42U8080-BL-EAAA-E.

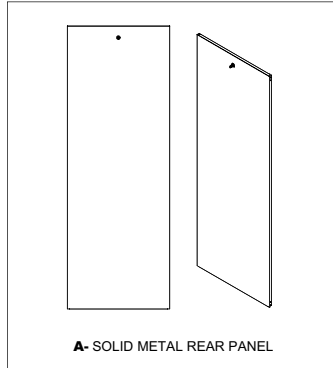
19" DYNAmic

Free Standing Cabinets

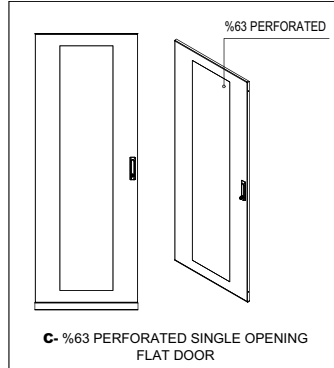
Width: 800 mm
Depth: 800 mm

Door Options

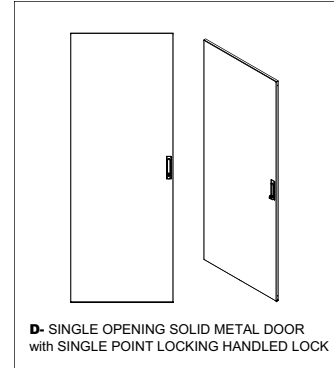
FRONT ❌ REAR ✔️



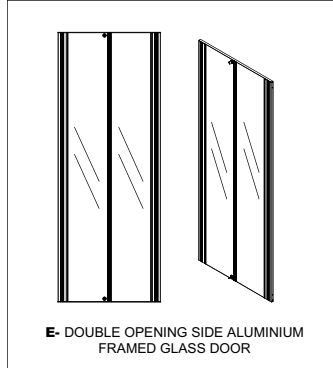
FRONT ✔️ REAR ✔️



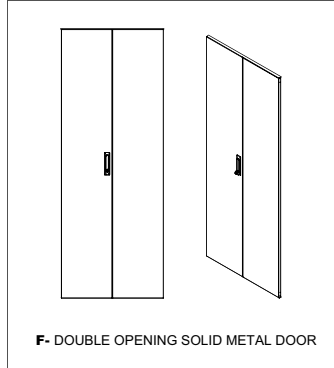
FRONT ✔️ REAR ✔️



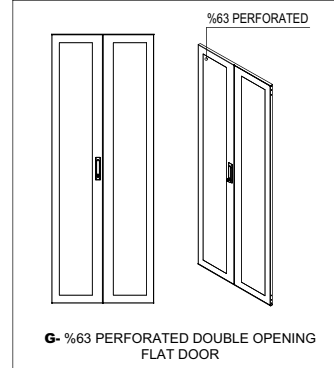
FRONT ✔️ REAR ❌



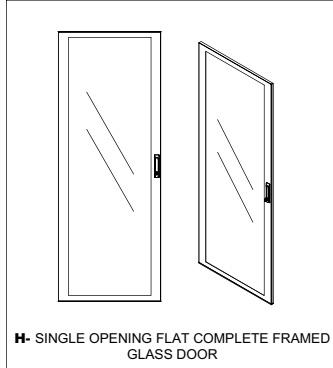
FRONT ✔️ REAR ✔️



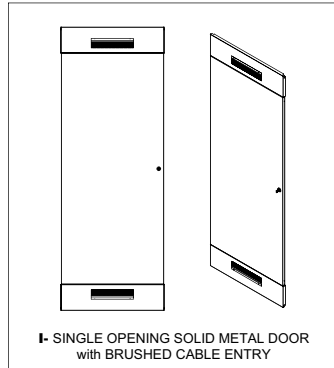
FRONT ✔️ REAR ✔️



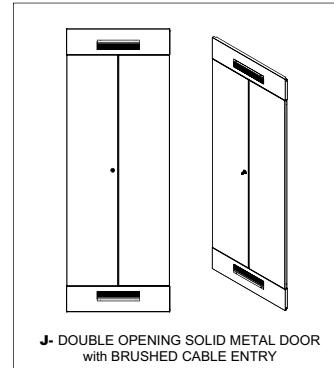
FRONT ✔️ REAR ❌



FRONT ❌ REAR ✔️



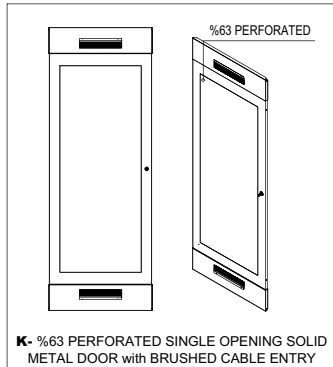
FRONT ❌ REAR ✔️



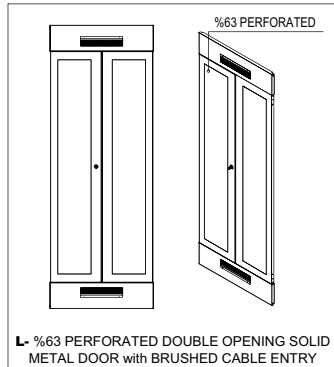
Not available for cabinets lower than 26U

Not available for cabinets lower than 26U

FRONT ❌ REAR ✔️

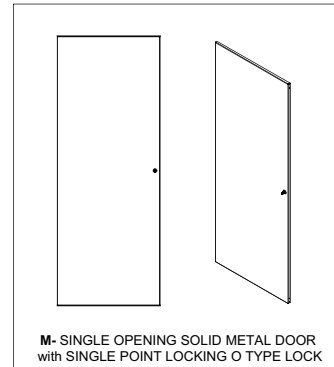


FRONT ❌ REAR ✔️



Not available for cabinets lower than 26U

FRONT ❌ REAR ✔️

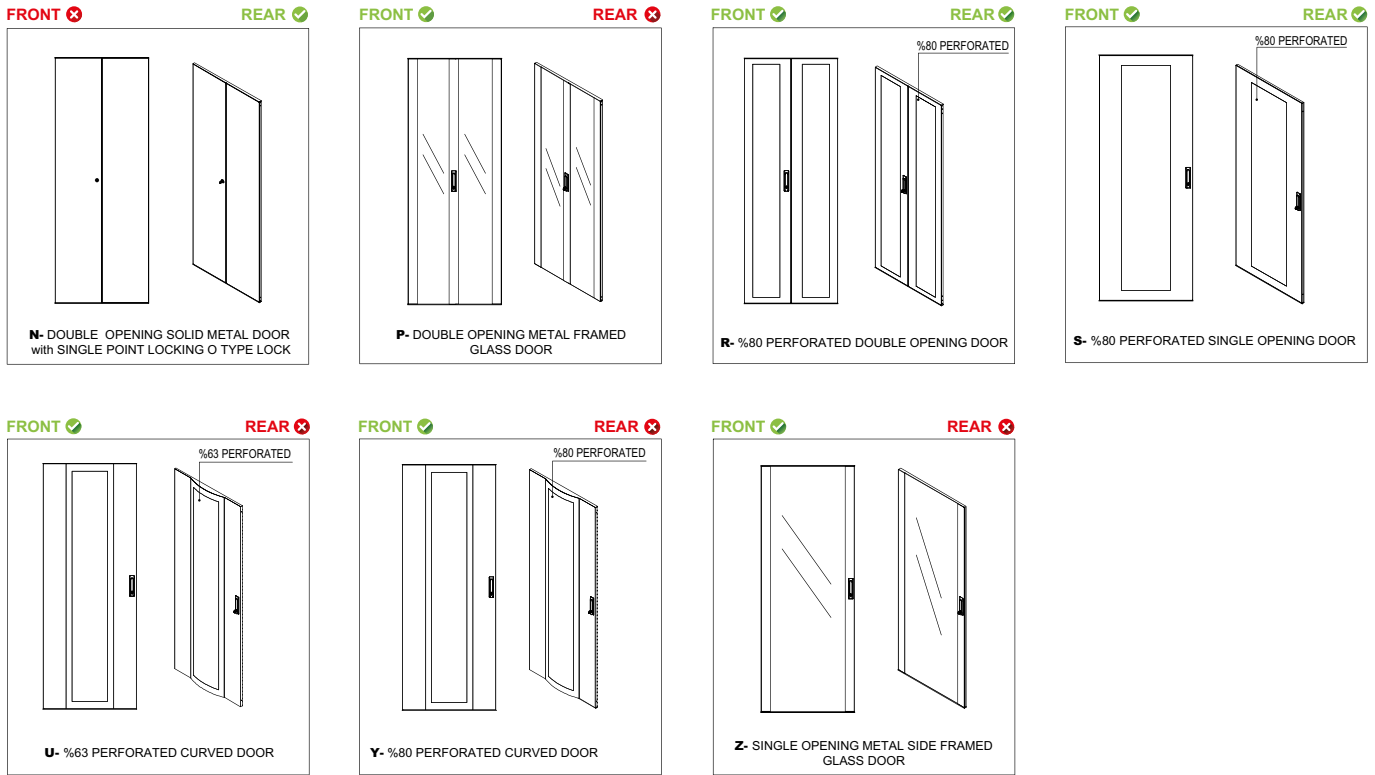


19" DYNAmic

Free Standing Cabinets

Width: 800 mm
Depth: 800 mm

Door Options



DYNAmic Free Standing Cabinet W=800 mm D=800 mm All Heights FRONT DOOR Options	DYNAmic Free Standing Cabinet W=800 mm D=800 mm All Heights REAR DOOR Options	DYNAmic Free Standing Cabinet W=800 mm D=800 mm All Heights SIDE PANEL Options
<p>C %63 perforated single opening flat door</p> <p>D Single opening solid metal door</p> <p>E Double opening side aluminium framed glass door</p> <p>F Double opening solid metal door</p> <p>G %63 perforated double opening flat door</p> <p>H Single opening flat complete framed glass door</p> <p>P Double opening metal framed glass door</p> <p>R %80 perforated double opening door</p> <p>S %80 perforated single opening door</p> <p>U %63 perforated curved door</p> <p>Y %80 perforated curved door</p> <p>Z Single opening metal side framed glass door</p>	<p>A Solid metal rear panel</p> <p>C %63 perforated single opening flat door</p> <p>D Single opening solid metal door</p> <p>F Double opening solid metal door</p> <p>G %63 perforated double opening flat door</p> <p>I Single opening solid metal door with brushed cable entry</p> <p>J Double opening solid metal door with brushed cable entry</p> <p>K %63 perforated single opening solid metal door with brushed cable entry</p> <p>L %63 perforated double opening solid metal door with brushed cable entry</p> <p>M Single opening solid metal door with header compatible</p> <p>N Double opening solid metal door with header compatible</p> <p>R %80 perforated double opening door</p> <p>S %80 perforated single opening door</p>	<p>AA Both sides equipped with standard side panels</p> <p>A0 One side panel on cabinet</p> <p>00 No side panels on cabinet</p>
LN-AA - XXU - WW - DD - CC - (E optional)		0 0 00
<p>LN: Corporate codification beginning letters mentioning Lande in Short Format as LN</p> <p>AA: Family group of enclosure; FS for networking enclosures range</p> <p>XX: Numeric character defining the height of enclosures, depending on model differences between 22 to 47 to be selected from price list, website or catalogue</p> <p>U: U height alphanumeric notation, concrete (non editable- fixed character)</p> <p>WW: The first 2 digits of the width info, 80 for W=800 mm cabinets</p> <p>DD: The first 2 digits of the depth info, 80 for D=800 mm cabinets</p> <p>CC: Color code, LG for Light Grey RAL 7035, BL for Black RAL 9005</p> <p>E: Optional code extention for enhanced static load capacity up to 1000 kgs.</p>		<p>C-D-F-G-H-P-R-S-U-Y-Z options, unless defined E type door will be in shipping configuration.</p> <p>C-D-F-G-I-J-K-L-M-N-R-S options, unless defined A type door will be in shipping configuration.</p> <p>AA both sides equipped with standard side panels A0 one side panel on cabinet 00 no side panels on cabinet.</p>

19" DYNAmic

Free Standing Cabinets

Width: 800 mm
Depth: 1000 mm

Static Load Capacity Standard
Configuration: 600 kgs.

Static Load Capacity Enhanced (E)
Configuration: Up to 1000 kgs.

U Height: 42U, 45U, 47U

Standards and Compliances:



ISO 9001
Quality Management System

EN 61587-1
Mechanical Structures for
Electronic Equipment

EN IEC 60297, 19" Mounting
EN IEC 60917 Overall Cabinet
Dimensions

EN/IEC 60529 - IP20 Ingress Protection
performance

EN/IEC 62262 - IK07 Mechanical
Impact Resistance

EIA/ ECA-310 (D/E) 19" 482,6 mm
and U 44,45 mm Height Sizing



CE conform to
EN 60950-1
Information Technology
Equipment, Safety,
Part-1: General Requirement

EN IEC 62368-1 Audio/Video, Information
and Communication Technology Equipment
Part 1: Safety requirements



UL listed to
UL 2416, Outline of Investigation for
Audio/Video, Information and
Communication Technology Equipment
Cabinet, Enclosure and Rack
Systems; UL 60950-1 and CSA C22.2
NO. 60950-1-07, Information Technology
Equipment Safety
Part 1: General Requirements



Environment Friendly;
ISO 14001 Environmental
Management System
RoHS compliancy
%100 Recyclable Material



ISO 45001
The Occupational Health and Safety
Management System

Standard Color:



RAL 7035 Light Grey



RAL 9005 Black



DYNAmic Series Networking Enclosures, with 19" w:800 mm and d:1000 mm physical sizes, with max internal usable depth and 3 different heights.

All w:800 mm model cabinets are constructionally proper for the vertical cable management systems. The Lande 800 wide segment designed with highly efficient and customer friendly vertical cable anagement channel.

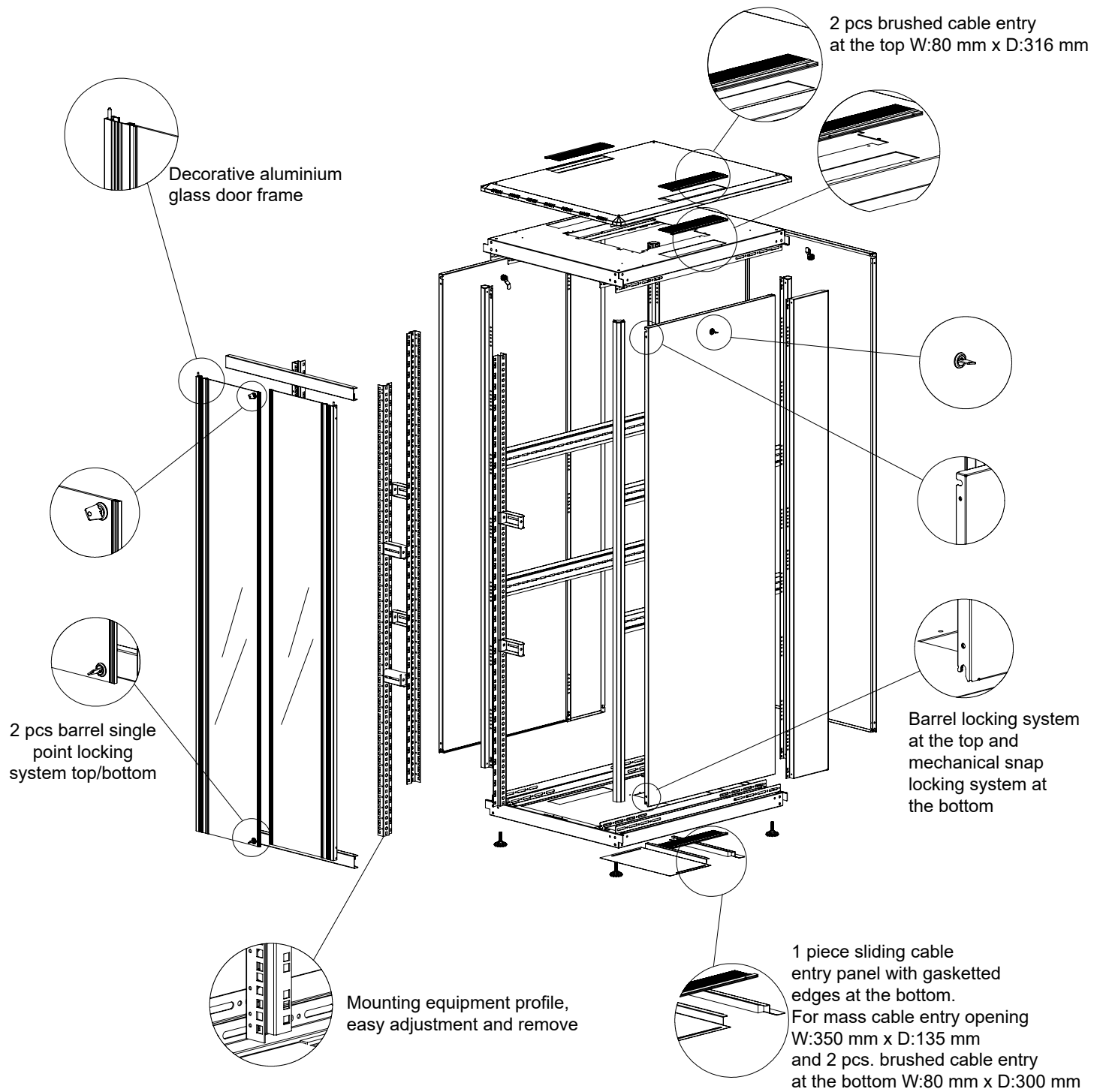
Please see door options in page 53 and 54.

19" DYNAmic

Free Standing Cabinets

Width: 800 mm
Depth: 1000 mm

Exploded View

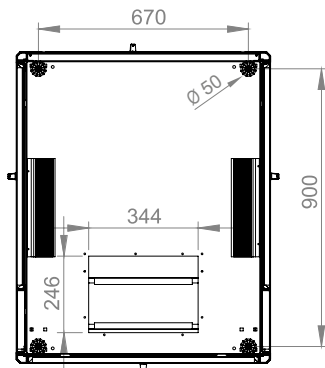


19" DYNAmic

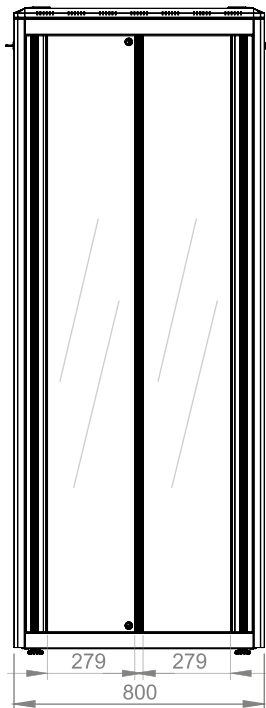
Free Standing Cabinets

Width: 800 mm
Depth: 1000 mm

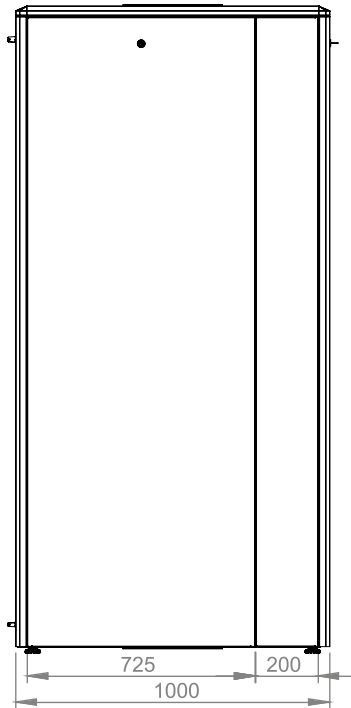
Construction Drawing



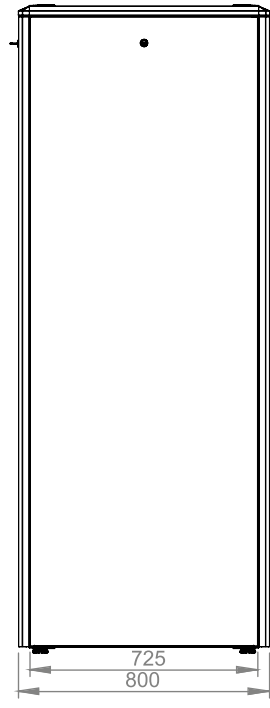
Bottom view



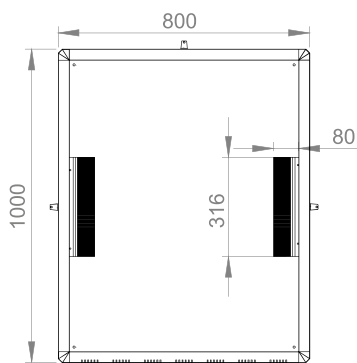
Front view



Side view



Rear view



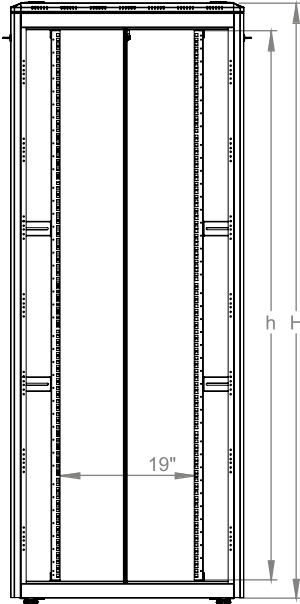
Top view

19" DYNAmic

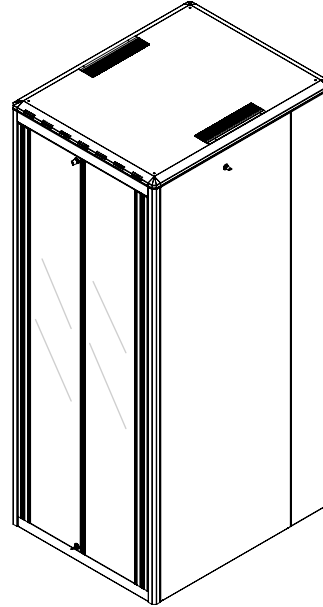
Free Standing Cabinets

Width: 800 mm
Depth: 1000 mm

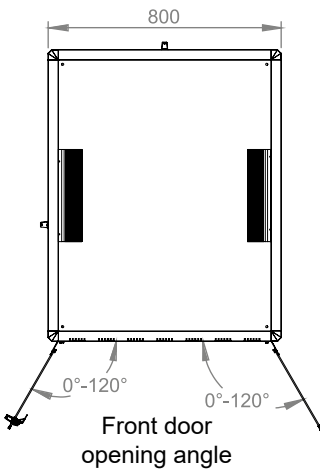
Construction Drawing



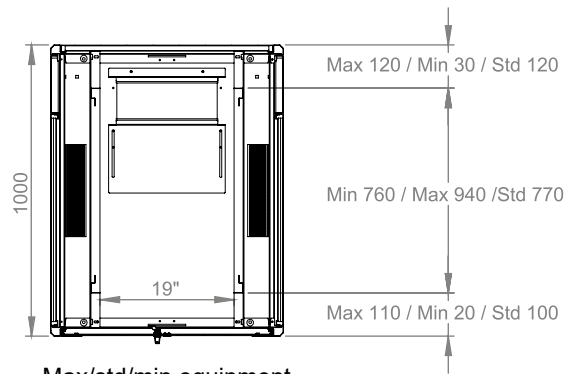
Dimensions in width and height



Isometric view



Front door opening angle



Max/std/min equipment mounting distance

	h	H
42U	1867 mm	2053 mm
45U	2000 mm	2187 mm
47U	2089 mm	2276 mm

19" DYNAmic Series Free Standing Cabinets W=800 mm D=1000 mm

Product Number***	Product Description	Size WxDxH mm	h Size in U	h in mm	*H mm, overall without feet and/or castor	Width Overall mm	Width Rail to Rail	Depth Overall mm	**Depth Shipping Conf. Rail to Rail mm	QTY IN PACKAGE	PACKING DIMENSIONS WxDxH mm	Standard NET Weight of Product kgs	Gross Weight of Product kgs	QTY IN PALLET	PALLET DIMENSIONS WxDxH mm	Pallet Weight kgs
LN-FS42U8010-CC-EAAA	42U 19" Free Standing Cabinet W=800 mm D=1000 mm	800x1000x2053	42U	1867	2053	800	19"	1000	770	1	880x1080x2193	118	136,7	1	880x1080x2193	136,7
LN-FS45U8010-CC-EAAA	45U 19" Free Standing Cabinet W=800 mm D=1000 mm	800x1000x2187	45U	2000	2187	800	19"	1000	770	1	880x1080x2327	123,5	142,7	1	880x1080x2194	142,7
LN-FS47U8010-CC-EAAA	47U 19" Free Standing Cabinet W=800 mm D=1000 mm	800x1000x2276	47U	2089	2276	800	19"	1000	770	1	880x1080x2416	131	150	1	880x1080x2416	150

* Please add 30 mm to H mm once used with leveling feet, add 80 mm to H mm once used with castor set.

** See min and max adjustable depth variations on drawings.

***CC= LG for Light Grey RAL 7035 & BL for Black RAL 9005 for customers to define while ordering, for "EAAA" selection please see the door options.

***Cabinet nominal load capacity is 600 kgs. as per UL 2416 safety mark. However project case we configure the rack up to 1000 kgs. of load capacity with additional suport barsthicker 19" rails with 2 mm thickness, please add E (Enhanced notification defining load capacity requirement is up to 1000 kgs.) at the end of part number. Example LN-FS42U8010-BL-EAAA-E.

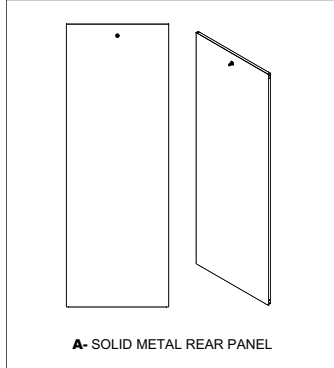
19" DYNAmic

Free Standing Cabinets

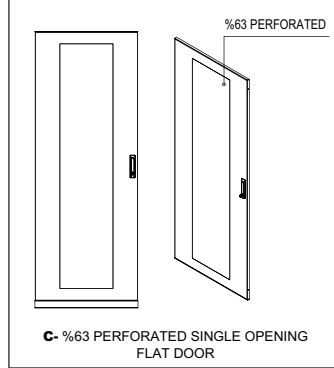
Width: 800 mm
Depth: 1000 mm

Door Options

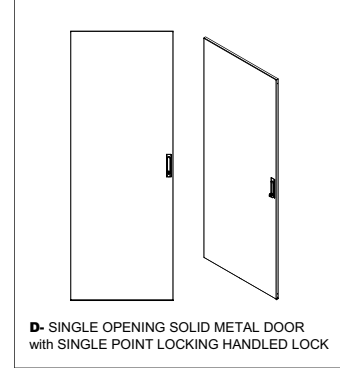
FRONT ❌ REAR ✔️



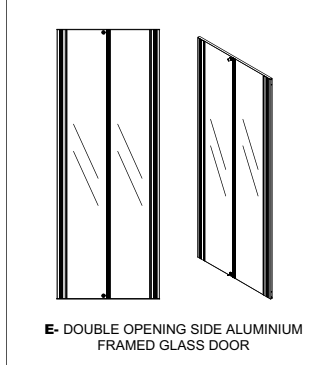
FRONT ✔️ REAR ✔️



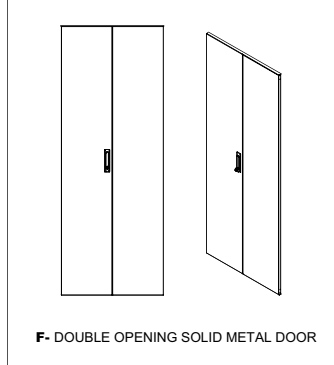
FRONT ✔️ REAR ✔️



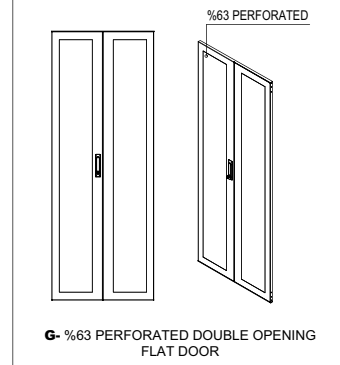
FRONT ✔️ REAR ❌



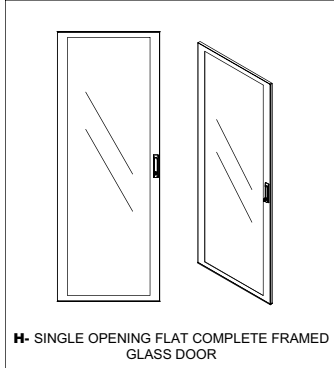
FRONT ✔️ REAR ✔️



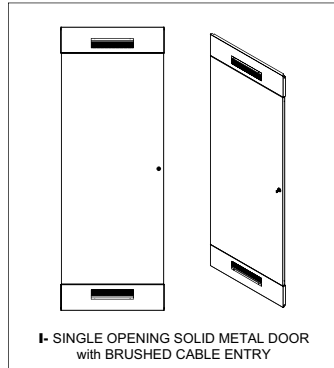
FRONT ✔️ REAR ✔️



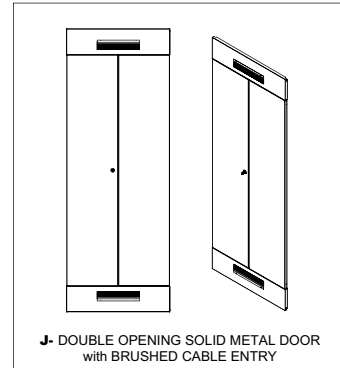
FRONT ✔️ REAR ❌



FRONT ❌ REAR ✔️



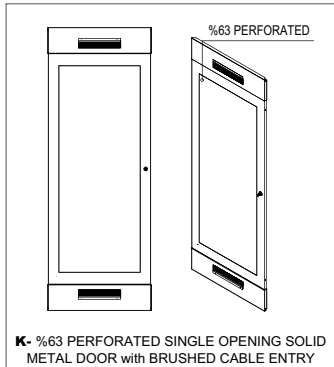
FRONT ❌ REAR ✔️



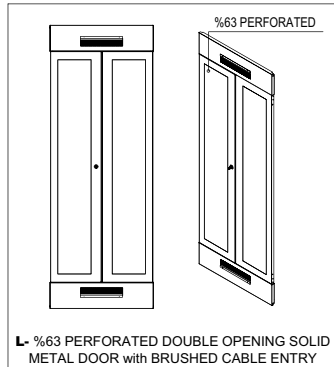
Not available for cabinets lower than 26U

Not available for cabinets lower than 26U

FRONT ❌ REAR ✔️

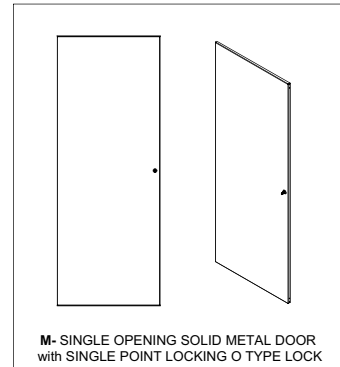


FRONT ❌ REAR ✔️



Not available for cabinets lower than 26U

FRONT ❌ REAR ✔️

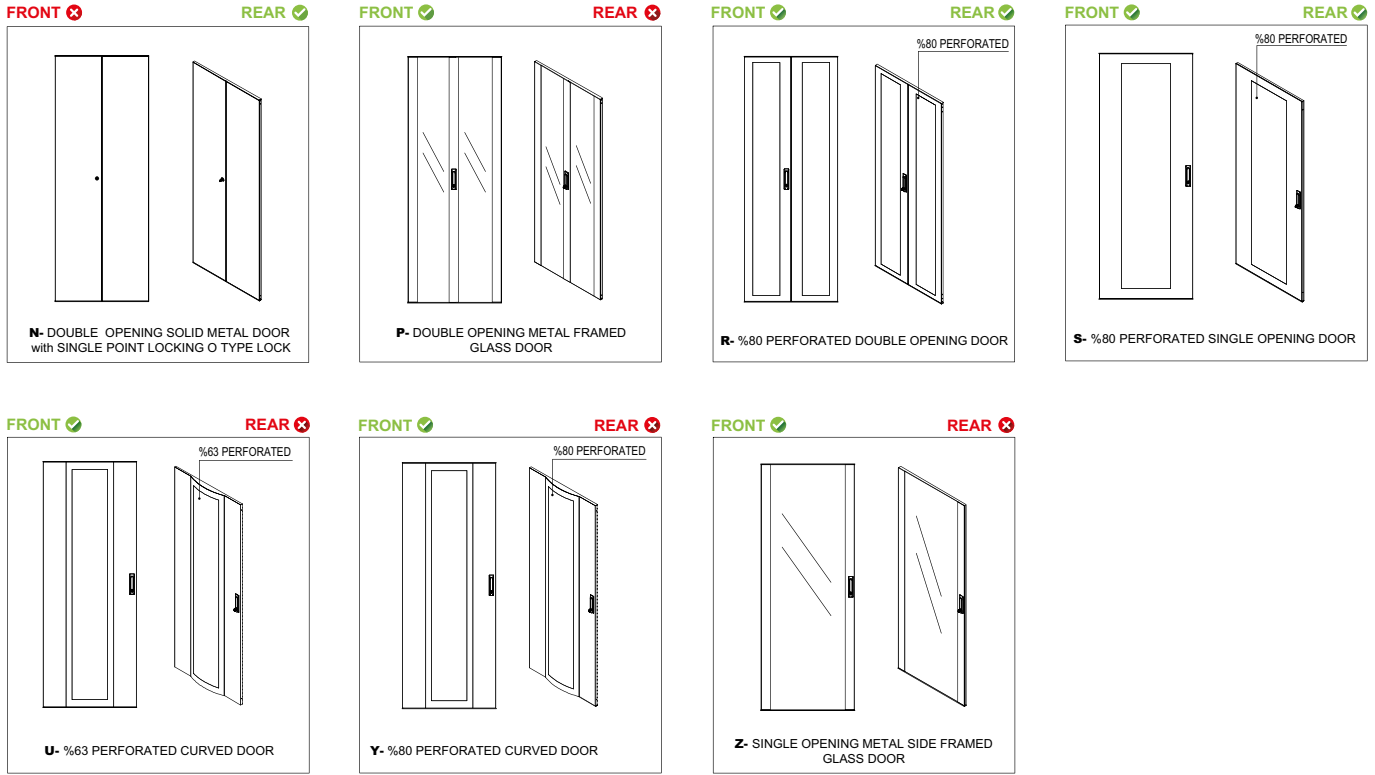


19" DYNAmic

Free Standing Cabinets

Width: 800 mm
Depth: 1000 mm

Door Options



DYNAmic Free Standing Cabinet W=800 mm D=1000 mm All Heights FRONT DOOR Options	DYNAmic Free Standing Cabinet W=800 mm D=1000 mm All Heights REAR DOOR Options	DYNAmic Free Standing Cabinet W=800 mm D=1000 mm All Heights SIDE PANEL Options
C %63 perforated single opening flat door D Single opening solid metal door E Double opening side aluminium framed glass door F Double opening solid metal door G %63 perforated double opening flat door H Single opening flat complete framed glass door P Double opening metal framed glass door R %80 perforated double opening door S %80 perforated single opening door U %63 perforated curved door Y %80 perforated curved door Z Single opening metal side framed glass door	A Solid metal rear panel C %63 perforated single opening flat door D Single opening solid metal door F Double opening solid metal door G %63 perforated double opening flat door I Single opening solid metal door with brushed cable entry J Double opening solid metal door with brushed cable entry K %63 perforated single opening solid metal door with brushed cable entry L %63 perforated double opening solid metal door with brushed cable entry M Single opening solid metal door with header compatible N Double opening solid metal door with header compatible R %80 perforated double opening door S %80 perforated single opening door	AA Both sides equipped with standard side panels A0 One side panel on cabinet 00 No side panels on cabinet
LN-AA - XXU - WW - DD - CC - (E optional)		0 0 00
LN: Corporate codification beginning letters mentioning Lande in Short Format as LN AA: Family group of enclosure; FS for networking enclosures range XX: Numeric character defining the height of enclosures, depending on model differences between 42 to 47 to be selected from price list, website or catalogue U: U height alphanumeric notation, concrete (non editable- fixed character) WW: The first 2 digits of the width info, 80 for W=800 mm cabinets DD: The first 2 digits of the depth info, 10 for D=1000 mm cabinets CC: Color code, LG for Light Grey RAL 7035, BL for Black RAL 9005 E: Optional code extention for enhanced static load capacity up to 1000 kgs.		<div style="border: 1px solid black; padding: 5px; margin-bottom: 10px;"> C-D-F-G-H-P-R-S-U-Y-Z options, unless defined E type door will be in shipping configuration. </div> <div style="border: 1px solid black; padding: 5px; margin-bottom: 10px;"> C-D-F-G-I-J-K-L-M-N-R-S options, unless defined A type door will be in shipping configuration. </div> <div style="border: 1px solid black; padding: 5px;"> AA both sides equipped with standard side panels A0 one side panel on cabinet 00 no side panels on cabinet. </div>

19" DYNAmic

Free Standing Cabinets

Width: 800 mm
Depth: 1200 mm

Static Load Capacity Standard
Configuration: 600 kgs.

Static Load Capacity Enhanced (E)
Configuration: Up to 1000 kgs.

U Height: 42U, 45U, 47U

Standards and Compliances:



ISO 9001
Quality Management System

EN 61587-1
Mechanical Structures for
Electronic Equipment

EN IEC 60297, 19" Mounting
EN IEC 60917 Overall Cabinet
Dimensions

EN/IEC 60529 - IP20 Ingress Protection
performance

EN/IEC 62262 - IK07 Mechanical
Impact Resistance

EIA/ ECA-310 (D/E) 19" 482,6 mm
and U 44,45 mm Height Sizing



CE conform to
EN 60950-1
Information Technology
Equipment, Safety,
Part-1: General Requirement

EN IEC 62368-1 Audio/Video, Information
and Communication Technology Equipment
Part 1: Safety requirements



UL listed to
UL 2416, Outline of Investigation for
Audio/Video, Information and
Communication Technology Equipment
Cabinet, Enclosure and Rack
Systems; UL 60950-1 and CSA C22.2
NO. 60950-1-07, Information Technology
Equipment Safety
Part 1: General Requirements



Environment Friendly;
ISO 14001 Environmental
Management System
RoHS compliancy
%100 Recyclable Material



ISO 45001
The Occupational Health and Safety
Management System

Standard Color:



RAL 7035 Light Grey



RAL 9005 Black



DYNAmic Series Networking Enclosures, with 19" w:800 mm and d:1200 mm physical sizes, with max internal usable depth and 3 different heights.

All w:800 mm model cabinets are constructionally proper for the vertical cable management systems. The Lande 800 wide segment designed with highly efficient and customer friendly vertical cable anagement channel.

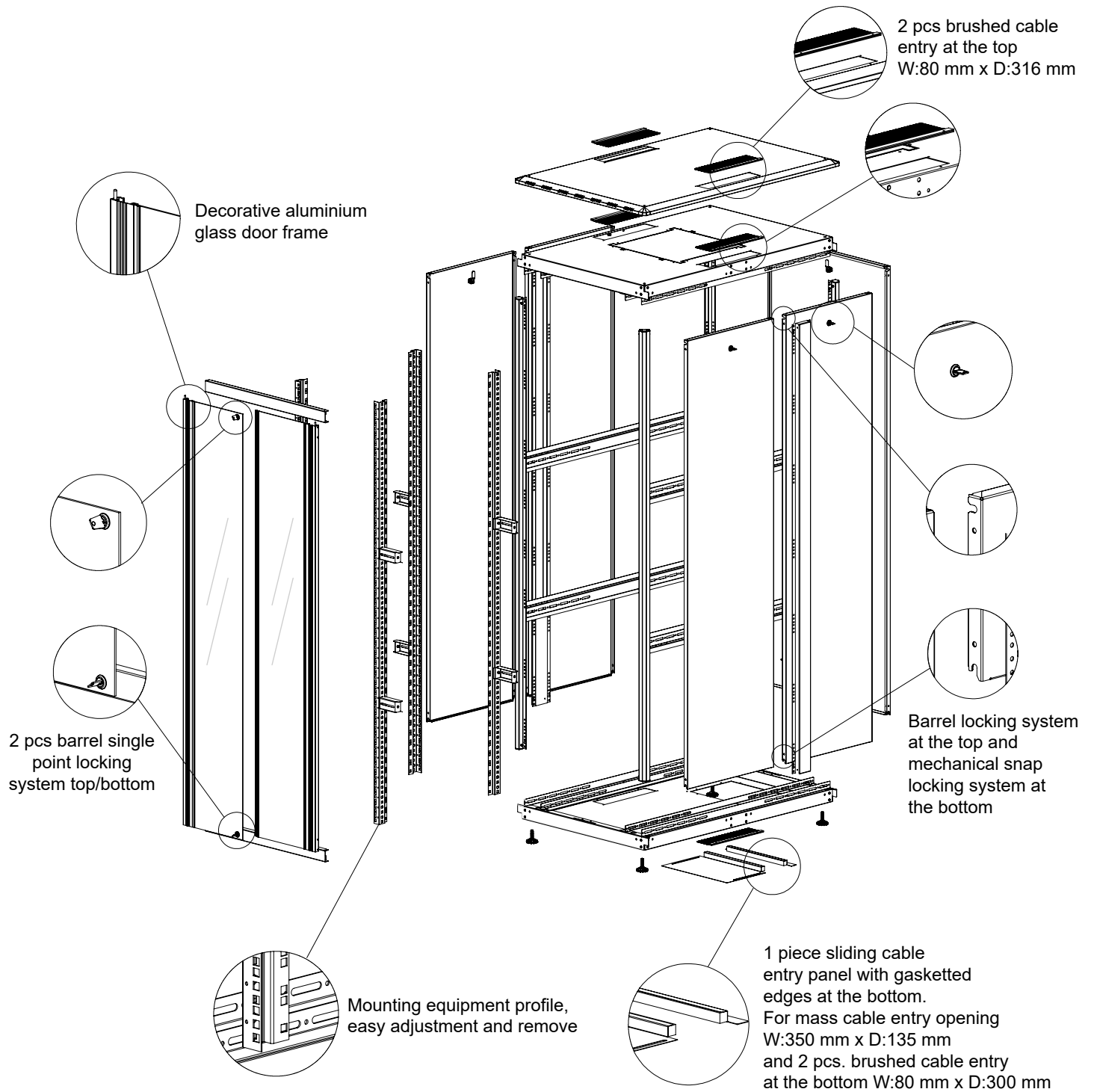
Please see door options in page 59 and 60.

19" DYNAmic

Free Standing Cabinets

Width: 800 mm
Depth: 1200 mm

Exploded View

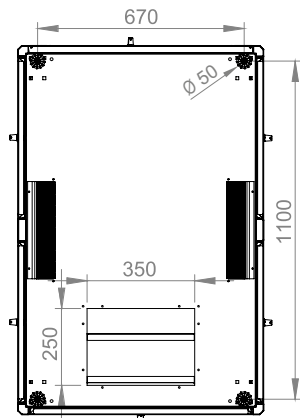


19" DYNAmic

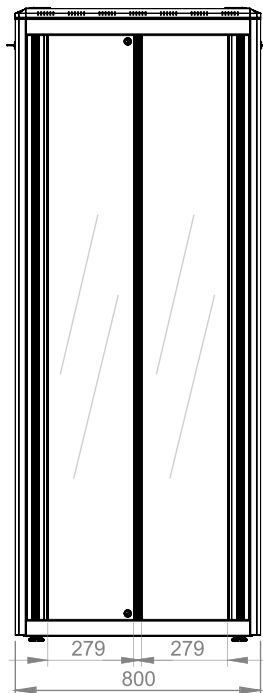
Free Standing Cabinets

Width: 800 mm
Depth: 1200 mm

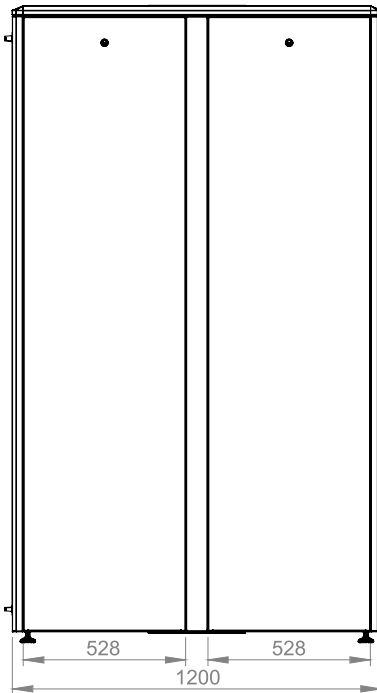
Construction Drawing



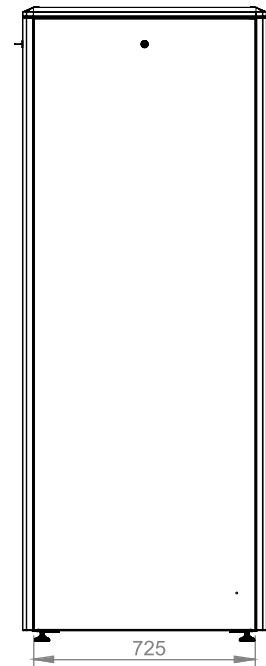
Bottom view



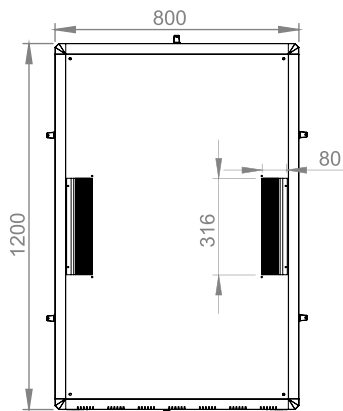
Front view



Side view



Rear view



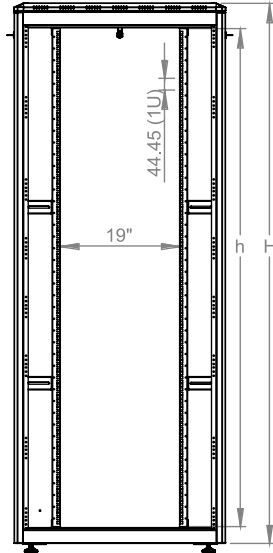
Top view

19" DYNAmic

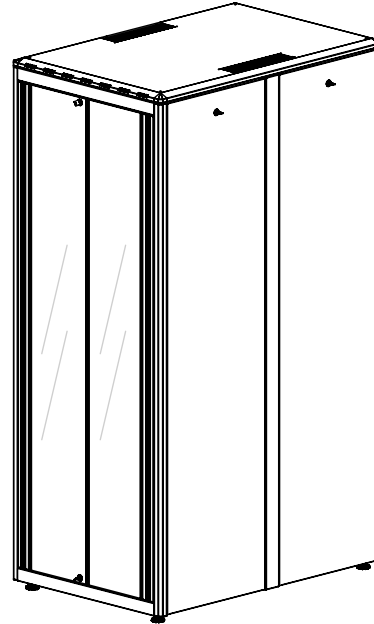
Free Standing Cabinets

Width: 800 mm
Depth: 1200 mm

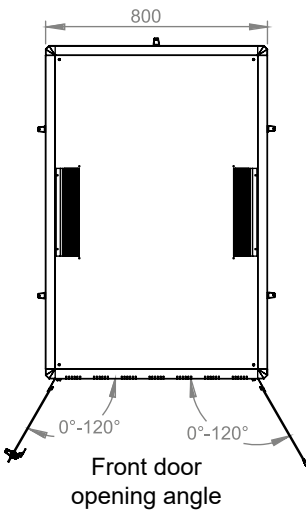
Construction Drawing



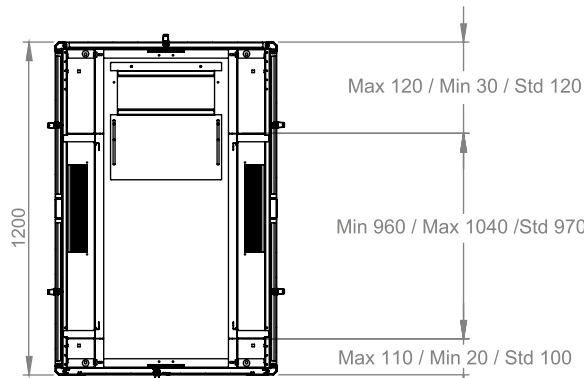
Dimensions in width and height



Isometric view



Front door opening angle



Max/std/min equipment mounting distance

	h	H
42U	1867 mm	2053 mm
45U	2000 mm	2187 mm
47U	2089 mm	2276 mm

19" DYNAmic Series Free Standing Cabinets W=800 mm D=1200 mm

Product Number***	Product Description	Size WxDxH mm	h Size in U	h in mm	H mm, overall without feet and/or castor	Width Overall mm	Width Rail to Rail	Depth Overall mm	**Depth Shipping Cont. Rail to Rail mm	QTY IN PACKAGE	PACKING DIMENSIONS WxDxH mm	Standard NET Weight of Product kgs	Gross Weight of Product kgs	QTY IN PALLET	PALLET DIMENSIONS WxDxH mm	Pallet Weight kgs
LN-FS42U8012-CC-EAAA	42U 19" Free Standing Cabinet W=800 mm D=1200 mm	800x1200x2053	42U	1867	2053	800	19"	1200	970	1	880x1280x2193	138	150	1	880x1280x2343	165
LN-FS45U8012-CC-EAAA	45U 19" Free Standing Cabinet W=800 mm D=1200 mm	800x1200x2187	45U	2000	2187	800	19"	1200	970	1	880x1280x2327	146	158	1	880x1280x2477	173
LN-FS47U8012-CC-EAAA	47U 19" Free Standing Cabinet W=800 mm D=1200 mm	800x1200x2276	47U	2089	2276	800	19"	1200	970	1	880x1280x2416	154	166	1	880x1280x2566	181

* Please add 30 mm to H mm once used with leveling feet, add 80 mm to H mm once used with castor set.

** See min and max adjustable depth variations on drawings.

***CC= LG for Light Grey RAL 7035 & BL for Black RAL 9005 for customers to define while ordering, for "EAAA" selection please see the door options.

***Cabinet nominal load capacity is 600 kgs. as per UL 2416 safety mark. However project case we configure the rack up to 1000 kgs. of load capacity with additional suport barsthicker 19" rails with 2 mm thickness, please add E (Enhanced notification defining load capacity requirement is up to 1000 kgs.) at the end of part number. Example LN-FS42U8012-BL-EAAA-E.

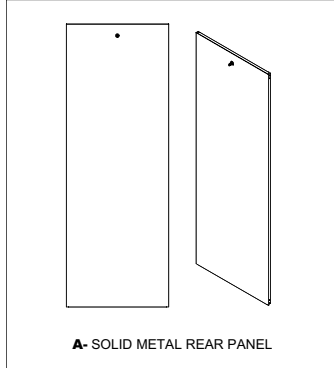
19" DYNAmic

Free Standing Cabinets

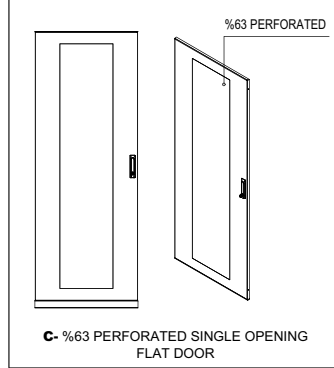
Width: 800 mm
Depth: 1200 mm

Door Options

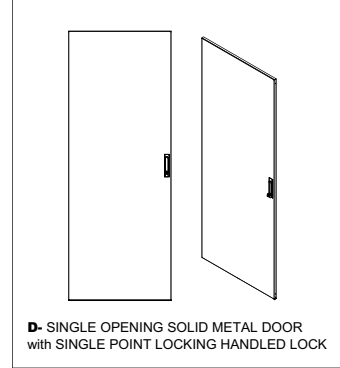
FRONT ❌ REAR ✔️



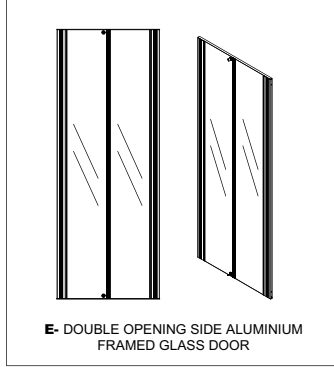
FRONT ✔️ REAR ✔️



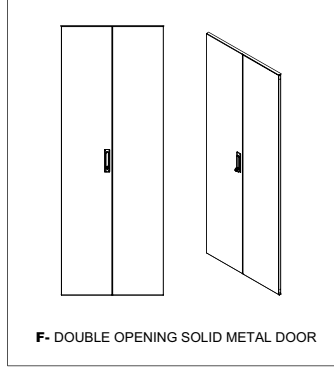
FRONT ✔️ REAR ✔️



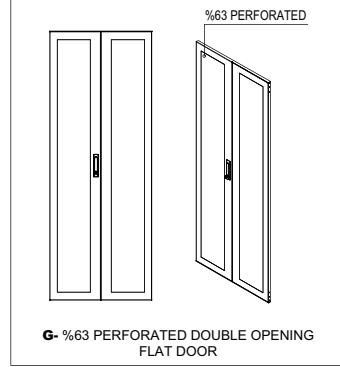
FRONT ✔️ REAR ❌



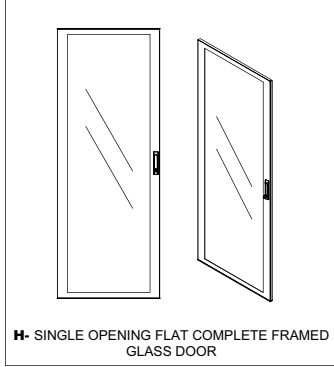
FRONT ✔️ REAR ✔️



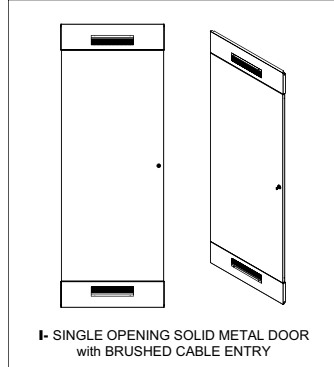
FRONT ✔️ REAR ✔️



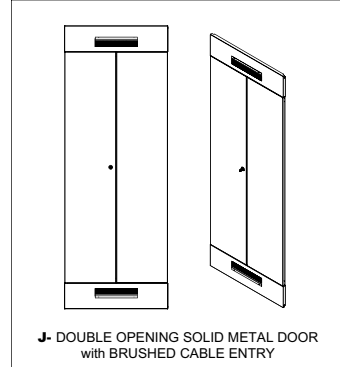
FRONT ✔️ REAR ❌



FRONT ❌ REAR ✔️



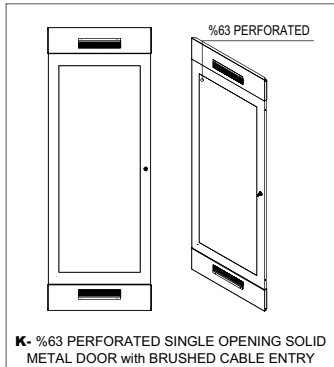
FRONT ❌ REAR ✔️



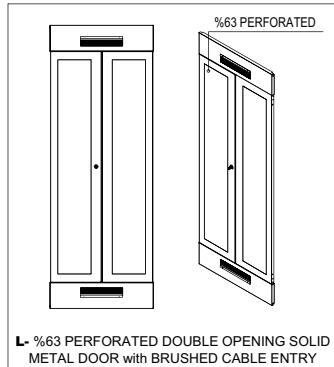
Not available for cabinets lower than 26U

Not available for cabinets lower than 26U

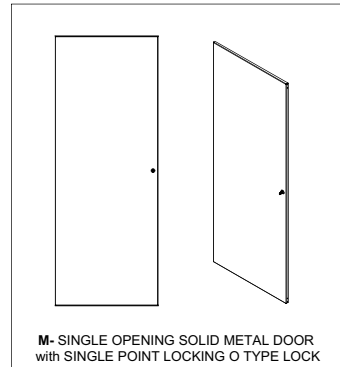
FRONT ❌ REAR ✔️



FRONT ❌ REAR ✔️



FRONT ❌ REAR ✔️



Not available for cabinets lower than 26U

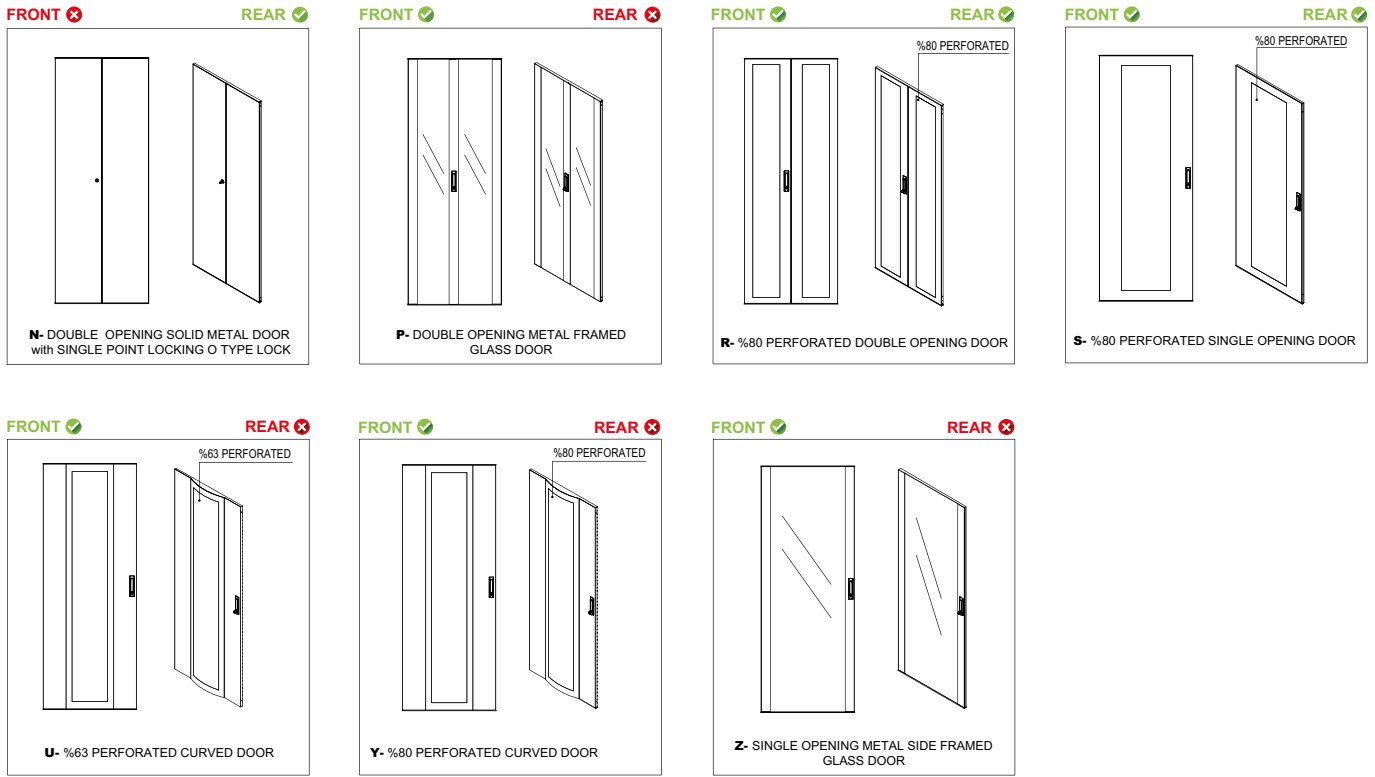
Not available for cabinets lower than 26U

19" DYNAmic

Free Standing Cabinets

Width: 800 mm
Depth: 1200 mm

Door Options



DYNAmic Free Standing Cabinet W=800 mm D=1200 mm All Heights FRONT DOOR Options	DYNAmic Free Standing Cabinet W=800 mm D=1200 mm All Heights REAR DOOR Options	DYNAmic Free Standing Cabinet W=800 mm D=1200 mm All Heights SIDE PANEL Options
C %63 perforated single opening flat door D Single opening solid metal door E Double opening side aluminium framed glass door F Double opening solid metal door G %63 perforated double opening flat door H Single opening flat complete framed glass door P Double opening metal framed glass door R %80 perforated double opening door S %80 perforated single opening door U %63 perforated curved door Y %80 perforated curved door Z Single opening metal side framed glass door	A Solid metal rear panel C %63 perforated single opening flat door D Single opening solid metal door F Double opening solid metal door G %63 perforated double opening flat door I Single opening solid metal door with brushed cable entry J Double opening solid metal door with brushed cable entry K %63 perforated single opening solid metal door with brushed cable entry L %63 perforated double opening solid metal door with brushed cable entry M Single opening solid metal door with header compatible N Double opening solid metal door with header compatible R %80 perforated double opening door S %80 perforated single opening door	AA Both sides equipped with standard side panels A0 One side panel on cabinet 00 No side panels on cabinet
LN-AA - XXU - WW - DD - CC - (E optional)		0 0 00
LN: Corporate codification beginning letters mentioning Lande in Short Format as LN AA: Family group of enclosure; FS for networking enclosures range XX: Numeric character defining the height of enclosures, depending on model differences between 42 to 47 to be selected from price list, website or catalogue U: U height alphanumeric notation, concrete (non editable- fixed character) WW: The first 2 digits of the width info, 80 for W=800 mm cabinets DD: The first 2 digits of the depth info, 12 for D=1200 mm cabinets CC: Color code, LG for Light Grey RAL 7035, BL for Black RAL 9005 E: Optional code extention for enhanced static load capacity up to 1000 kgs.		<div style="border: 1px solid black; padding: 5px; margin-bottom: 10px;"> C-D-F-G-H-P-R-S-U-Y-Z options, unless defined E type door will be in shipping configuration. </div> <div style="border: 1px solid black; padding: 5px; margin-bottom: 10px;"> C-D-F-G-I-J-K-L-M-N-R-S options, unless defined A type door will be in shipping configuration. </div> <div style="border: 1px solid black; padding: 5px;"> AA both sides equipped with standard side panels A0 one side panel on cabinet 00 no side panels on cabinet. </div>

19" DYNAmic

Free Standing Cabinets

Frequent Used Accesorry Selection Chart



Frequent Used Accessories DYNAmic Series Cabinets Sizes W:width mm D:depth mm								
* Product Description	w:600 x d:600 mm	w:600 x d:800 mm	w:600 x d:1000 mm	w:600 x d:1200 mm	w:800 x d:600 mm	w:800 x d:800 mm	w:800 x d:1000 mm	w:800 x d:1200 mm
Fixed shelves compatible with only Lande Cabinet	LN-RAF-SBT-D600-CC	LN-RAF-SBT-D800-CC	LN-RAF-SBT-D100-CC	LN-RAF-SBT-D100-CC	LN-RAF-SBT-D600-CC	LN-RAF-SBT-D800-CC	LN-RAF-SBT-D100-CC	LN-RAF-SBT-D100-CC
Fixed shelves universal multivendor	LN-RAF-SBT-D600-CC-UNV	LN-RAF-SBT-D800-CC-UNV	LN-RAF-SBT-D100-CC-UNV	LN-RAF-SBT-D100-CC-UNV	LN-RAF-SBT-D600-CC-UNV	LN-RAF-SBT-D800-CC-UNV	LN-RAF-SBT-D100-CC-UNV	LN-RAF-SBT-D100-CC-UNV
Heavy duty fixed shelves	-	-	LN-RAF-SBA-D100-CC	LN-RAF-SBA-D100-CC	-	-	LN-RAF-SBA-D100-CC	LN-RAF-SBA-D100-CC

*CC is color code: please insert BL for Black and LG for Light Grey on the part numbers while creating order.



Frequent Used Accessories DYNAmic Series Cabinets Sizes W:width mm D:depth mm								
* Product Description	w:600 x d:600 mm	w:600 x d:800 mm	w:600 x d:1000 mm	w:600 x d:1200 mm	w:800 x d:600 mm	w:800 x d:800 mm	w:800 x d:1000 mm	w:800 x d:1200 mm
Sliding Shelves	LN-RAF-HRK-D600-CC	LN-RAF-HRK-D800-CC	-	-	LN-RAF-HRK-D600-CC	LN-RAF-HRK-D800-CC	-	-
Heavy Duty Sliding Shelves	-	-	LN-RAF-HRA-D100-CC	LN-RAF-HRA-D100-CC	-	-	LN-RAF-HRA-D100-CC	LN-RAF-HRA-D100-CC

* CC is color code: please insert BL for Black and LG for Light Grey on the part numbers while creating order.



Frequent Used Accessories DYNAmic Series Cabinets Sizes W:width mm D:depth mm									
** Part Number	Product Description	w:600 x d:600 mm	w:600 x d:800 mm	w:600 x d:1000 mm	w:600 x d:1200 mm	w:800 x d:600 mm	w:800 x d:800 mm	w:800 x d:1000 mm	w:800 x d:1200 mm
LN-FAN-ONF-2FFS-CC	2 fan units on/off switched	✓	✓	✓	✓	✓	✓	✓	✓
LN-FAN-THM-2FFS-CC	2 fan units with thermostatic control unit	✓	✓	✓	✓	✓	✓	✓	✓
LN-FAN-ONF-4FFS-CC	4 fan units on/off switched	✓	✓	✓	✓	✓	✓	✓	✓
LN-FAN-THM-4FFS-CC	4 fan units with thermostatic control unit	✓	✓	✓	✓	✓	✓	✓	✓

** CC is color code: please insert BL for Black and LG for Light Grey on the part numbers while creating order.

*** For W600xD1200mm and W800xD1200mm cabinets, optionally a Fan Module with 6 fans can be supplied- however cabinet also needs to be specially configured- please keep contact with your sales representative.

19" DYNAmic

Free Standing Cabinets

Frequent Used Accesorry Selection Chart



Frequent Used Accesories DYNAmic Series Cabinets Sizes W:width mm D:depth mm									
* Part Number	Product Description	w:600 x d:600 mm	w:600 x d:800 mm	w:600 x d:1000 mm	w:600 x d:1200 mm	w:800 x d:600 mm	w:800 x d:800 mm	w:800 x d:1000 mm	w:800 x d:1200 mm
LN-KDG-YKD-1UKN-CC	Horizontal cable management panel 19" 1U 5 rings	✓	✓	✓	✓	✓	✓	✓	✓

* CC is color code: please insert BL for Black and LG for Light Grey on the part numbers while creating order.



Frequent Used Accesories DYNAmic Series Cabinets Sizes W:width mm D:depth mm									
Part Number	Product Description	w:600 x d:600 mm	w:600 x d:800 mm	w:600 x d:1000 mm	w:600 x d:1200 mm	w:800 x d:600 mm	w:800 x d:800 mm	w:800 x d:1000 mm	w:800 x d:1200 mm
LN-ZMN-TKR-5525-XX	Caster group 2 w/brakes 2 wo/brakes	✓	✓	✓	✓	✓	✓	✓	✓



Frequent Used Accesories DYNAmic Series Cabinets Sizes W:width mm D:depth mm									
Part Number	Product Description	w:600 x d:600 mm	w:600 x d:800 mm	w:600 x d:1000 mm	w:600 x d:1200 mm	w:800 x d:600 mm	w:800 x d:800 mm	w:800 x d:1000 mm	w:800 x d:1200 mm
LN-PRZ-SGT-1U6P-SC	PDU 6 way DIN49440 Schuko type with 1x16A cct breaker	✓	✓	✓	✓	✓	✓	✓	✓
LN-PRZ-ONF-1U6P-UK	PDU 6 way BS1363 UK type with on/off switch	✓	✓	✓	✓	✓	✓	✓	✓



Frequent Used Accesories DYNAmic Series Cabinets Sizes W:width mm D:depth mm									
Part Number	Product Description	w:600 x d:600 mm	w:600 x d:800 mm	w:600 x d:1000 mm	w:600 x d:1200 mm	w:800 x d:600 mm	w:800 x d:800 mm	w:800 x d:1000 mm	w:800 x d:1200 mm
LN-DGR-KFS-M620-XX	Mounting hardware, fixing M6 cage nut set of 20	✓	✓	✓	✓	✓	✓	✓	✓

19" DYNAmic Free Standing Cabinets

Our Recommended Products

Environmental Monitoring and Management System



A full range of Environmental Management System modules are available, standalone or Networked to allow local or remote monitoring which allows Administrators to effectively manage your valuable assets, options for Camera's, Smoke sensors, Temperature and Humidity sensors, Moisture Sensors, and access sensors.

Advantages, Remote monitoring of multiple sites, High security and internal audit capability, Corrective and preventive actions, Instant and retrospective reporting and analysis.

Access Control Systems



A full of Access Control and Locking systems available for to whole Lande range, from round key locked single point, swing lock three-point locking, combination locks, Keypad locking, RFID Card reader locking, Finger print readers and Retina (Eye) Reader Locking.

If integrated with Lande EMS systems, remote monitor locking can be achieved.

Power Distribution Unit



A complete range of Power Distribution Units are available from Basic economical units or full remote monitoring intelligent Units, IEC320 C13, BS 3pin UK type, DIN 49440 Schuko, 16A Breaker and Surge protection, 19" Horizontal and Vertical units either basic on/off switch to intelligent units with built in network point to allow multiple remote monitoring of various sites are available.



CONTACT DETAILS

Headquarters

Address:

Merve Mah. Gazi Cad. No: 17 **Phone:** +90 216 312 26 53
Sancaktepe - İstanbul / TURKEY **Fax** : +90 216 312 09 09

Factory

Address:

20. Cadde No: 14 Eskişehir **Phone:** +90 222 236 24 66 pbx
Organize San. Bölge. 26110 **Fax** : +90 222 236 13 53
Eskişehir / TURKEY

www.lande.com.tr | sales@lande.com.tr

