

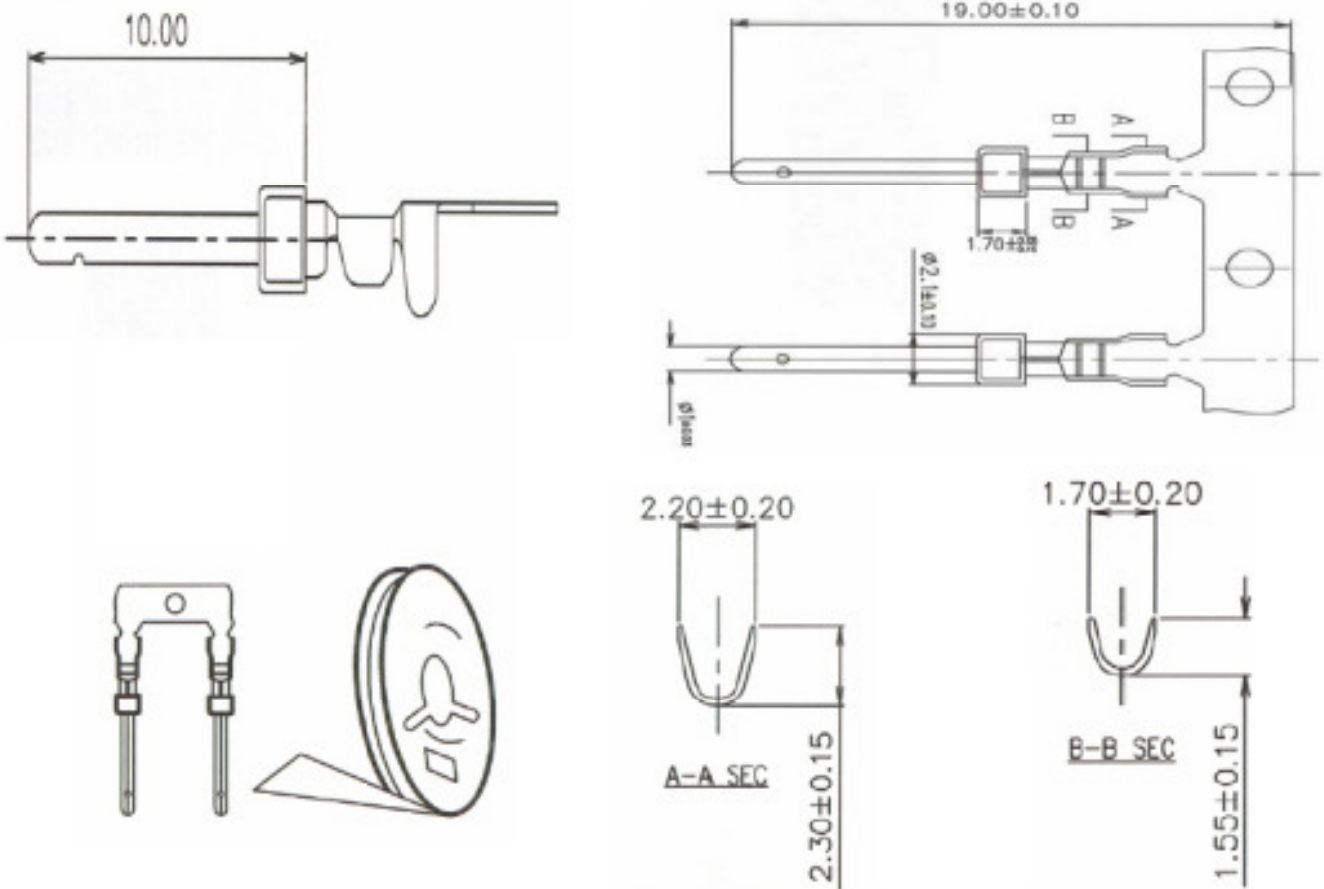
# D-SUB Crimp Pin

## SPECIFICATION

Plating : Gold Flash, Selective

Material: Brass Wire requestment: 28 ~ 24 AWG

44-049 - D-SUB Male crimp contact (strip of 100)



Material: Phosphor Bronze Wire requestment: 28 ~ 24 AWG

44-048 - D-SUB Female crimp contact (strip of 100)

