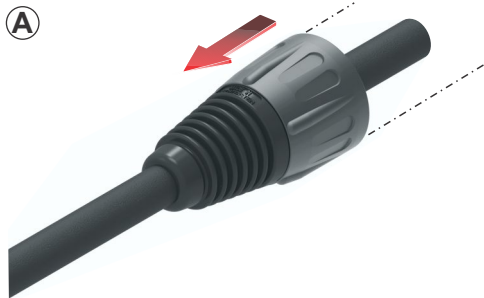




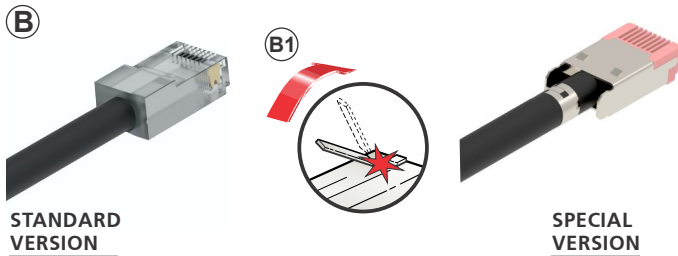
# ASSEMBLY INSTRUCTION

## etherCON® | NE8MX-1 & NE8MX-B-1

### Ruggedized RJ45 Data Cable Connector Carrier

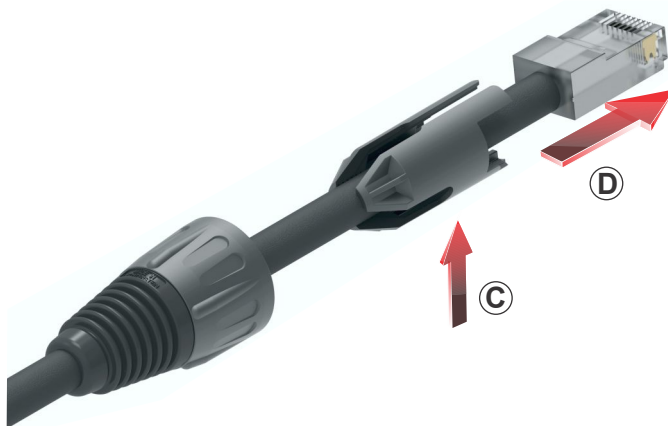


Ⓐ Slide the bushing over the cable.

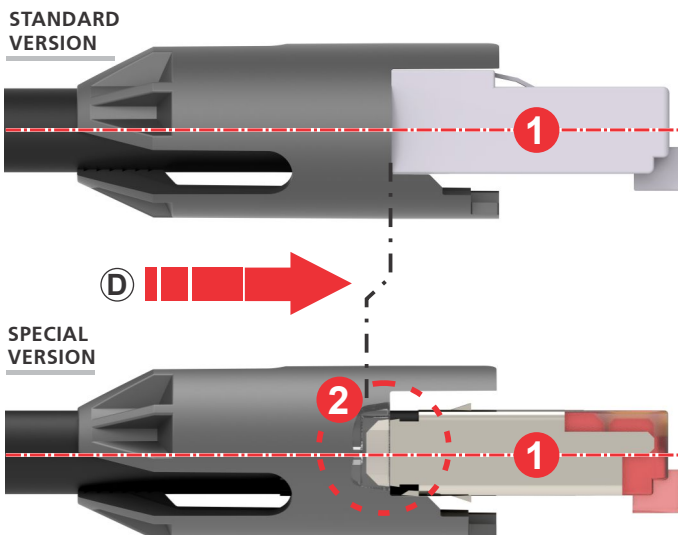


Ⓑ Assemble the RJ45 plug on the cable.

Ⓑ1 Cut off the release tab of RJ45 plug.



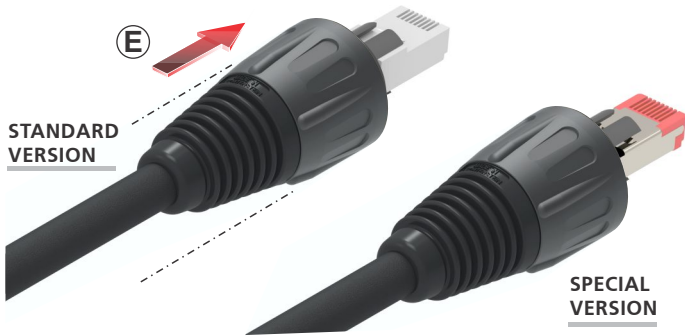
Ⓒ Put the chuck onto the cable.  
Align the opening with the contact side.



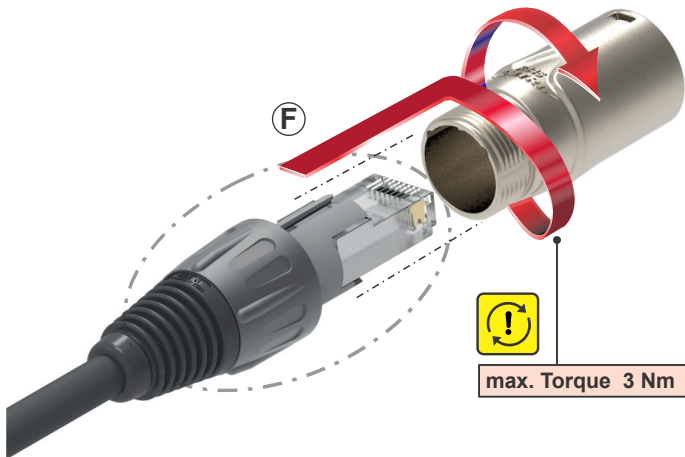
Ⓓ Position the RJ45 in the chuck.

#### Attention:

- 1 RJ45 must be straight.
- 2 Special versions must engage in the inner recess of the chuck.



**E** Position the bushing onto the chuck.



**F** Slide the unit (insert and boot) into the housing and tighten the bushing with max. torque 3 Nm (2.2 lb-ft).



**G** CAUTION:

There is no overlap allowed.

**FINISHED etherCON® NE8MX-1:**



Find more etherCON® details on [www.neutrik.com](http://www.neutrik.com).



NEUTRIK AG	LI	T: +423/237 24 24	F: +423/232 53 93	NEUTRIK France	FR	T: +33 1/4131 6750	F: +33 1/4131 0511
NEUTRIK USA Inc.	USA	T: +1 704 / 972 3050	F: +1 704/438 9202	NEUTRIK Tokyo Ltd.	JP	T: +81 3/3663 4733	F: +81 3/3663 4796
NEUTRIK (UK) Ltd.	UK	T: +44 1983 / 811 441	F: +44 1983/811 439	NEUTRIK Hong Kong Ltd.	HK	T: +852/2687 6055	F: +852/2687 6052
NEUTRIK Vertriebs GmbH	DE/NL/AT/DK	T: +49 8131 / 280 890	F: +49 8131/280 830	NEUTRIK India Pvt. Ltd.	IND	T: +91/982 05 43 424	F: +91/22 26163 540

Draft. Nr.: BDA 564 | Update: 14.12.2018 | Data subject to change without prior notice. ©2018 NEUTRIK®. ALL RIGHTS RESERVED. NEUTRIK® & etherCON® are registered trademark.