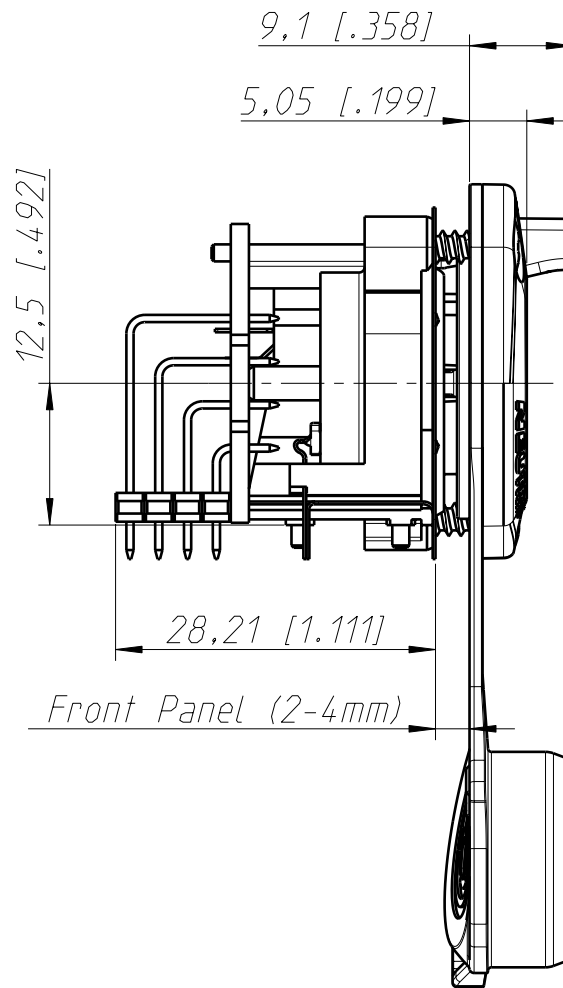
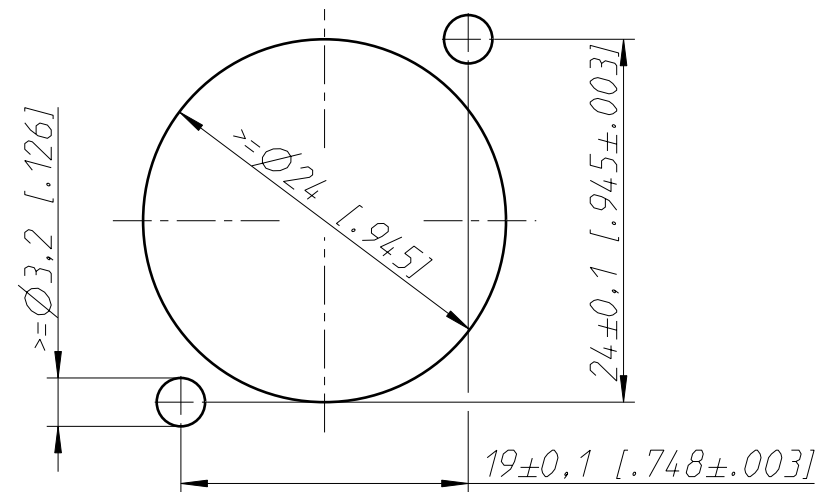
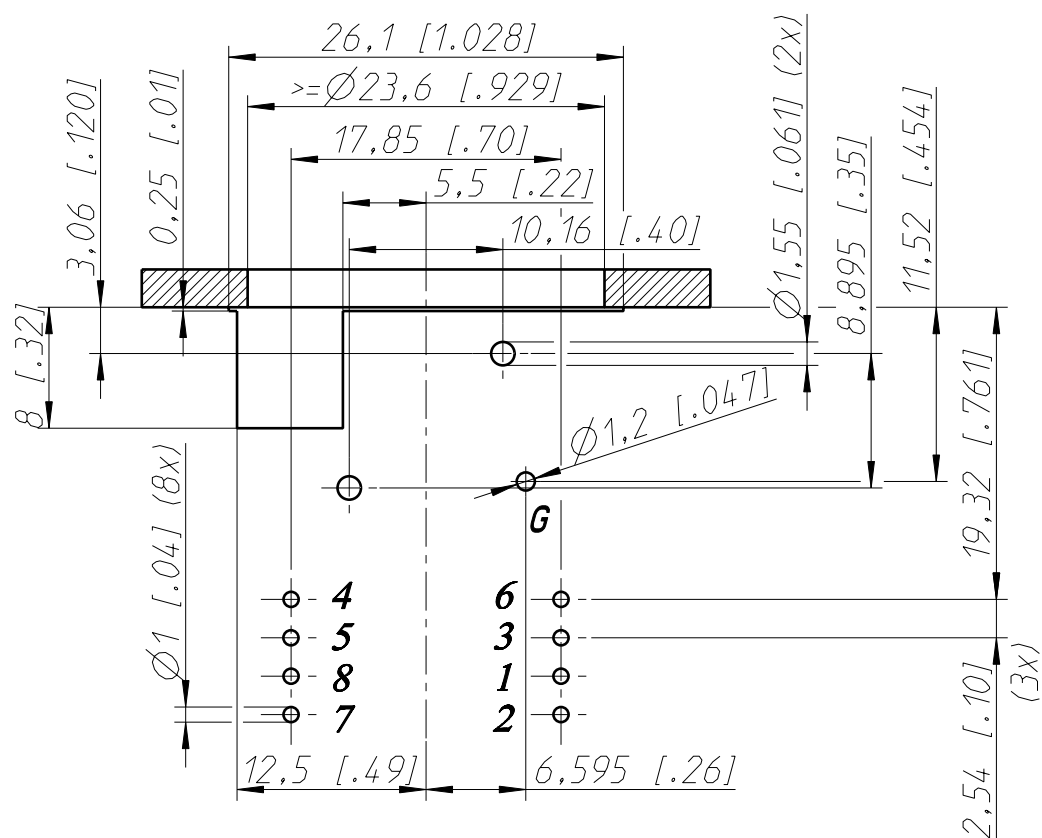
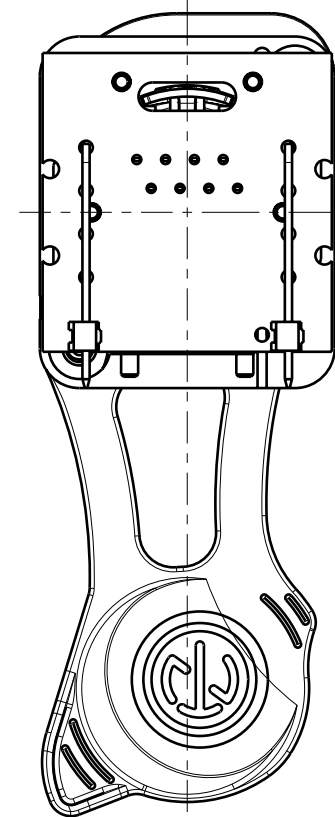


PCB-Layout (component side)
Print Bohrplan (Bestueckungsseite)



Frontplattenausschnitt (Rueckseite)
panel cut out (rear side)



General tolerances ISO 2768-m	Scale	Date	Name
Refer to protection notice ISO 16016.	3:2 (A3)	11.10.17	Ender
Name		Drawn	
		Modified	-
		Change-No.	Sheet-No.
		-	1 / 1
		Index	-
NE8FDH-C5E-TOP		Replacement for:	
NEUTRIK		Drawing-No.	
		ST-NE8FDH-C5E-TOP	