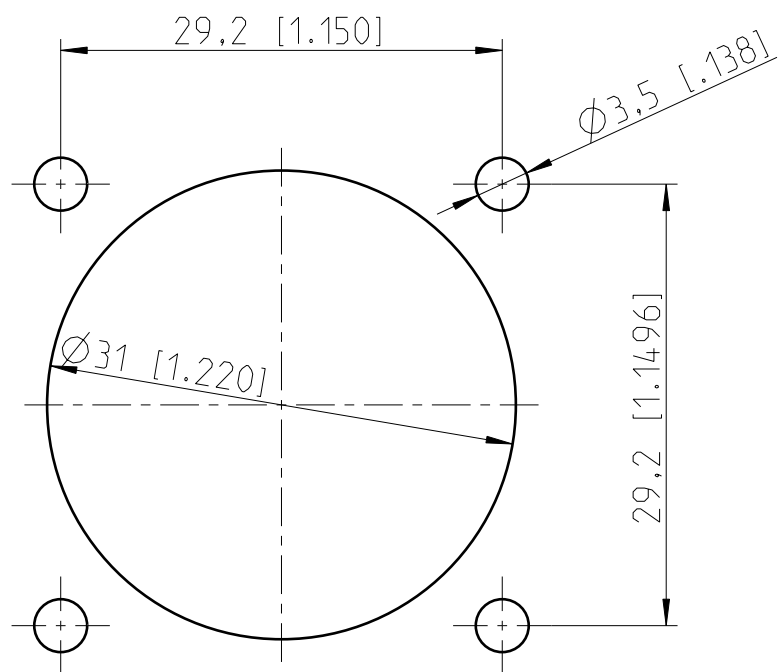


Panel Cut Out



Sheet Number 1/1	Projection ⊞	Scale 2:1	Format A3	Tolerancing ISO 2768-mK	
ECN Number		Created 10.06.2020	sfr		
Description ST-NLT4MPXX			Modified n.a.	n.a.	
			Approved		
			Status		
NEUTRIK		3D Model ID NLT4MPXX	Document ID DRW 00000220	Revision -	