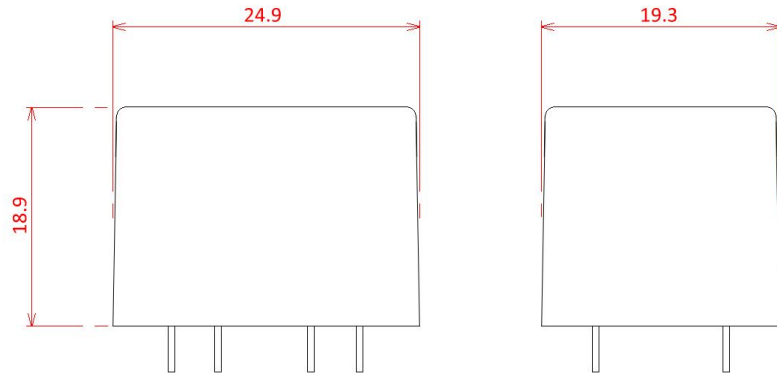
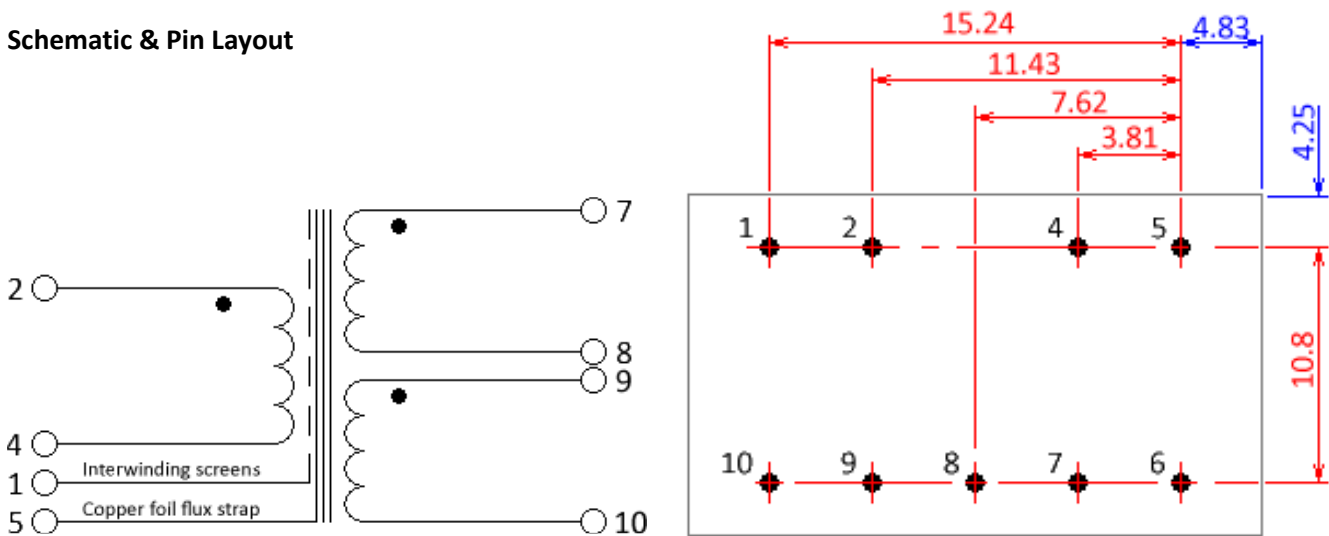


23-064 OEP Z21807C TRANSFORMER Analogue audio, PCB, bridging input



Suitable for line level input stages (10k – 20k ohm bridging).

Schematic & Pin Layout



Specifications

Turns ratio		1:0.5 + 0.5
Dimensions	(L x W x H)	24.9 x 19.3 x 18.9mm
Pin diameter		0.71mm
Weight		45g
Optimum secondary load	(parallel)	100k//2n7 series 2k70

		Min	Typ	Max
Primary DC resistance	(Pins 2 – 4)		1k8Ω	
Secondary 1 DC resistance	(Pins 7 - 8)		715Ω	
Secondary 2 DC resistance	(Pins 9 - 10)		1k1Ω	
LF	* (-3dB point)		5Hz	10Hz
HF	* (-3dB point)	80kHz	100kHz	
40Hz max level	(3% THD)	+22dBu	+23dBu	
THD	(-10dBu, 1kHz)		0.003%	0.006%
CMRR	* (10kHz)	60dB	85dB	
CMRR	* (50Hz)	130dB		

- * Optimum secondaries in parallel & optimum termination, screen & case, (pins 1 & 5), grounded.
- Unused pins should be left floating with minimal pad size for best performance
- Pin 6 no connection
- Pin 3 removed for orientation
- All dimensions +/- 0.2mm unless otherwise stated